

iQ parts
IQ-PARTS-SHOP.COM



**SPECS &
INFORMATION**



W5

SUPRA W5 Hose Clamp AISI 316 Stainless Steel

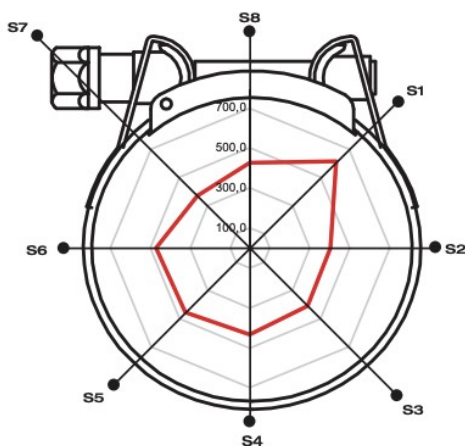
Due to its revolutionary swiveling bridge, Supra W5 can be mounted in the most awkward applications without having to remove the hose. It can be opened and fastened again when in place without dislodging any other parts of the clamp, making assembly much easier.

The high-strength bolt designed and manufactured by Mikalor specifically for this clamp, together with the captive nut and spacer system allow you to clamp the most demanding of hose assemblies. This top of the range heavy-duty clamp is ideal for marine applications, foodstuff manufacture, pharmaceutical and petrochemical industries and other applications where AISI 316 stainless steel fittings are required. The Supra W5 clamp complies fully with the Directive EU 20032/95/EC.

** Special dimensions can be manufactured on request.*

** The maximum application pressure can vary depending on the type of hose used and the geometry of the coupling.*

Application Ø									
mm	Part n°	r	e	a	b	Maximum values		Box Quantity (MOQ)	Outer Packing
						Torque (Nm)	Pressure(Bars)		
17-19	0301361-4	M6	8	18 ⁺⁰²	19,8	10	40	50	400
19-21	0301362-2	M6	8	18 ⁺⁰²	19,8	10	40	50	400
21-23	0301363-0	M6	8	18 ⁺⁰²	19,8	10	40	50	400
23-25	0301364-9	M6	8	18 ⁺⁰²	19,8	10	40	50	400
25-27	0301365-7	M6	8	18 ⁺⁰²	19,8	10	40	50	400
27-29	0301366-5	M6	8	18 ⁺⁰²	19,8	10	40	50	200
29-31	0301367-3	M7	10	20 ⁺⁰³	22	12	35	50	50
31-34	0301368-1	M7	10	20 ⁺⁰³	22	12	35	50	50
34-37	0301369-0	M7	10	20 ⁺⁰³	22	12	35	50	50
37-40	0301370-2	M7	10	20 ⁺⁰³	22	12	35	50	50
40-43	0301371-0	M7	10	20 ⁺⁰³	22	12	35	50	50
43-47	0301372-9	M7	10	20 ⁺⁰³	22	12	35	50	50
47-51	0301373-7	M7	10	20 ⁺⁰³	22	16	30	50	50
51-55	0301374-5	M7	10	20 ⁺⁰³	22	16	30	25	25
55-59	0301375-3	M7	10	20 ⁺⁰³	22	16	30	25	25
59-63	0301376-1	M7	10	20 ⁺⁰³	22	16	30	25	25
63-68	0301377-0	M7	10	20 ⁺⁰³	22	16	30	25	25
68-73	0301378-8	M8	13	25 ⁺⁰⁴	27,5	30	20	25	25
73-79	0301379-6	M8	13	25 ⁺⁰⁴	27,5	30	20	25	25
79-85	0301380-9	M8	13	25 ⁺⁰⁴	27,5	30	20	25	25
85-91	0301381-7	M8	13	25 ⁺⁰⁴	27,5	30	15	25	25
91-97	0301382-5	M8	13	25 ⁺⁰⁴	27,5	30	15	25	25
97-104	0301383-3	M8	13	25 ⁺⁰⁴	27,5	30	15	25	25
104-112	0301384-1	M8	13	25 ⁺⁰⁴	27,5	30	10	25	25



Polar Diagram

● Sectors	S1	S2	S3	S4	S5	S6	S7	S8
— 35 Nm	611,0	404,0	410,0	435,0	456,0	472,0	372,0	428,0

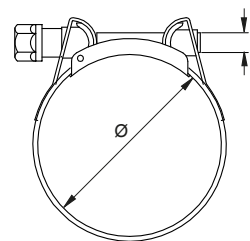
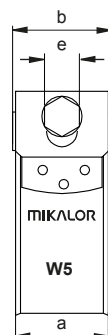
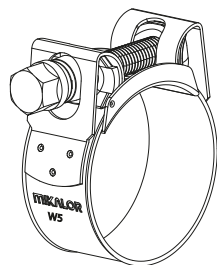
Torque / Efficiency [Nm / daN]

Application Ø									
mm	Part n°	r	e	a	b	Maximum values		Box Quantity (MOQ)	Outer Packing
						Torque (Nm)	Pressure (Bars)		
112-121	0301385-0	M8	13	25 ⁺⁰⁴	27,5	30	10	25	25
121-130	0301386-8	M8	13	25 ⁺⁰⁴	27,5	30	10	25	25
130-140	0301387-6	M10	17	28 ⁺⁰⁴	31	45	6	10	10
140-150	0301388-4	M10	17	28 ⁺⁰⁴	31	45	6	10	10
150-162	0301389-2	M10	17	28 ⁺⁰⁴	31	45	6	10	10
162-174	0301390-5	M10	17	28 ⁺⁰⁴	31	45	3	10	10
174-187	0301391-3	M10	17	28 ⁺⁰⁴	31	45	3	10	10
187-200	0301392-1	M10	17	28 ⁺⁰⁴	31	45	3	10	10
200-213	0301393-0	M10	17	28 ⁺⁰⁴	31	45	3	10	10
213-226	0301394-8	M10	17	28 ⁺⁰⁴	31	45	3	10	10
226-239	0301395-6	M10	17	28 ⁺⁰⁴	31	45	3	10	10
239-252	0301396-4	M10	17	28 ⁺⁰⁴	31	45	3	10	10
252-265	0301397-1	M10	17	28 ⁺⁰⁴	31	45	3	10	10
265-278	0301398-1	M10	17	28 ⁺⁰⁴	31	45	3	10	10
278-291	0301398-2	M10	17	28 ⁺⁰⁴	31	45	3	10	10
291-304	0301398-3	M10	17	28 ⁺⁰⁴	31	45	3	10	10
304-317	0301398-4	M10	17	28 ⁺⁰⁴	31	45	3	10	10
317-330	0301398-5	M10	17	28 ⁺⁰⁴	31	45	3	10	10
330-343	0301398-6	M10	17	28 ⁺⁰⁴	31	45	3	10	10
343-356	0301399-1	M10	17	28 ⁺⁰⁴	31	45	3	10	10
356-369	0301399-2	M10	17	28 ⁺⁰⁴	31	45	3	10	10
369-382	0301399-3	M10	17	28 ⁺⁰⁴	31	45	3	10	10
382-395	0301399-4	M10	17	28 ⁺⁰⁴	31	45	3	10	10
395-408	0301399-5	M10	17	28 ⁺⁰⁴	31	45	3	10	10

* It is recommended to apply 75% of the maximum values contained in the table.

* Special dimensions can be manufactured on request.

TECHNICAL INFORMATION	
MATERIAL	BAND AND BRIDGE: STAINLESS STEEL X5CrNiMo1712 AISI-316 SCREW: STAINLESS STEEL AISI-316 Cu
FINISH	STAINLESS STEEL
CORROSION RESISTANCE	1000 HOURS SALT SPRAY (ASTM B-117)
MAXIMUM TIGHTENING SPEED (RPM)	540 ±5





info@iq-parts.nl
Harsweg 34A
2461 EZ Ter Aar
T +31 252 624 126
The Netherlands