



Wire Clip with screw

This clip was specially designed for use with hoses incorporating an outer helix. It is generally used when installing ventilation ducting or in white goods applications.

The double-wire construction of this clip means that it sits comfortably on either side of the helix and can then be clamped down firmly thanks to the screw-tightening system.

* The maximum application pressure can vary depending on the type of hose used and the geometry of the coupling.

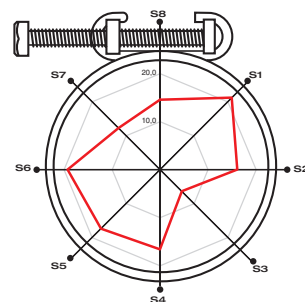
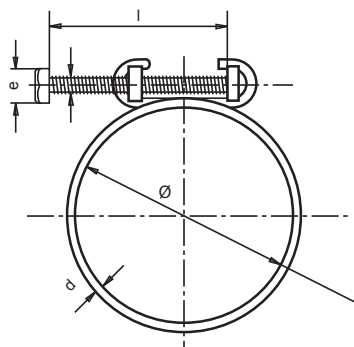
* Special diameters are available on request

W1

AAT Wire clip with screw W1

Application Ø		Part n° W1	Nominal application Ø	d	e	l	h max	Box quantity (MOQ)	Packing
mm	inches								
9,5-12	3/8-15/32	03030015	11,0	1,5	5,5	20	11,3	500	2000
10,5-13	13/32-33/64	03030023	11,5	1,5	5,5	20	11,3	500	2000
11,5-14	29/64-35/64	03030031	12,5	1,5	5,5	20	11,3	500	2000
12,5-15	31/64-19/32	03030040	13,0	1,5	5,5	20	11,3	500	2000
13,0-16	33/64-5/8	03030058	14,0	1,8	5,5	25	11,3	500	2000
13,5-17	17/32-43/64	03030066	15,0	1,8	5,5	25	11,3	500	2000
15,0-18	19/32-45/64	03030074	16,0	1,8	5,5	25	11,3	500	2000
15,5-19	39/64-3/4	03030082	17,0	1,8	5,5	25	11,3	500	2000
17,0-20	43/64-25/32	03030090	18,0	1,8	5,5	25	11,3	500	2000
17,5-21	11/16-53/64	03030103	18,5	1,8	5,5	25	11,3	500	2000
18,5-22	47/64-55/64	03030111	20,0	2,0	7,0	30	14,3	500	2000
19,0-23	3/4-29/32	03030120	20,5	2,0	7,0	30	14,3	500	2000
21,0-24	53/64-15/16	03030138	22,0	2,0	7,0	30	14,3	500	2000
21,5-25	27/32-63/64	03030146	23,5	2,2	7,0	30	14,3	500	2000
23,5-27	59/64-1-1/16	03030154	25,0	2,2	7,0	30	14,3	500	2000
25,0-29	63/64-1-9/64	03030162	27,0	2,2	7,0	30	14,3	200	800
27,0-31	1-1/16-1-7/32	03030170	29,0	2,2	7,0	30	14,3	200	800
29,0-33	19/64-1-19/64	03030189	31,5	2,2	7,0	30	14,3	200	800
30,5-35	1-13/64-1-3/8	03030197	33,0	2,2	7,0	30	14,3	200	800
33,0-37	1-19/64-1-29/64	03030200	37,0	2,2	7,0	30	14,3	200	800
35,5-40	1-25/64-1-37/64	03030218	38,5	2,2	7,0	30	14,3	200	800
38,5-43	1-33/64-1-11/16	03030226	41,0	2,5	8,0	40	14,3	200	800
41,0-46	1-39/64-1-13/16	03030234	43,5	2,5	8,0	40	15,3	200	800
43,5-49	1-23/32-1-59/64	03030242	46,5	2,5	8,0	40	15,3	200	800
46,5-53	1-53/64-2-3/32	03030250	50,5	2,5	8,0	40	15,3	100	400
50,5-56	1-63/64-2-13/64	03030269	53,5	2,5	8,0	40	15,3	100	400
53,5-60	2-7/64-2-23/64	03030277	56,5	2,8	10,0	50	15,3	100	400
56,5-64	2-7/32-2-33/64	03030285	60,0	2,8	10,0	50	18,6	100	400
60,0-68	2-23/64-2-43/64	03030293	64,0	2,8	10,0	50	18,6	100	400
64,0-72	2-33/64-2-53/64	03030306	68,5	2,8	10,0	50	18,6	100	400
68,5-76	2-45/64-2-63/64	03030314	72,5	3,0	10,0	50	18,6	100	400

W1 Wire: Steel wire B-UNI 3823 **Screw:** 6.6 grade steel Cr3 zinc-plated



Polar Diagram

● Sectors S1 S2 S3 S4 S5 S6 S7 S8

— 1 21,4 15,8 6,8 17,0 17,3 19,4 12,3 14,5

Torque / Efficiency [Nm / daN]