

iQ parts
IQ-PARTS-SHOP.COM



**SPECS &
INFORMATION**



Assortment Boxes

In order to provide you with the hose clip which most adequately suits your needs, we have developed a wide range of hose clip assortment boxes.

The different diameters of clip are arranged in individual compartments, making it easy to find the appropriate size.

The sturdy plastic case is also very convenient for transporting the product. All Mikalor assortment boxes include the appropriate tool for assembling the clip in question. In the case of the worm-drive assortments, each case contains a flexible hex-socket screwdriver which can be used to tighten Mikalor worm-drive clips in all sorts of application zones.

The two ear clip assortment boxes contain a pair of side-closing ear clip pincers.

Contents of the ASFA "L" assortments

Part n°	Ø 8-16 Units	Ø 12-22 Units	Ø 16-27 Units	Ø 0-32 Units	Ø 25-40 Units	Ø 30-45 Units	Ø 32-50 Units	Ø 40-60 Units	Ø 50-70 Units	Ø 60-80 Units	Ø 70-90 Units	Flexidriver	Bandwidth	Material
03503010	60	40	40	20	20	20	10	10	6	-	-	1	9 mm	W1
03503028	60	40	40	20	20	20	10	10	6	-	-	1	9 mm	W2
03503044	60	40	40	20	20	20	10	10	6	-	-	1	9 mm	W4
03503060	60	40	40	20	20	20	10	10	6	-	-	1	9mm/12mm	W5

Case: Yellow PVC **Insert:** High impact red polypropylene

Contents of the ASFA "S" assortments

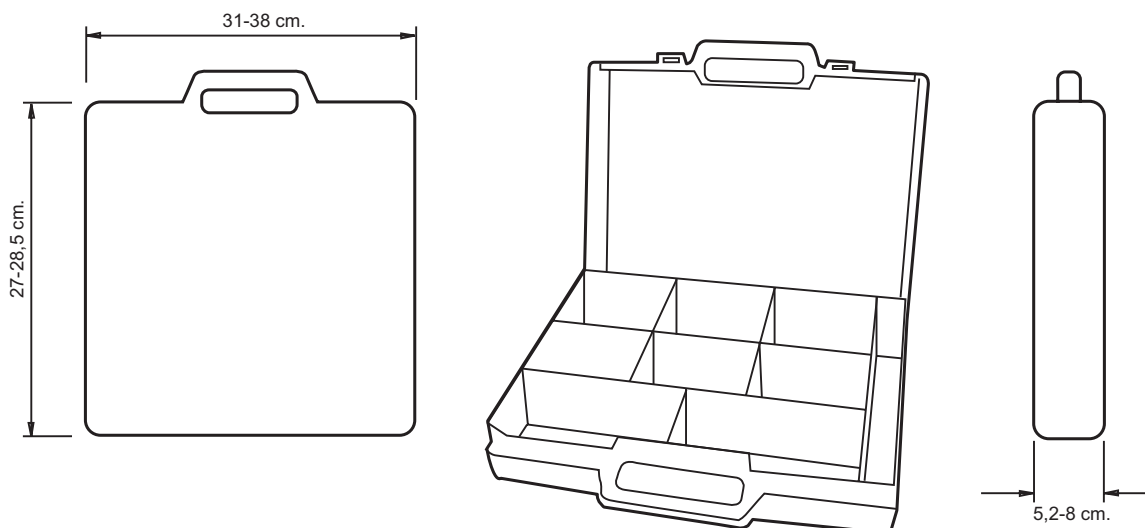
Part n°	Ø 8-16 Units	Ø 12-22 Units	Ø 16-27 Units	Ø 0-32 Units	Ø 25-40 Units	Ø 30-45 Units	Ø 32-50 Units	Ø 40-60 Units	Ø 50-70 Units	Ø 60-80 Units	Ø 70-90 Units	Flexidriver	Bandwidth	Material
03503087	-	-	25	20	12	-	8	6	6	5	5	1	12 mm	W1
03503095	-	-	25	20	12	-	8	6	6	5	5	1	12 mm	W2
03503108	-	-	25	20	12	-	8	6	6	5	5	1	12 mm	W4

Case: Yellow PVC **Insert:** High impact red polypropylene

Contents of the Two Ear Clip assortments

Part n°	Ø 5-7 Units	Ø 7-9 Units	Ø 9-11 Units	Ø 11-13 Units	Ø 13-15 Units	Ø 15-18 Units	Ø 17-20 Units	Ø 20-23 Units	Ø 22-25 Units	Pincers	Model	Material
03503116	50	50	50	50	50	50	30	25	20	1	TWO EAR	W1
03503124	50	50	50	50	50	50	30	25	20	1	TWO EAR	W4

Case: Black PVC with clear plastic lid **Insert:** High impact black polypropylene





info@iq-parts.nl
Harsweg 34A
2461 EZ Ter Aar
T +31 252 624 126
The Netherlands