

**iQ parts**  
IQ-PARTS-SHOP.COM



**SPECS &  
INFORMATION**

### Recommended Tightening Torque

Thread Size	Nylon 66		PP		PVDF	
	Nm	ft lb	Nm	ft lb	Nm	ft lb
1/8"	0.1	0.07	0.01	0.01	0.1	0.07
1/4"	0.8	0.6	0.3	0.2	1	0.8
3/8"	4	3	1	1	5	3
1/2"	6	4	2	2	8	6
3/4"	8	6	5	4	16	12
1"	10	7	8	6	26	19

### Fittings Tolerances (According to ISO 2768-c)

Size mm	Tolerance
1-6	±0.3
6-30	±0.5
30-120	±0.8

### Chemical Resistance

	Water		Acids		Detergents	
	Cold	Hot	Weak	Strong	Weak	Strong
LDPE	3	1	3	2	3	3
HDPE	3	3	3	3	3	3
Nylon 6-6	3	2	1	1	3	2
Polypropylene	3	3	3	2	3	3
Acetal	3	3	2	1	3	3
PVDF	3	3	3	3	3	3

1 - Bad   2 - Medium   3 - Good

### Note:

Notice tube dimension differ between industries.

Fittings' dimensions refer to tube ID or OD, with respect to the common application.

Use thread seal tape

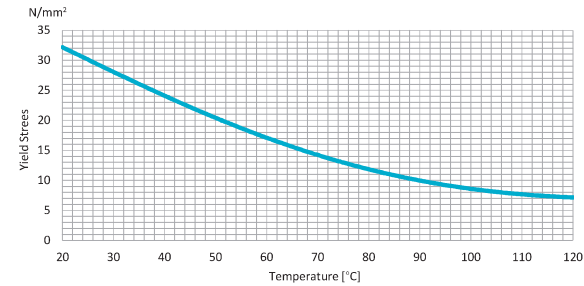


Minimum straight tube segment

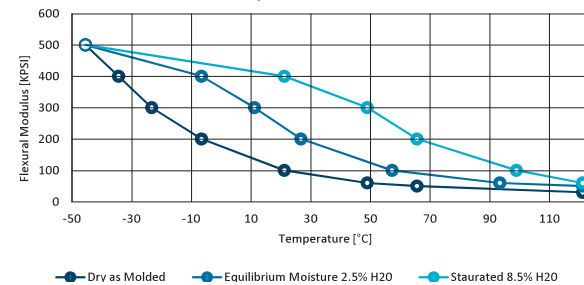


### PROPERTIES

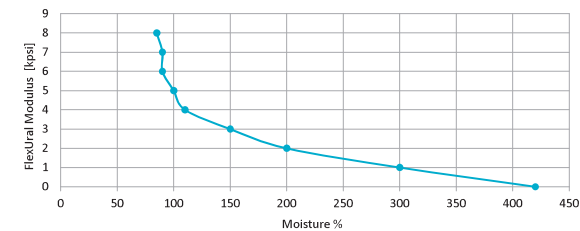
#### Yield stress of PP as a function of temperature

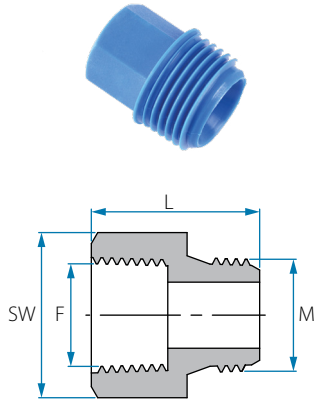


#### Flexural modulus VS. temperature



#### Flexural modulus VS. moisture content at 73 °F

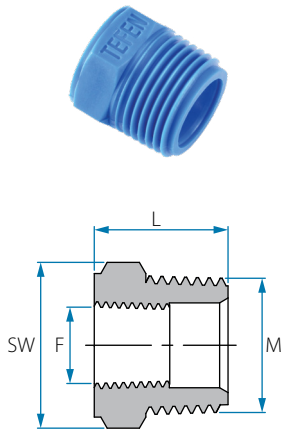




## NPT Pipe Adaptor

Cat. No.	F (NPT)	M (NPT)	L mm	SW	Color
12022002023	1/8"	1/8"	23.4	14	● Grey
12022002043	1/8"	1/4"	23.4	14	
12022002063	1/8"	3/8"	27.4	14	
12022002083	1/8"	1/2"	32.5	14	
12022004023	1/4"	1/8"	26.5	17	
12022004043	1/4"	1/4"	30.7	17	
12022004063	1/4"	3/8"	30.5	17	
12022004083	1/4"	1/2"	35.5	17	
12022006023	3/8"	1/8"	26.3	22	
12022006043	3/8"	1/4"	26.5	22	
12022006063	3/8"	3/8"	30.4	22	
12022006083	3/8"	1/2"	35.5	22	
12022008023	1/2"	1/8"	30.0	26	
12022008043	1/2"	1/4"	34.0	26	
12022008063	1/2"	3/8"	36.6	26	
12022008083	1/2"	1/2"	39.0	26	

Note: Packing 25 unit



## BSPT Pipe Bushing

Cat. No.	M (BSPT)	F (BSPT)	L mm	SW	Color
12011004028	1/4"	1/8"	172	14	● Blue
12011006028	3/8"	1/8"	178	17	
12011006048	3/8"	1/4"	178	17	
12011008028	1/2"	1/8"	20.7	22	
12011008048	1/2"	1/4"	20.4	22	
12011008068	1/2"	3/8"	20.7	22	
12011012048	3/4"	1/4"	22.0	27	
12011012068	3/4"	3/8"	22.2	27	
12011012088	3/4"	1/2"	22.4	27	

Note: Packing 25 unit

## NPT Pipe Bushing

Cat. No.	M (NPT)	F (NPT)	L mm	SW	Color
12021004023	1/4"	1/8"	21.0	15	● Grey
12021006023	3/8"	1/8"	20.8	18	
12021006043	3/8"	1/4"	20.8	19	
12021008023	1/2"	1/8"	27.2	24	
12021008043	1/2"	1/4"	27.1	19	
12021008063	1/2"	3/8"	27.2	29	
12021012043	3/4"	1/4"	27.0	29	
12021012063	3/4"	3/8"	27.2	29	
12021012083	3/4"	1/2"	27.3	29	

Note: Packing 25 unit





info@iq-parts.nl  
Harsweg 34A  
2461 EZ Ter Aar  
T +31 252 624 126  
The Netherlands