

iQ parts
IQ-PARTS-SHOP.COM



**SPECS &
INFORMATION**

Recommended Tightening Torque

Thread Size	Nylon 66		PP		PVDF	
	Nm	ft lb	Nm	ft lb	Nm	ft lb
1/8"	0.1	0.07	0.01	0.01	0.1	0.07
1/4"	0.8	0.6	0.3	0.2	1	0.8
3/8"	4	3	1	1	5	3
1/2"	6	4	2	2	8	6
3/4"	8	6	5	4	16	12
1"	10	7	8	6	26	19

Fittings Tolerances (According to ISO 2768-c)

Size mm	Tolerance
1-6	±0.3
6-30	±0.5
30-120	±0.8

Chemical Resistance

	Water		Acids		Detergents	
	Cold	Hot	Weak	Strong	Weak	Strong
LDPE	3	1	3	2	3	3
HDPE	3	3	3	3	3	3
Nylon 6-6	3	2	1	1	3	2
Polypropylene	3	3	3	2	3	3
Acetal	3	3	2	1	3	3
PVDF	3	3	3	3	3	3

1 - Bad 2 - Medium 3 - Good

Note:

Notice tube dimension differ between industries.

Fittings' dimensions refer to tube ID or OD, with respect to the common application.

Use thread seal tape

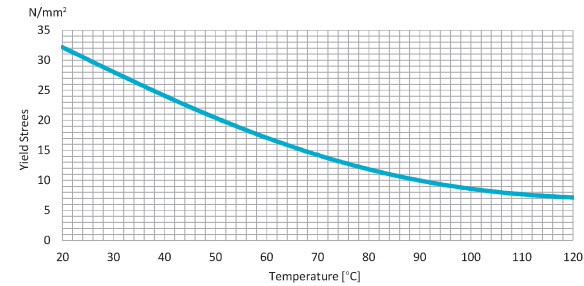


Minimum straight tube segment

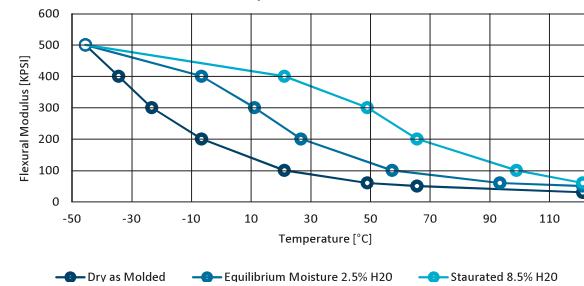


PROPERTIES

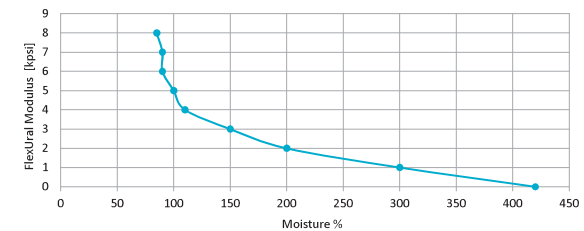
Yield stress of PP as a function of temperature

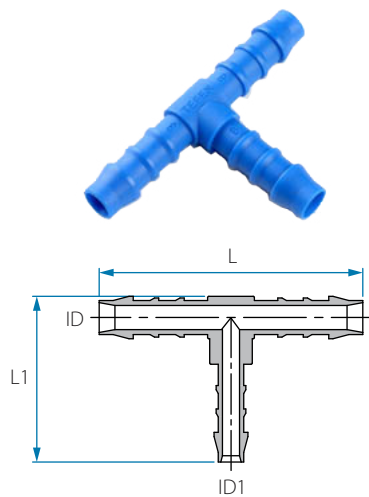


Flexural modulus VS. temperature



Flexural modulus VS. moisture content at 73 °F





Reducing T Hose Connector

Cat. No.	Tube ID mm	Tube ID1 mm	L mm	L1 mm	Color
12447245448	5	4	50.7	25.7	● Blue
12447246458	6	5	55.7	31.8	
12447248468	8	6	61.5	36.2	
12447250488	10	8	66.5	39.3	
12447252508	12	10	70.6	44.5	
12447254528	14	12	76.7	44.5	
12447256548	16	14	79.5	51.1	
12447259568	19	16	84.6	55.4	

Note: Packing 25 unit

Cat. No.	Tube ID inch	Tube ID1 inch	L mm	L1 mm	Color
12257203023	3/16"	5/32"	50.6	25.9	● Grey
12257204033	1/4"	3/16"	55.8	32.0	
12257205043	5/16"	1/4"	61.5	36.2	
12257206053	3/8"	5/16"	66.5	39.3	
12257208063	1/2"	3/8"	70.3	43.5	
12257209083	9/16"	1/2"	76.3	48.0	
12257210093	5/8"	9/16"	79.4	51.0	
12257212103	3/4"	5/8"	84.3	55.2	

Note: Packing 25 unit



info@iq-parts.nl
Harsweg 34A
2461 EZ Ter Aar
T +31 252 624 126
The Netherlands