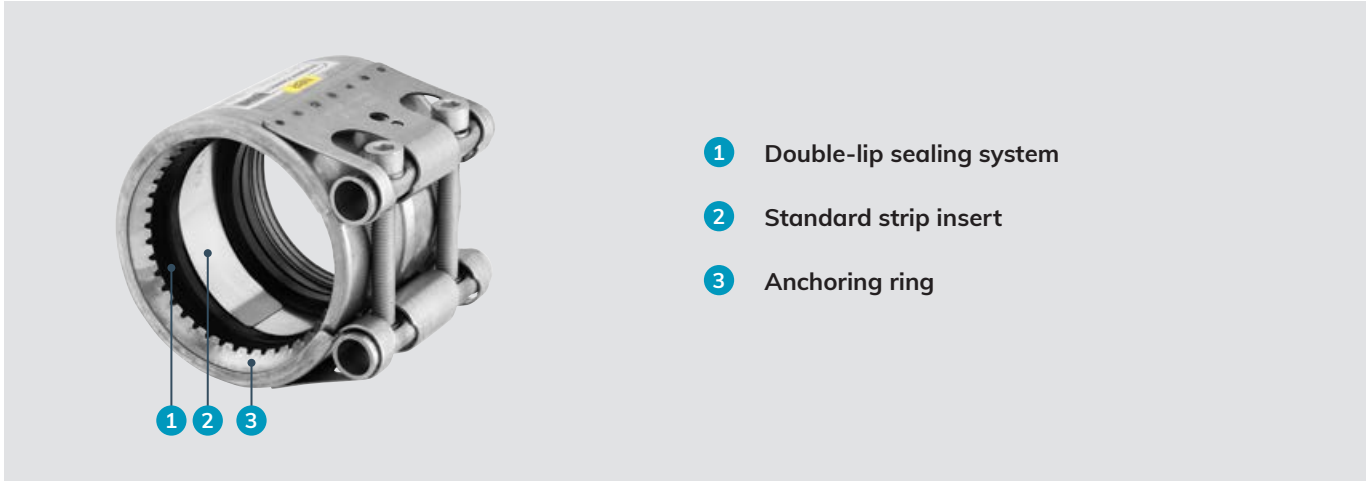


iQ parts
IQ-PARTS-SHOP.COM



**SPECS &
INFORMATION**



- 1 Double-lip sealing system
- 2 Standard strip insert
- 3 Anchoring ring

The combining pipe coupling

NORMACONNECT® COMBI GRIP/COMBI GRIP E axial restraint pipe couplings are used to connect plastic pipes with metal pipes.

On the side connecting the plastic pipe, the coupling has a special anchoring ring with rows of flat teeth which are pressed into the pipe surface without damaging the material. At the same time the force applied is distributed evenly across the pipe surface.

On the side connecting the metal pipe, the coupling has a different anchoring ring with conically stamped teeth which grip into the pipe surface. Due to the special design of the anchoring ring the coupling can withstand even high vibration loads. NORMACONNECT® COMBI GRIP E has hollow trunnions (smaller diameters). NORMACONNECT® COMBI GRIP has solid trunnions (larger diameters).

Advantages at a glance

- ✓ Corrosion resistant
- ✓ No welding
- ✓ No special tools necessary
- ✓ Installation and working in every kind of weather (hot and cold)
- ✓ Reusable

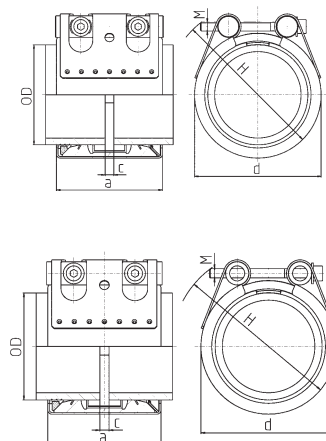
Information

- Sizes: from 38.0/40.0 mm to 400.0/406.0 mm
- Working pressure: 16.0 – 6.0 bar
- Material: AISI 304, AISI 316 Ti
- EPDM:
 - Sizes from 38.0 mm up to 160.0 mm: -30 °C up to +125 °C
 - Sizes > 200.0 mm: -20 °C up to +80 °C
- NBR: from -20 °C up to +80 °C

Materials

| W1 | W2 | W3 | W4 | W5 |
|----|----|----|----|----|
| | | | | x |

Technical data & Ordering information





NORMACONNECT® COMBI GRIP/COMBI GRIP E axial restraint pipe couplings are used to connect plastic pipes with metal pipes.



Advantages at a glance

- COMBI GRIP E has hollow trunnions (smaller diameters)
- COMBI GRIP has solid trunnions (larger diameters)

Material

W5

Technical data & Ordering information

| NORMACONNECT® FGR COMBI GRIP E | | | | | | | | | | | | | | |
|--------------------------------|----------------------------|---|-------------|---|---|------------------|-------------------------|-----------|-----------|---------------------------------|-----------------------------|-----------------------------------|-------------------|---------------|
| Ø (O.D.) | Designation | Clamping ranges O _{dmin} - O _{dmax} (mm) | | PN ¹  [bar] | WP ²  [bar] | C max (mm) | Dimensions (approx.) | | | Weight (approx.) (kg/pc.) | Hex socket locking bolts | | W5 Product No. | |
| | | Plastic | Metal | | | | a (mm) | d (mm) | H (mm) | | Thread | Tight- ening torque (Nm) | EPDM | NBR |
| 38.0 / 40.0 | Combi Grip E 38.0 / 40.0 | 39.0-40.5 | 37.5-38.6 | 10 | 16 | 8 | 62 | 60 | 80 | 0.46 | M 8 SW 6 | 15 | 0584 9360 038 | 0584 8660 038 |
| 40.0 / 42.4 | Combi Grip E 40.0 / 42.4 | 39.0-40.5 | 41.7-43.0 | 10 | 16 | 8 | 62 | 65 | 85 | 0.47 | M 8 SW 6 | 15 | 0584 9360 042 | 0584 8660 042 |
| 50.0 / 48.3 | Combi Grip E 50.0 / 48.3 | 47.6-51.0 | 47.6-50.5 | 10 | 16 | 8 | 62 | 70 | 90 | 0.5 | M 8 SW 6 | 15 | 0584 9360 048 | 0584 8660 048 |
| 56.0 / 54.0* | Combi Grip E 56.0 / 54.0 | 55.0-56.5 | 53.3-54.6 | - | 5* | 17 | 78 | 80 | 100 | 0.62 | M 8 SW 6 | 15 | 0584 9360 054 | 0584 8660 054 |
| 63.0 / 60.3 | Combi Grip E 63.0 / 60.3 | 62.0-63.5 | 59.5-61.0 | 10 | 16 | 17 | 78 | 85 | 105 | 0.65 | M 8 SW 6 | 20 | 0584 9360 060 | 0584 8660 060 |
| 75.0 / 76.1 | Combi Grip E 75.0 / 76.1 | 74.0-76.0 | 75.2-77.0 | 10 | 16 | 25 | 98 | 100 | 120 | 1.3 | M 10 SW 8 | 30 | 0584 9360 076 | 0584 8660 076 |
| 90.0 / 88.9 | Combi Grip E 90.0 / 88.9 | 89.0-91.0 | 87.0-89.9 | 10 | 16 | 25 | 98 | 110 | 130 | 1.39 | M 10 SW 8 | 30 | 0584 9360 088 | 0584 8660 088 |
| 110.0 / 108.0 | Combi Grip E 110.0 / 108.0 | 109.0-111.0 | 106.8-109.2 | 10 | 16 | 25 | 98 | 130 | 150 | 1.58 | M 10 SW 8 | 40 | 0584 9360 108 | 0584 8660 108 |
| 110.0 / 114.3 | Combi Grip E 110.0 / 114.3 | 109.0-111.0 | 113.0-115.5 | 10 | 16 | 25 | 98 | 135 | 155 | 1.62 | M 10 SW 8 | 40 | 0584 9360 110 | 0584 8660 110 |
| 140.0 / 139.7 | Combi Grip E 140.0 / 139.7 | 139.0-141.0 | 138.1-141.6 | 10 | 16 | 35 | 115 | 160 | 180 | 3.14 | M 12 SW 10 | 50 | 0584 9360 139 | 0584 8660 139 |
| 160.0 / 159.0 | Combi Grip E 159.0 / 160.0 | 159.0-162.0 | 157.3-160.7 | 10 | 16 | 35 | 115 | 180 | 200 | 3.45 | M 12 SW 10 | 60 | 0584 9360 159 | 0584 8660 159 |

| NORMACONNECT® FGR COMBI GRIP | | | | | | | | | | | | | | |
|------------------------------|--------------------------|---|-------------|---|---|------------------|-------------------------|-----------|-----------|---------------------------------|-----------------------------|-----------------------------------|-------------------|---------------|
| Ø (O.D.) | Designation | Clamping ranges O _{dmin} - O _{dmax} (mm) | | PN ¹  [bar] | WP ²  [bar] | C max (mm) | Dimensions (approx.) | | | Weight (approx.) (kg/pc.) | Hex socket locking bolts | | W5 Product No. | |
| | | Plastic | Metal | | | | a (mm) | d (mm) | H (mm) | | Thread | Tight- ening torque (Nm) | EPDM | NBR |
| 200.0 / 204.0 | Combi Grip 200.0 / 204.0 | 198.0-202.0 | 202.0-206.0 | - | 16 | 35 | 142 | 235 | 265 | 7.5 | M 12 SW 10 | 60 | 0584 8350 204 | 0584 8650 204 |
| 225.0 / 219.1 | Combi Grip 225.0 / 219.1 | 222.0-227.0 | 216.0-221.0 | - | 10 | 35 | 142 | 255 | 285 | 8.1 | M 12 SW 10 | 60 | 0584 8350 220 | 0584 8650 220 |
| 225.0 / 222.0 | Combi Grip 225.0 / 222.0 | 222.0-227.0 | 220.0-224.0 | - | 10 | 35 | 142 | 255 | 285 | 8.1 | M 12 SW 10 | 60 | 0584 8350 222 | 0584 8650 222 |
| 250.0 / 254.0 | Combi Grip 250.0 / 254.0 | 247.0-253.0 | 250.0-256.0 | - | 10 | 35 | 142 | 285 | 315 | 8.6 | M 12 SW 10 | 80 | 0584 8350 254 | 0584 8650 254 |
| 280.0 / 273.0 | Combi Grip 280.0 / 273.0 | 277.0-283.0 | 270.0-275.0 | - | 10 | 35 | 142 | 310 | 340 | 9.3 | M 16 SW 14 | 100 | 0584 8350 273 | 0584 8650 273 |
| 355.0 / 355.6 | Combi Grip 355.0 / 355.6 | 351.0-359.0 | 352.0-359.0 | - | 6 | 35 | 142 | 390 | 420 | 10.9 | M 16 SW 14 | 120 | 0584 8350 355 | 0584 8650 355 |
| 400.0 / 406.4 | Combi Grip 400.0 / 406.4 | 396.0-404.0 | 402.0-410.0 | - | 6 | 35 | 142 | 440 | 470 | 11.9 | M 16 SW 14 | 120 | 0584 8350 400 | 0584 8650 400 |

PN¹ (Nominal Pressure) is the max. admissible working pressure in shipbuilding, based on a safety factor of ≥ 4.

WP² is the max. working pressure in industrial applications, with a safety factor as per NORMA specification.

* Special coupling for joining metal pipes with PE-HD drainage pipes



info@iq-parts.nl
Harsweg 34A
2461 EZ Ter Aar
T +31 252 624 126
The Netherlands