

iQ parts
IQ-PARTS-SHOP.COM

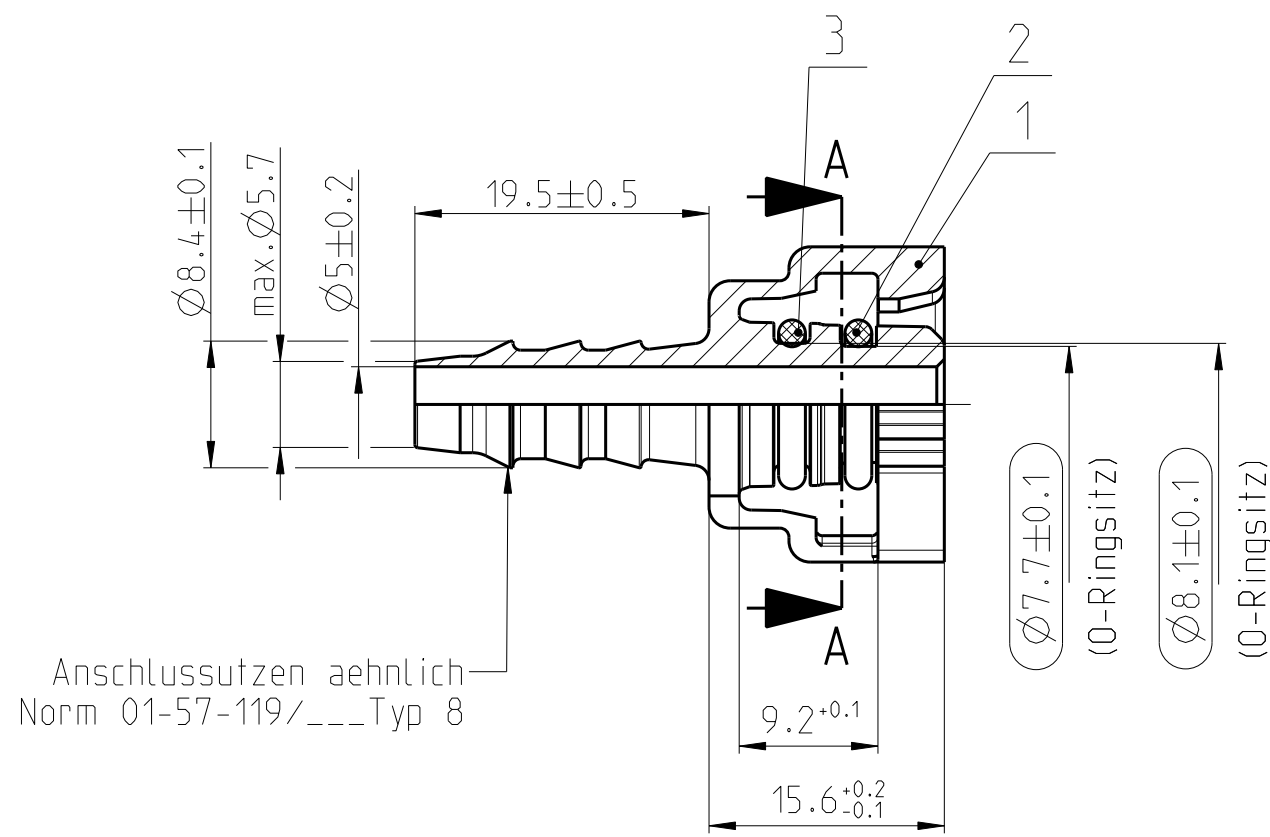


**SPECS &
INFORMATION**

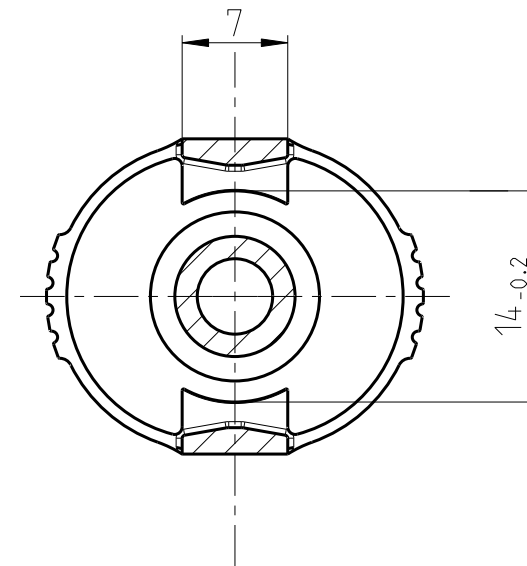
Fertigungszeichnung
MANUFACTURING DRAWING

Angebotszeichnung
QUOTATION DRAWING

| Teil-Nr. ITEM-NO. | Stueck QTY. | Benennung PART - NAME | Einzelteilnummer PART-NO. | Werkstoff MATERIAL | Rohstoffnummer MATERIAL-NO. | Oberflaeche SURFACE |
|----------------------|----------------|--------------------------|------------------------------|-----------------------|--------------------------------|------------------------|
| 1 | 1 | NORMAQUICK V2 NW 6-0* | 1713 8006 006 | PA6-GF30 | 2036 0100 031 | schwarz |
| 2 | 1 | O-RING 7.65 X 1.78 | 1067 8000 218 | FPM | - | schwarz |
| 3 | 1 | O-RING 7.65 X 1.78 | 1067 8000 220 | FVMQ | - | blau |



SCHNITT A-A



0713 8049 006

Zeichnungs-Nr./DRAWING-NO.:

Teil/PART Zeichng/DWG

| INDEX Teil PART | Zeichg DWG | Anz. QTY. | Aenderung DESCRIPTION | Aend.Nr. CHANGE-NO. | Datum DATE | Bearb. DRAWN | Gepr. CHECKED |
|---|---------------|---|--------------------------|---|---------------|--|------------------|
| - | - | - | - | - | - | - | - |
| - | - | - | - | - | - | - | - |
| - | - | - | - | - | - | - | - |
| - | - | - | - | - | - | - | - |
| Allgemeintoleranz: GENERAL TOLERANCE: | | Form- und Lagetoleranz: FORM AND POS. TOL.: | | Abmass fuer Winkel: DEVIATION FOR ANGLE: | | Gewicht / WEIGHT: errechnet CALCULATED | |
| DIN 16901-130 | | DIN ISO 2768 | | ±2° | | - - cm ³ | |
| Projektions-Methode 1 1st ANGLE PROJECTION DIN ISO 128-30 | | Material: see parts list Material-No.: see parts list Oberflaeche: see parts list SURF. QUAL.: | | PART NAME: NORMAQUICK V2 NW 6-0° | | | |
| NORMA-Patentnummer: PATENT NUMBER: | | Massstab: SCALE: 2:1 | | Datum/DATE 16.09.05 | | Name/NAME Schwab. Strauss | |
| | | | | Benennung: NORMAQUICK V2 NW 6-0° | | | |
| ZNE: - | | NORMA Germany GmbH Postfach 1149 • 63461 Maintal | | Zeichnungs-Nr./DRAWING-NO.: | | | |
| Ursprung/Anfrage: ENQUIRY-No.: | | Schutzvermerk nach ISO 16016 beachten CONSIDER AFTER PROTECTION NOTICE ISO 16016 | | 0713 8049 006 | | INDEX Teil/PART Zeichng/DWG | |
| 9900014485 | | © COPYRIGHT BY NORMA Group | | SUB.F.: - | | DIN A SHEET: 3 1 SH | |
| CAD-SYSTEM Pro/Engineer | | DRAWING-NAME: 07138049006 | | MODEL-NAME: 07138049006 | | SUB.FROM: - MODEL-TYP: ASSEM | |



info@iq-parts.nl
Harsweg 34A
2461 EZ Ter Aar
T +31 252 624 126
The Netherlands