

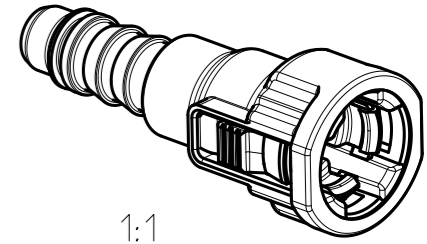
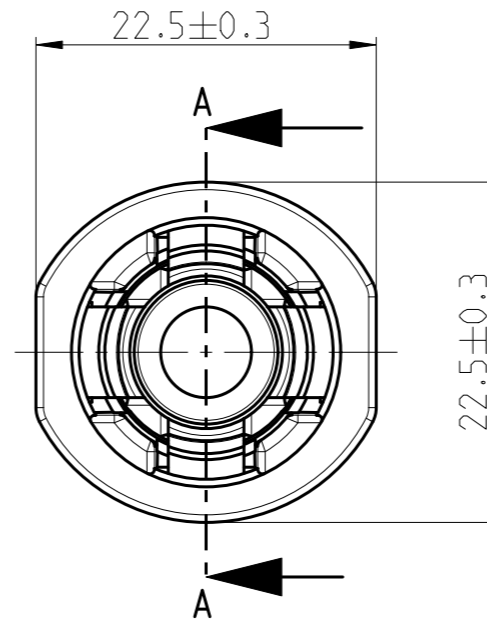
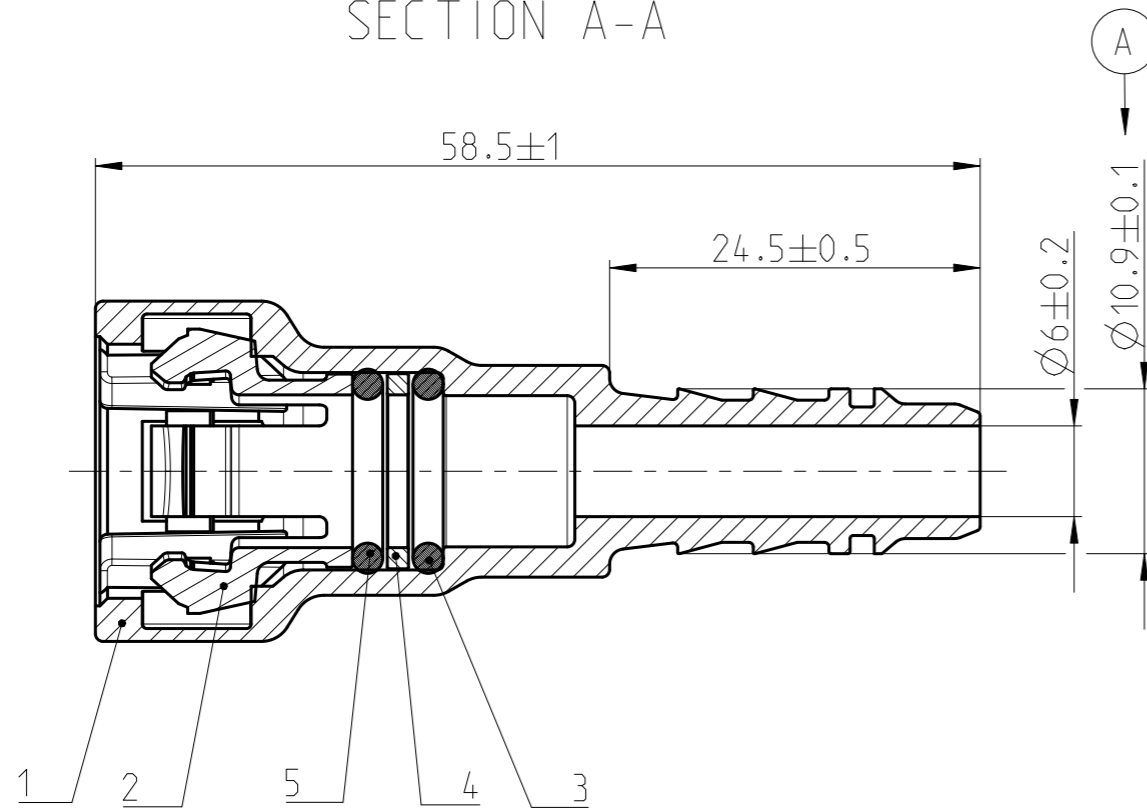
iQ parts
IQ-PARTS-SHOP.COM



**SPECS &
INFORMATION**

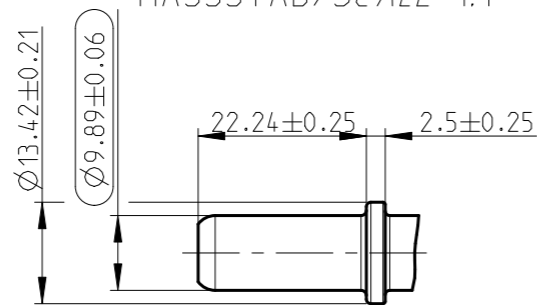
Teil-Nr ITEM-NO	Stueck QTY	Benennung PART - NAME	Werkstoff MATERIAL	Oberflaeche SURFACE
1	1	NORMAQUICK S NW 10-8-0*	PA12-GF50	Black
2	1	Retaining spring NW 10	PA12-GF30	Black
3	1	O-RING 9.5 X 2.0	FPM	Black
4	1	Spacer NW 10	PA6-GF30	Black
5	1	O-RING 9.5 X 2.0	FVMQ	Yellow

SECTION A-A



1:1

Anschlussstutzen/connecting spigot
gemaess/accordant SAE J2044
MASSSTAB/SCALE 1:1



NORMAQUICK - ASSEMBLY MARKING	
Customer part-No.:	-
Trademark:	-
Manufacturer code:	NORMA
NORMA date code:	XX YY
Material code molding part:	>PA12-GF50<

-	-	-	-	-	-	-	-	
-	-	-	-	-	-	-	-	
-	-	-	-	-	-	-	-	
-	A	1	Diameter $\varnothing 10.9 \pm 0.1$ added	-	2022-09-14	A.Tikambare	Jacksteif	
INDEX PART	DWG	QTY	REVISION SUMMARY		CHANGE-NO	DATE	DRAWN	CHECKED

1st ANGLE PROJECTION 	ACCORDING TO: -	PART NAME: NORMAQUICK S NW 10-8-0° 4-Arm-Retaining spring black fuer SAE-Spigot $\varnothing 9.89$ mm	
PROJECT-NO.: 9900016989	NORMA Germany GmbH Postfach 1149 63461 Maintal	CUSTOMER: -	CUSTOMER-NO: -
CAD-SYSTEM: Creo 8.0 8.0.1.0	(C) COPYRIGHT NORMA GROUP DIN ISO 16016	NORMA-NO.: 0715 8707 010	INDEX PART DWG - A
DRAWING-NAME.: 07158707010_Q			TYPE Q
			FORMAT A3
			SHEET 1/1



info@iq-parts.nl
Harsweg 34A
2461 EZ Ter Aar
T +31 252 624 126
The Netherlands