

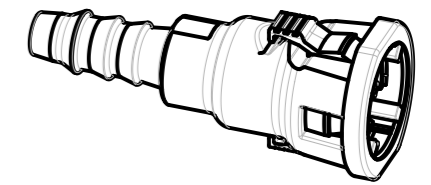
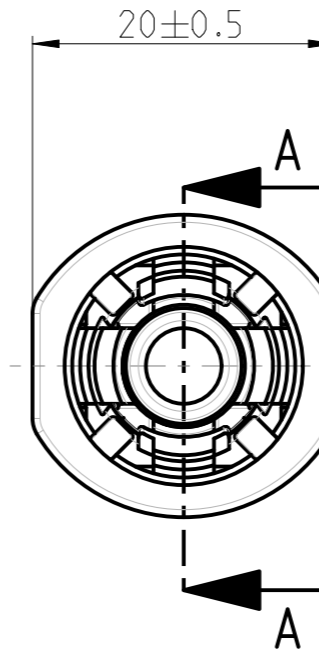
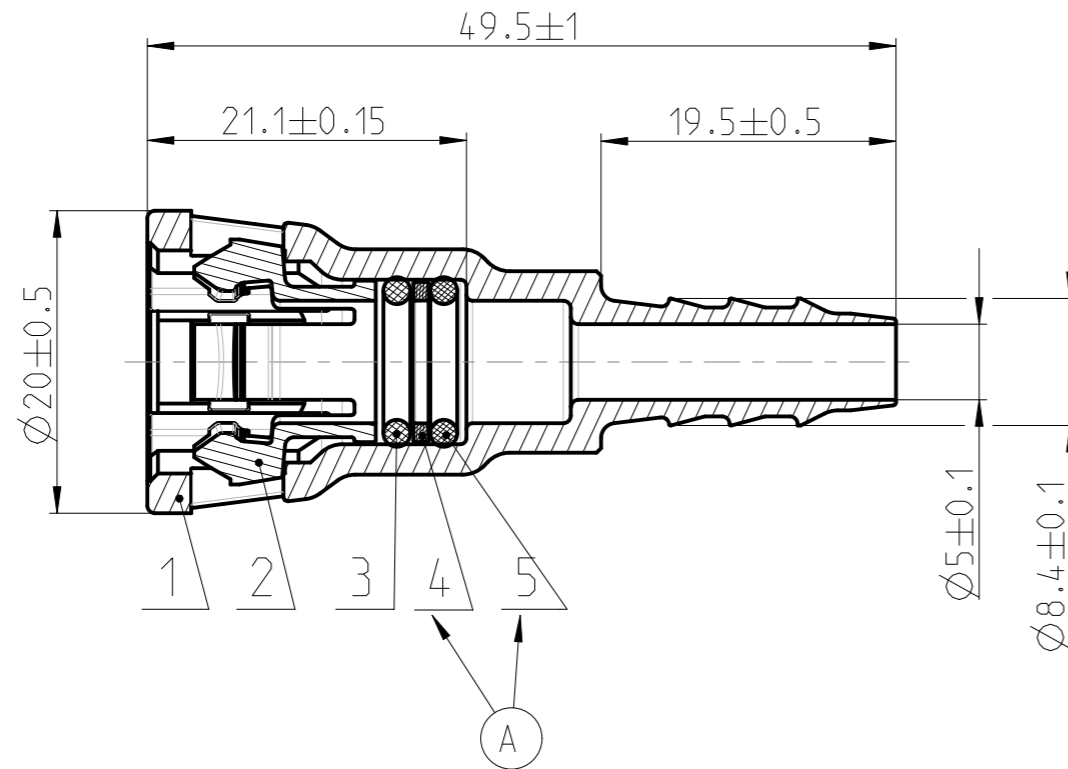
iQ parts
IQ-PARTS-SHOP.COM



**SPECS &
INFORMATION**

Teil-Nr ITEM-NO	Stueck QTY	Benennung PART - NAME	Werkstoff MATERIAL	Oberflaeche SURFACE
1	1	Housing NW 8-6-0°	PA12-GF30	black
2	1	Retainer NW 5/16''-8	PA12-GF30	yellow
3	1	O-RING 7.65 X 1.78	FVMQ	yellow
4	1	Spacer NW 5/16''	PA6-GF30	black
5	1	O-RING 7.65 X 1.78	FPM	black

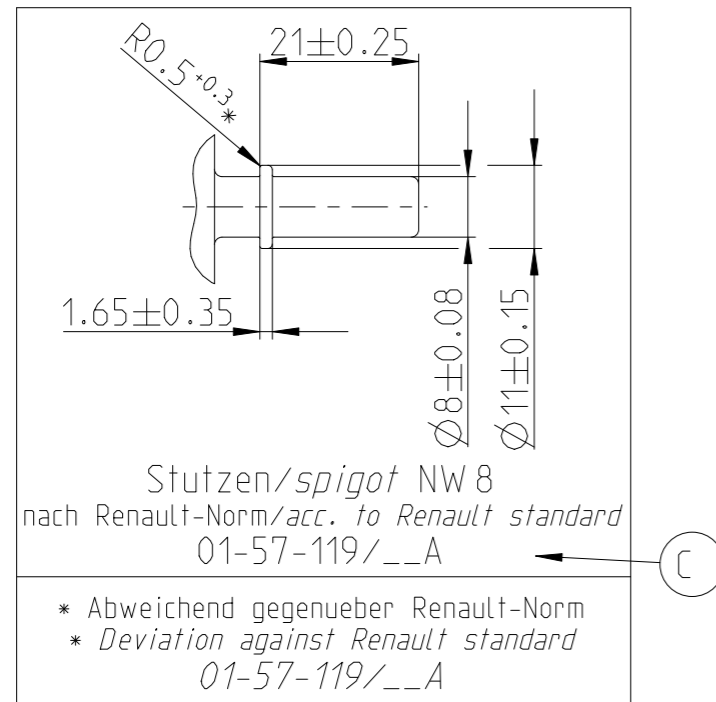
SCHNITT / SECTION A-A



MASSTAB / SCALE 1:1

D1

NORMAQUICK - ASSEMBLY MARKING	
Customer part-No.:	-
Trademark:	-
Manufacturer code:	NORMA EU
NORMA date code:	XX YY
Material code molding part:	>PA12-GF30<



-	D	1	Drawing separated; 1) Marking table added;	-	2013-12-13	Mandalapure	Jacksteit
-	C	1	Anschlusstutzen zgf.	602913	2005-01-17	Schwab.	Bahlke
-	B	-	Rippen verlaengert	601569	2003-02-11	SB/SK	Bock
-	A	1	O-Ringe - Teil-Nr. 3 und 5 getauscht	601340	2002-09-27	Imago-Gr	Bock
INDEX Teil PART	Zeichg DWG	Anz. QTY.	Aenderung DESCRIPTION	Aend.Nr. CHANGE-NO.	Datum DATE	Bearb. DRAWN	Gepr. CHECKED
Allgemeintoleranz: GENERAL TOLERANCE:		Form- und Lagetoleranz: FORM AND POS. TOL.:		Abmass fuer Winkel: DEVIATION FOR ANGLE:		Gewicht / WEIGHT: errechnet CALCULATED	
DIN 16901-130		DIN ISO 2768		±2°		Volumen: VOLUME: - cm ³	
Projektions-Methode 1 1st ANGLE PROJECTION DIN ISO 128-30		Material: see parts list Material-No.: - Oberflaeche: see parts list SURF. QUAL.:		PART NAME: NORMAQUICK S NW 8-6, 0° Version EUR 4-arm-retaining spring,yellow			
NORMA-Patentnummer: PATENT NUMBER:		Massstab: SCALE: 2:1		Datum/DATE 2002-04-29		Name/NAME AW/SK Bock	
Bandlaenge: LENGTH OF BAND:		Schutzvermerk nach ISO 16016 beachten CONSIDER AFTER PROTECTION NOTICE ISO 16016					
ZNE: -		Kunde/CUSTOMER: DIN A SHEET: SHEETS 3 1 1					
Ursprung/Anfrage: ENQUIRY-No.:		NORMA Germany GmbH Postfach 1149 • 63461 Maintal		Zeichnungs-Nr./DRAWING-NO.:		INDEX PART DWG TYPE 00 0D Q	
9990001460		© COPYRIGHT BY NORMA Group		SUB.F.: -		SUB.FROM: -	
CAD-SYSTEM Pro/Engineer		DRAWING-NAME: 07158520008_Q		MODEL-NAME: 07158520008		MODEL-TYP: ASSEM	



info@iq-parts.nl
Harsweg 34A
2461 EZ Ter Aar
T +31 252 624 126
The Netherlands