

**iQ parts**  
IQ-PARTS-SHOP.COM

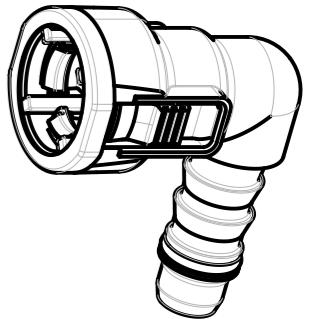
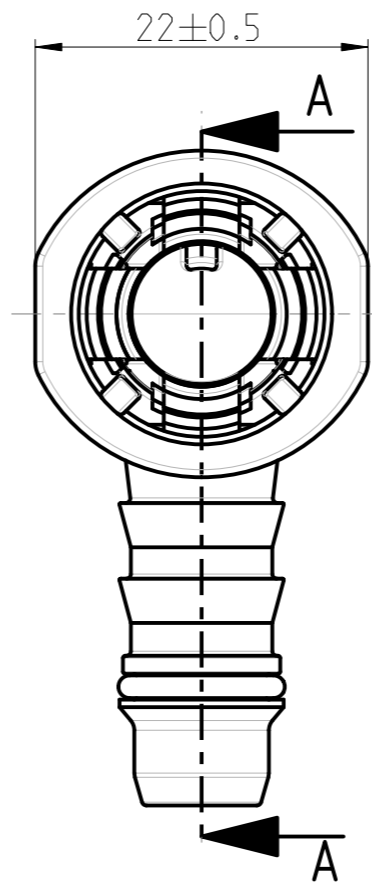
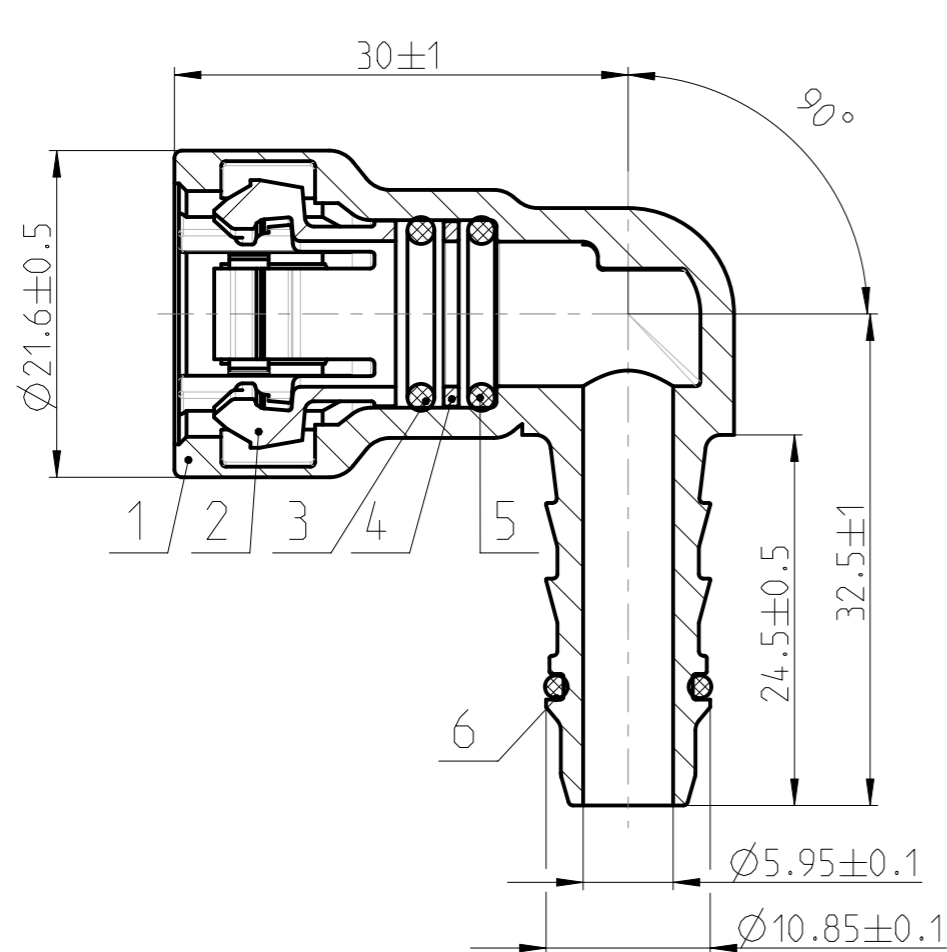


**SPECS &  
INFORMATION**

Angebotszeichnung  
QUOTATION DRAWING

Teil-Nr ITEM-NO	Stueck QTY	Benennung PART - NAME	Werkstoff MATERIAL	Oberflaeche SURFACE
1	1	Housing NW 3/8"-5/16"-90°	PA12-GF50	black
2	1	Retainer NW 3/8"	PA12-GF30	black
3	1	O-RING 9.25 X 1.78	FVMQ	blue
4	1	Spacer NW 3/8"	PA6-GF30	black
5	1	O-RING 9.25 X 1.78	FPM	black
6	1	O-RING 8.0 X 1.5	FPM	black

SCHNITT / SECTION A-A

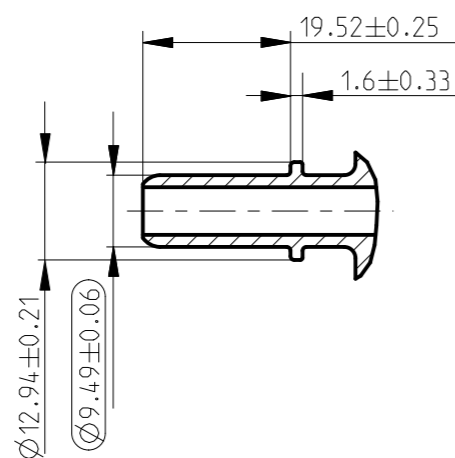


MASSTAB / SCALE 1:1

B2

NORMAQUICK - ASSEMBLY MARKING	
Customer part-No.:	-
Trademark:	-
Manufacturer code:	NORMA RSS
NORMA date code:	XX YY
Material code molding part:	>PA12-GF50<

Anschlussstutzen / Connecting spigot  
gemaess / acc. to SAE J2044  
MASSTAB / SCALE 1:1



-	-	-	-	-	-	-	-	-	-
-	-	-	-	-	-	-	-	-	-
-	B	1	1) Drawing separated; 2) Marking table added	-	2013-06-12	Guru	Kaya		
-	A	-	Gehaeuse geaendert	01-603160	2005-04-07	ibb/SaKe	Bahlke		
INDEX Teil PART	Zeichg DWG	Anz. QTY.	Aenderung DESCRIPTION		Aend.Nr. CHANGE-NO.	Datum DATE	Bearb. DRAWN	Gepr. CHECKED	
Allgemeintoleranz: GENERAL TOLERANCE:		Form- und Lagetoleranz: FORM AND POS. TOL.:		Abmass fuer Winkel: DEVIATION FOR ANGLE:		Gewicht / WEIGHT: errechnet CALCULATED		Volumen: VOLUME:	
-		-		±2°		-		- cm <sup>3</sup>	
Projektions-Methode 1 1st ANGLE PROJECTION DIN ISO 128-30		Material: see parts list Material-No.: - Oberflaeche: see parts list SURF. QUAL.:			PART NAME: NORMAQUICK S NW 3/8"-5/16", 90°				
NORMA-Patentnummer: PATENT NUMBER:		Massstab: SCALE: 2:1		Datum/DATE 2002-01-08		Name/NAME Imago-Gr Bock			
Bandlaenge: LENGTH OF BAND:		Schutzvermerk nach ISO 16016 beachten CONSIDER AFTER PROTECTION NOTICE ISO 16016							
ZNE:		Kunde / CUSTOMER:							
Ursprung/Anfrage: ENQUIRY-No.:		9990008285		NORMA Germany GmbH Postfach 1149 • 63461 Maintal © COPYRIGHT BY NORMA Group		Zeichnungs-Nr. / DRAWING-NO.:		DIN A SHEET: SHEETS	
CAD-SYSTEM Pro/Engineer		DRAWING-NAME: 07158519010_Q		SUB.F.:		SUB.FROM:		3 1 1	
				MODEL-NAME: 07158519010		MODEL-TYP: ASSEM		0715 8519 010	
								INDEX PART DWG TYPE 00 0B Q	



info@iq-parts.nl  
Harsweg 34A  
2461 EZ Ter Aar  
T +31 252 624 126  
The Netherlands