

iQ parts
IQ-PARTS-SHOP.COM

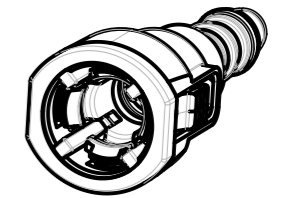
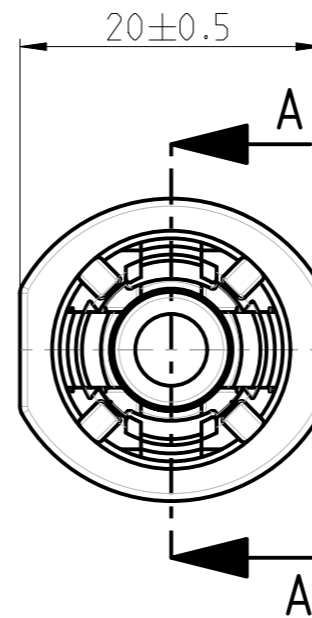
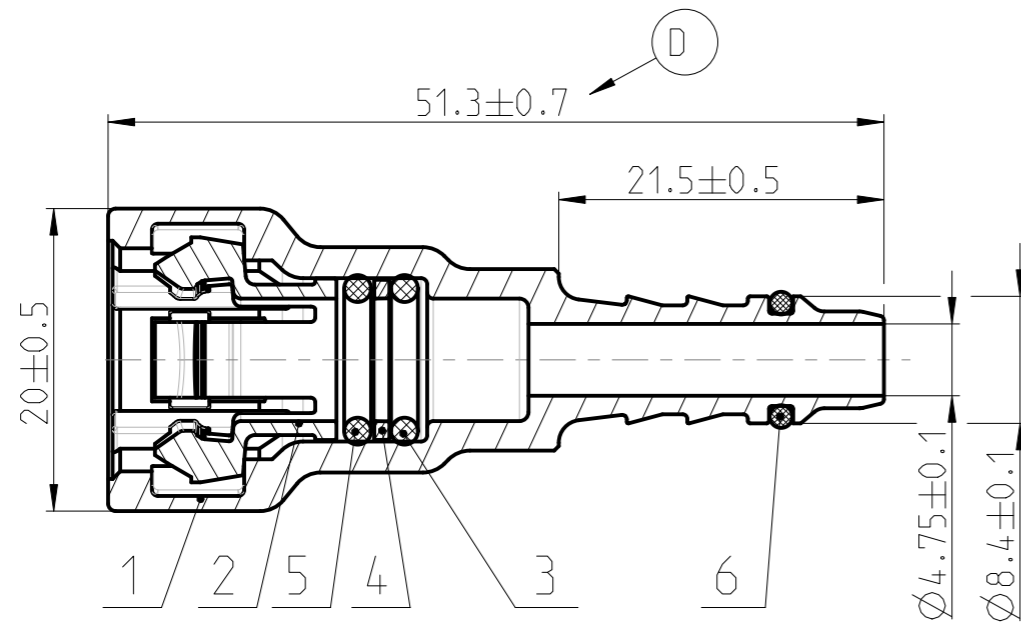


**SPECS &
INFORMATION**

Angebotszeichnung
QUOTATION DRAWING

Teil-Nr ITEM-NO	Stueck QTY	Benennung PART - NAME	Werkstoff MATERIAL	Oberflaeche SURFACE
1	1	Housing NW5/16''-6, 0°	PA12-GF50	black
2	1	Retainer NW5/16''-8	PA12-GF30	black
3	1	O-RING 7.65 X 1.78	FPM	black
4	1	Spacer NW5/16''	PA6-GF30	black
5	1	O-RING 7.65 X 1.78	FVMQ	blue
6	1	O-RING 6.0 X 1.5	FPM	black

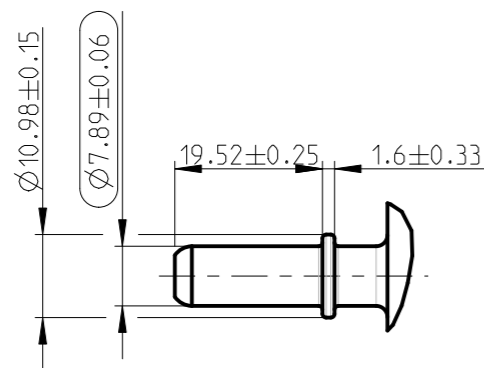
SCHNITT/SECTION A-A



MASSTAB/SCALE 1:1

NORMAQUICK - ASSEMBLY MARKING	
Customer part-No.:	-
Trademark:	-
Manufacturer code:	NORMA-RSS
NORMA date code:	XX YY
Material code molding part:	>PA12-GF50<

Anschlussstutzen/Connecting spigot
gemaess/acc. to SAE J2044
MASSTAB/SCALE 1:1



INDEX Teil PART	Anz. Zeichg DWG	Anz. QTY.	Aenderung DESCRIPTION	Aend.Nr. CHANGE-NO.	Datum DATE	Bearb. DRAWN	Gepr. CHECKED
-	E	1	1) Drawing seperated; 2) Making table added;	-	2013-06-12	Chopade	Kaya
-	D	1	Tol. ±0.7 war ±1	603857	2005-11-28	SB/SK	Bahlke
-	C	1	Ansicht Anschlussstutzen zugefuegt	602912	2005-01-17	Mertens	Bahlke
-	B	-	Ø10.8±0.06 war Ø10.8±0.04 . PA12-GF50 war PA12-GF30 , Haltefeder-Fluegel hinzu	600868	2001-11-21	Imago-Gr	Bock
-	A	-	O-ring was changed; black was blue	600592	2001-04-24	Imago-Gr	Bock

Allgemeintoleranz: GENERAL TOLERANCE:	Form- und Lagetoleranz: FORM AND POS. TOL.:	Abmass fuer Winkel: DEVIATION FOR ANGLE:	Gewicht / WEIGHT: errechnet CALCULATED	gewogen actual	Volumen: VOLUME:	Pruefkennzeichnung: TEST MARKING:
-	-	-	-	-	- cm ³	

Projektions-Methode 1 1st ANGLE PROJECTION DIN ISO 128-30 	Material: see parts list Material-No.: see parts list - Oberflaeche: see parts list SURF. QUAL.: -	PART NAME: NORMAQUICK S NW5/16''-6-0° 4-Arm-Retainer, black for SAE-Spigot Ø 7.89 mm
---	---	---

NORMA-Patentnummer: PATENT NUMBER:	Massstab: SCALE: 2:1	Datum/DATE 2000-01-20	Name/NAME Bauer	Benennung: NORMAQUICK S NW5/16''-6-0° 4-Arm-Haltefeder, schwarz fuer SAE-Stutzen Ø 7.89 mm
---------------------------------------	----------------------------	--------------------------	--------------------	---

Bandlaenge: LENGTH OF BAND:	Schutzvermerk nach ISO 16016 beachten CONSIDER AFTER PROTECTION NOTICE ISO 16016	Kunde/CUSTOMER:	DIN A 3	SHEET: SHEETS 1 1
--------------------------------	--	-----------------	------------	------------------------

ZNE: -	Ursprung/Anfrage: ENQUIRY-No.: 9990006244	NORMA Germany GmbH Postfach 1149 • 63461 Maintal © COPYRIGHT BY NORMA Group	Zeichnungs-Nr./DRAWING-NO.: 0715 8509 008	INDEX PART DWG 00 0E Q	TYPE Q
-----------	---	---	--	----------------------------------	-----------

CAD-SYSTEM Pro/Engineer	DRAWING-NAME: 07158509008_Q	SUB.F.: ENG 00696	SUB.FROM: -	MODEL-NAME: 07158509008	MODEL-TYP: ASSEM
-------------------------	-----------------------------	-------------------	-------------	-------------------------	------------------



info@iq-parts.nl
Harsweg 34A
2461 EZ Ter Aar
T +31 252 624 126
The Netherlands