

iQ parts
IQ-PARTS-SHOP.COM

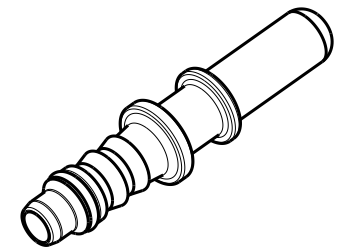
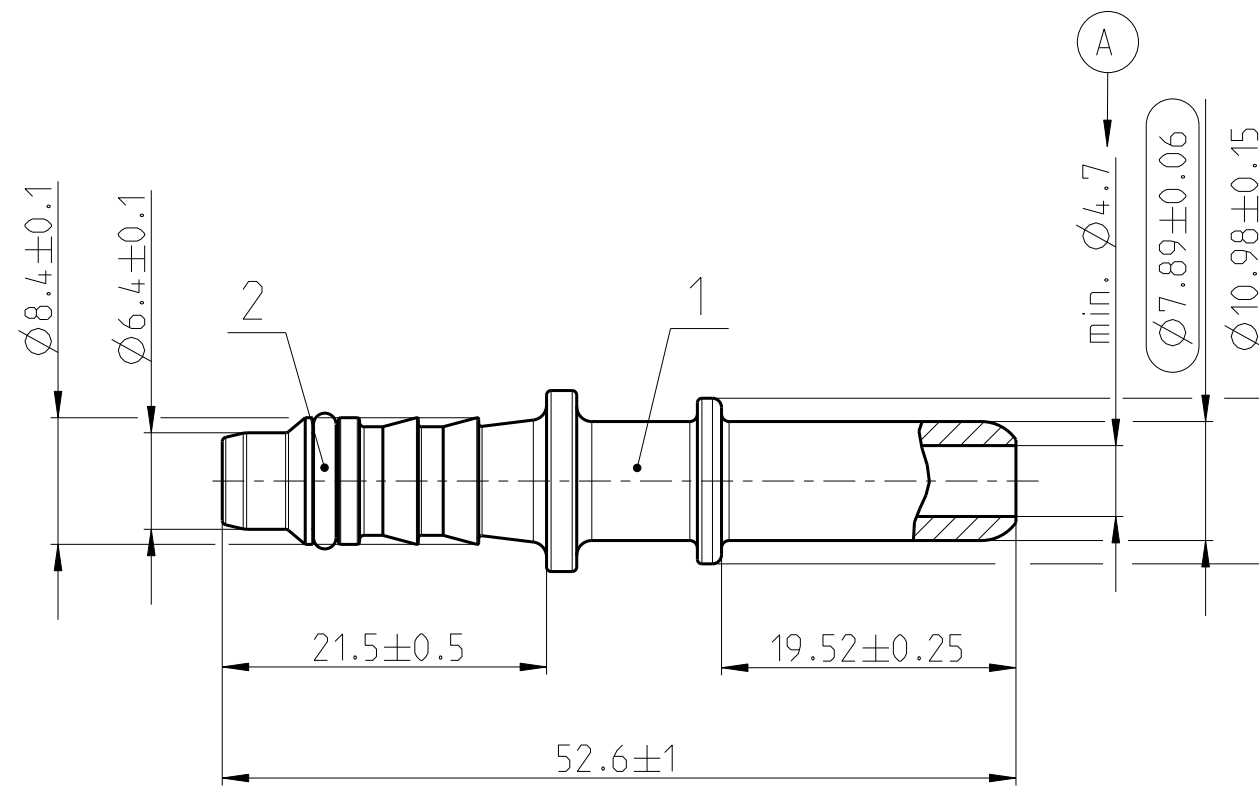


**SPECS &
INFORMATION**

Angebotszeichnung
QUOTATION DRAWING

B

Teil-Nr ITEM-NO	Stueck QTY	Benennung PART - NAME	Werkstoff MATERIAL	Oberflaeche SURFACE
1	1	Adapter piece	PA12-GF30	black
2	1	O-RING 6.0 X 1.5	FPM	black



MASSSTAB/SCALE 1:1

C2 D

NORMAQUICK - ASSEMBLY MARKING	
Customer part-No.:	-
Trademark:	-
Manufacturer code:	NORMA RSS
NORMA date code:	-
Material code molding part:	>PA12-GF30<

-	D	1	NORMA date code removed	-	2013-06-25	Herrmann	Jacksteit
-	C	1	1) Drawing separated; 2) Marking table added	-	2013-06-12	Guru	Kaya
-	B	1	Adapter piece changed	606544	2008-04-09	CE-SYS/DM	Jacksteit
-	A	1	min.Ø4.7 war Ø4.7±0.1	600537	2001-03-07	Imago-Gr	Bock

INDEX Teil PART	Anz. Zeichg DWG	Anz. QTY.	Aenderung DESCRIPTION	Aend.Nr. CHANGE-NO.	Datum DATE	Bearb. DRAWN	Gepr. CHECKED
-----------------------	-----------------------	--------------	--------------------------	------------------------	---------------	-----------------	------------------

Allgemeintoleranz: GENERAL TOLERANCE:	Form- und Lagetoleranz: FORM AND POS. TOL.:	Abmass fuer Winkel: DEVIATION FOR ANGLE:	Gewicht / WEIGHT: errechnet CALCULATED	gewogen actual	Volumen: VOLUME:	Pruefkenzeichnung: TEST MARKING:
-	-	-	-	-	- cm ³	

Projektions-Methode 1 1st ANGLE PROJECTION DIN ISO 128-30	Material: see parts list Material-No.: - Oberflaeche: see parts list SURF. QUAL.:	PART NAME: Adapter piece NORMAQUICK S NW 5/16''-6
---	--	--

NORMA-Patentnummer: PATENT NUMBER:	Massstab: SCALE: 2:1	Datum/DATE 2000-09-20	Name/NAME Imago-Gr	Benennung: Adapterstueck NORMAQUICK S NW 5/16''-6
---------------------------------------	----------------------------	--------------------------	-----------------------	--

Bandlaenge: LENGTH OF BAND:	Schutzvermerk nach ISO 16016 beachten CONSIDER AFTER PROTECTION NOTICE ISO 16016	Kunde/CUSTOMER:	DIN A 3	SHEET: SHEETS 1 1
--------------------------------	--	-----------------	------------	------------------------

ZNE:	Ursprung/Anfrage: ENQUIRY-No.: 9990007878	NORMA Germany GmbH Postfach 1149 • 63461 Maintal © COPYRIGHT BY NORMA Group	Zeichnungs-Nr./DRAWING-NO.: 0715 8154 008	INDEX PART DWG 00 0D Q
------	---	---	--	----------------------------------

CAD-SYSTEM Pro/Engineer	DRAWING-NAME: 07158154008_Q	MODEL-NAME: 07158154008	SUB.F.: -	SUB.FROM: -	MODEL-TYP: ASSEM
-------------------------	-----------------------------	-------------------------	-----------	-------------	------------------



info@iq-parts.nl
Harsweg 34A
2461 EZ Ter Aar
T +31 252 624 126
The Netherlands