

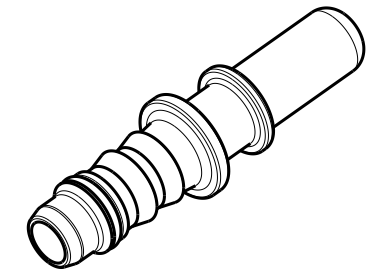
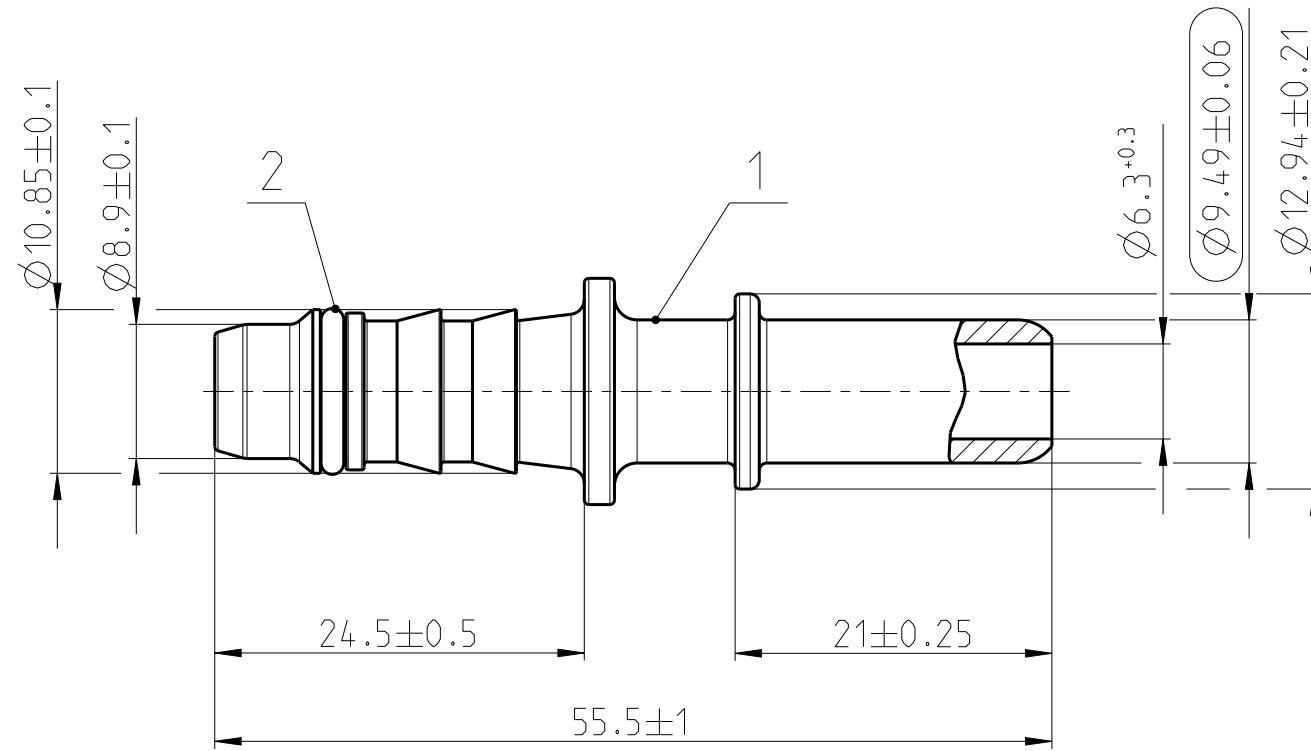
iQ parts
IQ-PARTS-SHOP.COM



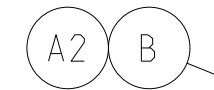
**SPECS &
INFORMATION**

Angebotszeichnung
QUOTATION DRAWING

Teil-Nr ITEM-NO	Stueck QTY	Benennung PART - NAME	Werkstoff MATERIAL	Oberflaeche SURFACE
1	1	Adapter piece	PA12-GF30	black
2	1	O-RING 8.0 X 1.5	FPM	black



MASSSTAB/SCALE 1:1



NORMAQUICK - ASSEMBLY MARKING	
Customer part-No.:	-
Trademark:	-
Manufacturer code:	NORMA RSS
NORMA date code:	-
Material code molding part:	>PA12-GF30<

-	-	-	-	-	-	-	-	
-	-	-	-	-	-	-	-	
-	B	1	NORMA Date code removed	-	2013-06-25	Herrmann	Jacksteit	
-	A	2	1) Drawing separated; 2) Marking table added; 3) Enquiry number added	-	2013-06-12	Guru	Kaya	
INDEX Teil PART	Zeichg DWG	Anz. QTY.	Aenderung DESCRIPTION		Aend.Nr. CHANGE-NO.	Datum DATE	Bearb. DRAWN	Gepr. CHECKED
Allgemeintoleranz: GENERAL TOLERANCE:		Form- und Lagetoleranz: FORM AND POS. TOL.:		Abmass fuer Winkel: DEVIATION FOR ANGLE:	Gewicht / WEIGHT: errechnet CALCULATED		Volumen: VOLUME:	Pruefkenzeichnung: TEST MARKING:
-		-		-	-		- cm ³	
Projektions-Methode 1 1st ANGLE PROJECTION DIN ISO 128-30		Material: see parts list Material-No.: - Oberflaeche: see parts list SURF. QUAL.:			PART NAME: NORMAQUICK S NW 3/8''-5/16''-adapter			
NORMA-Patentnummer: PATENT NUMBER:		Massstab: SCALE: 2:1	Datum/DATE		Name/NAME		Benennung: NORMAQUICK S NW 3/8''-5/16''-Adapterstueck	
			2000-07-31		Bauer			
					Bock			
Bandlaenge: LENGTH OF BAND:		Schutzvermerk nach ISO 16016 beachten CONSIDER AFTER PROTECTION NOTICE ISO 16016						
ZNE:				Kunde/CUSTOMER:		DIN A	SHEET: SHEETS	
						3	1 1	
Ursprung/Anfrage: ENQUIRY-No.:		9990007878		Zeichnungs-Nr./DRAWING-NO.:		INDEX PART DWG TYPE		
				0715 8039 010		00 0B Q		
CAD-SYSTEM Pro/Engineer		NORMA Germany GmbH Postfach 1149 • 63461 Maintal		SUB.F.:		SUB.FROM:		
		© COPYRIGHT BY NORMA Group						
		DRAWING-NAME: 07158039010_Q		MODEL-NAME: 07158039010		MODEL-TYP: ASSEM		

A3



info@iq-parts.nl
Harsweg 34A
2461 EZ Ter Aar
T +31 252 624 126
The Netherlands