

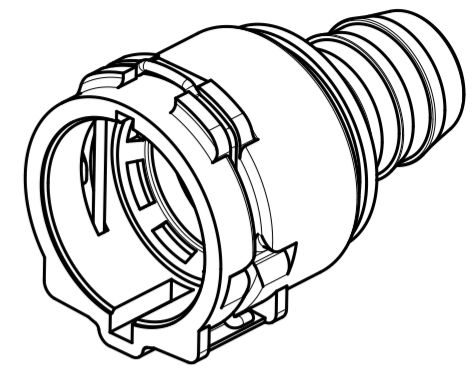
**iQ parts**  
IQ-PARTS-SHOP.COM



**SPECS &  
INFORMATION**

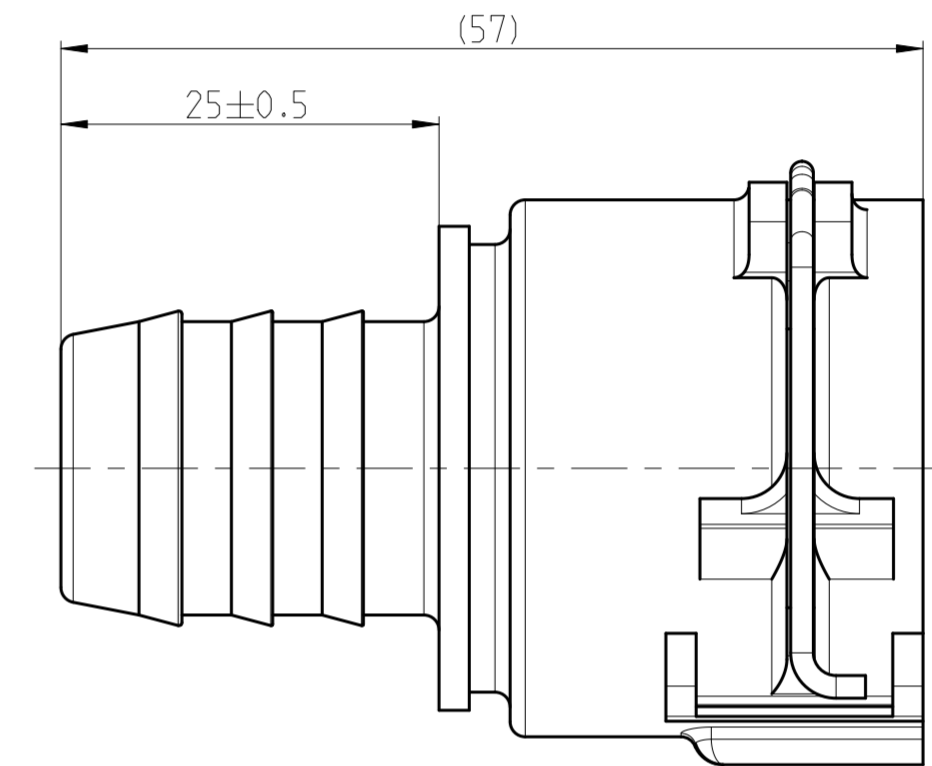
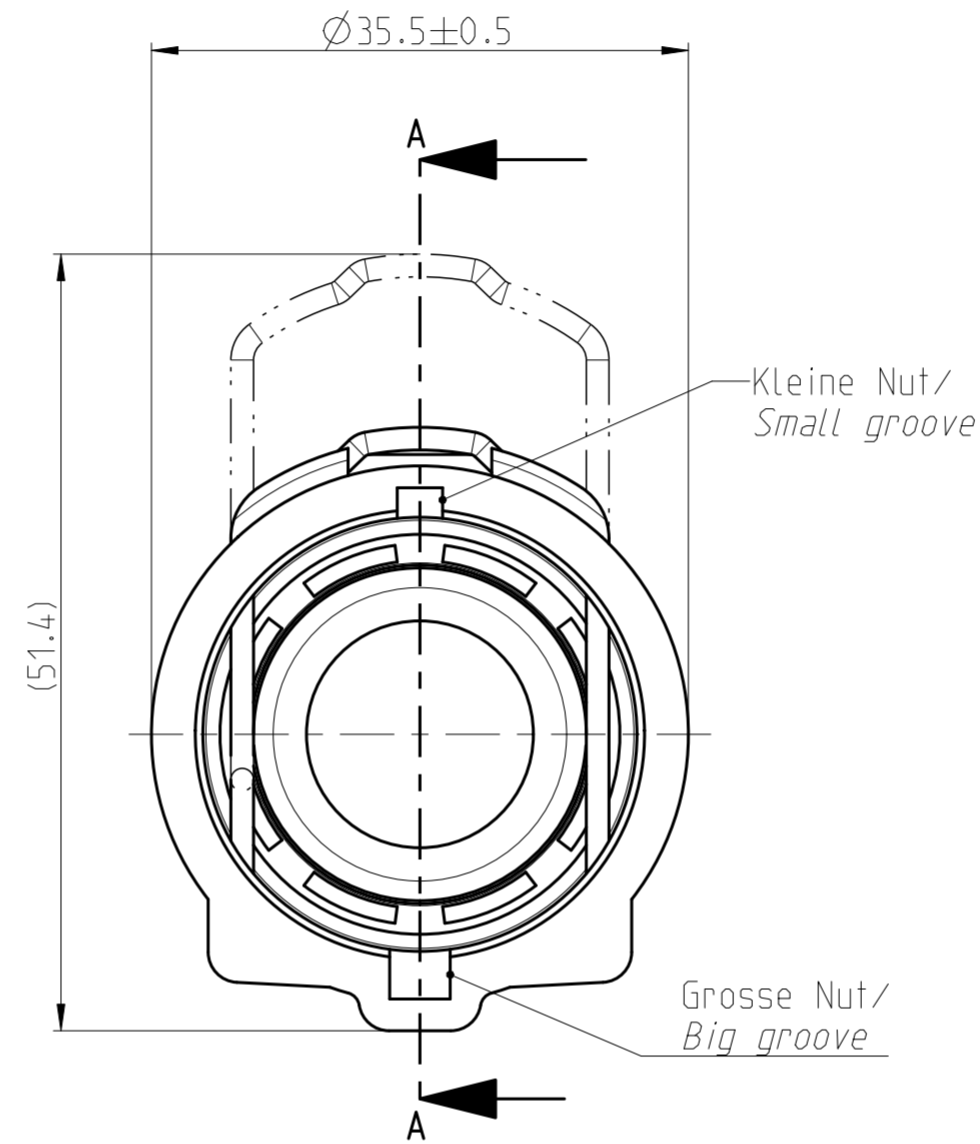
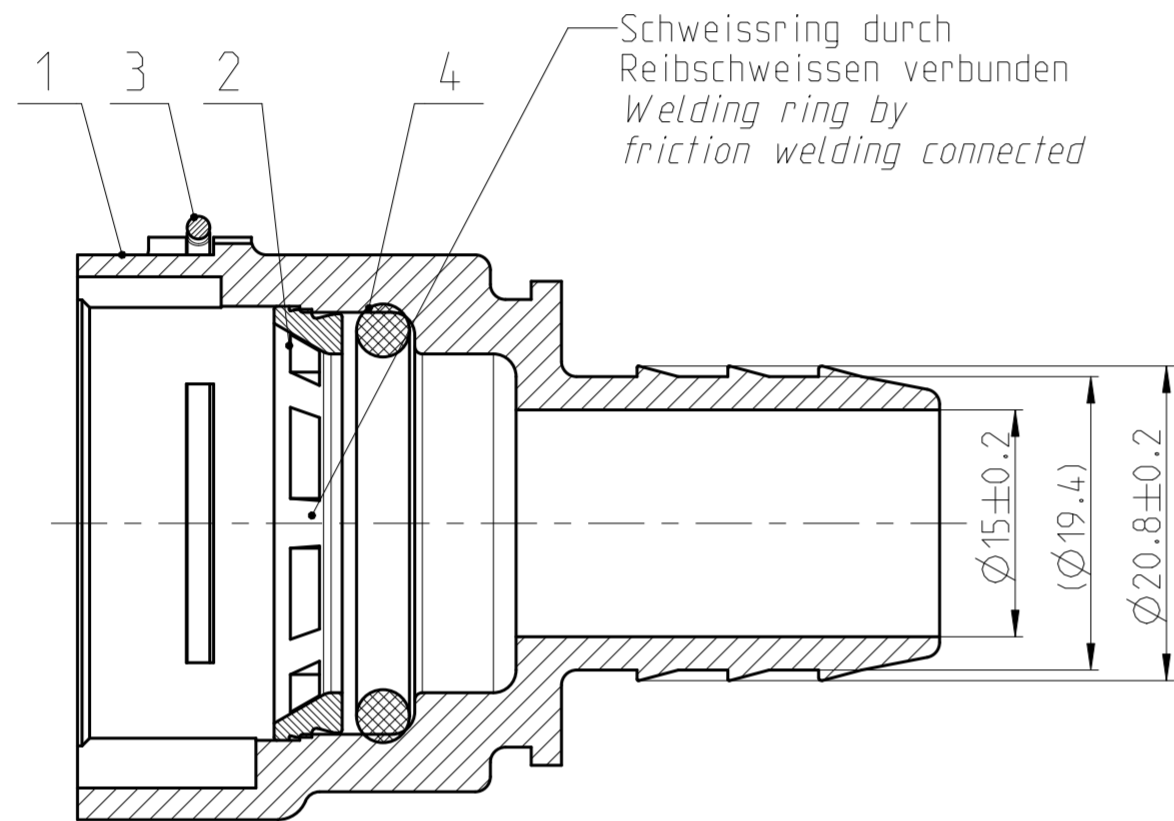
Angebotszeichnung  
QUOTATION DRAWING

| Teil-Nr.<br>ITEM-NO. | Stueck<br>QTY | Benennung<br>PART - NAME | Werkstoff<br>MATERIAL   | Oberflaeche<br>SURFACE |
|----------------------|---------------|--------------------------|-------------------------|------------------------|
| 1                    | 1             | Housing NW 16-0°         | PA66-GF30               | black                  |
| 2                    | 1             | Weld ring NW 16          | PA66-GF30               | black                  |
| 3                    | 1             | Locking bail NW 16       | EN10270-3-1.4310-NS-1.5 | blank                  |
| 4                    | 1             | O-RING 22.0 X 3.5        | EPDM-60                 | black                  |

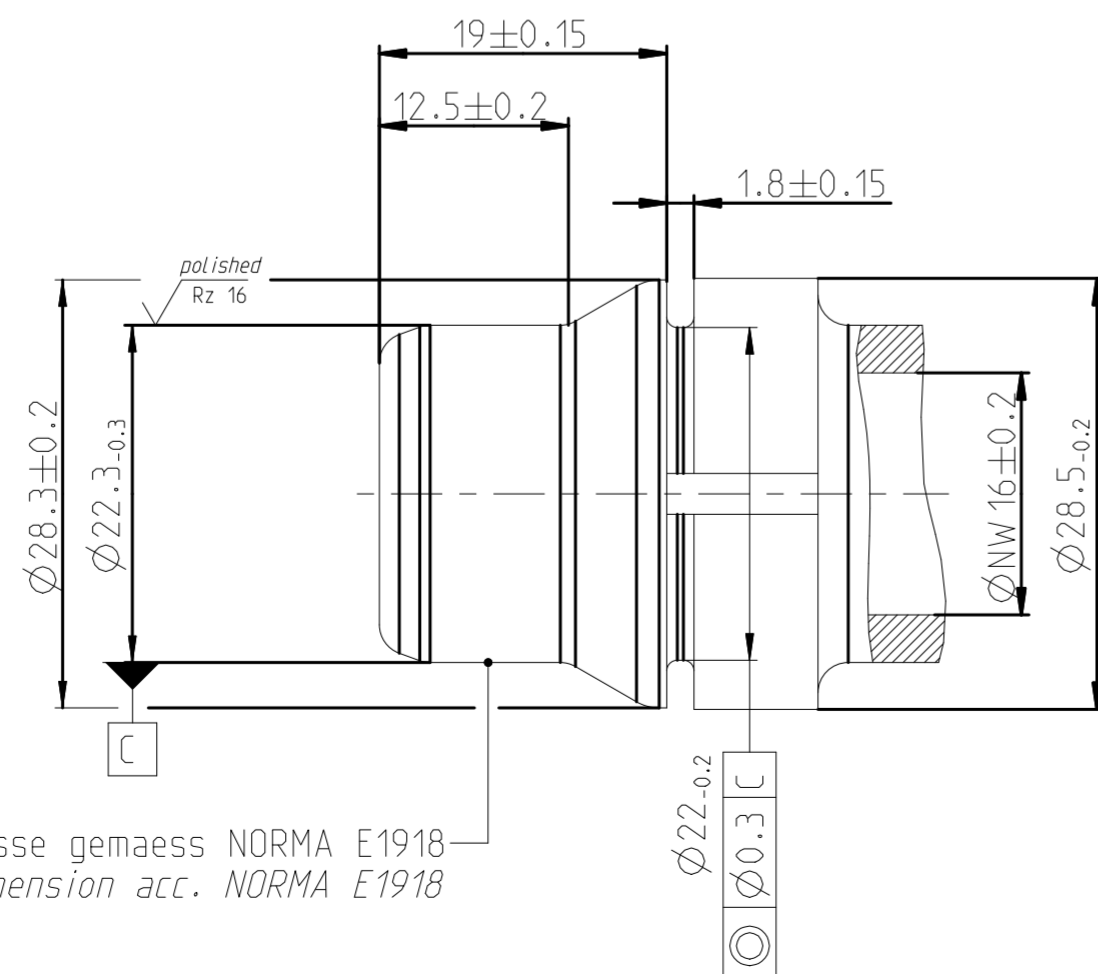


MASSSTAB/SCALE 1:1

SCHNITT/SECTION A-A



Ansicht Stutzen/View spigot  
MASSSTAB/SCALE 2:1



Nicht angegebene Masse gemäss NORMA E1918  
Not specified dimension acc. NORMA E1918

| Performance features for NQ PS3 - VDA |   |
|---------------------------------------|---|
| Medium                                | coolant water   |
| Operation temperature                 | -40°C thru 135°C, short-term up to 150°C (max. 30 min, over lifetime) |
| Operation pressure                    | 0 to 2 bar, partial pulsating (sinusoidal)                            |

| NORMAQUICK - ASSEMBLY MARKING |             |
|-------------------------------|-------------|
| Customer part-No.:            | -           |
| Trademark:                    | -           |
| Manufacturer code:            | NORMA-RSS   |
| NORMA date code:              | XX YY       |
| Material code molding part:   | >PA66-GF30< |

| INDEX<br>Teil/<br>PART | Anz.<br>Zeichng<br>DWG | QTY. | Anderung<br>DESCRIPTION   | Aend.Nr.<br>CHANGE-NO. | Datum<br>DATE | Bearb.<br>DRAWN | Gepr.<br>CHECKED |
|------------------------|------------------------|------|---|------------------------|---------------|-----------------|------------------|
| -                      | E                      | 2    | Name Corrected;   | -                      | 2014-11-14    | Mandatpure      | Ries             |
| -                      | D                      | 2    | 1) drawing type updated; 2) view updated; 3) text added   | -                      | 2013-01-15    | Chopade         | Ries             |
| -                      | C                      | 1    | 8.5±0.2 war/was 8±0.2<br>Angleich an BMW Fuegetabelle / Adjustment to BMW assembling drw 14364.91 | -                      | 2010-06-21    | Herrmann        | Ries             |
| -                      | B                      | 1    | 1067 8000 247 war/was 1067 8000 847   | 606866                 | 2008-07-22    | CE-SYS/DM       | Bauer            |
| -                      | A                      | 1    | Verriegelungsbuegel ersetzt, war 1702 8002 016  | 604658                 | 2006-08-14    | Schwabauer      | Bauer            |

|   |  |  |  |   |                                      |
|---|--|--|--|---|--------------------------------------|
| Allgemeintoleranz:<br>GENERAL TOLERANCE:                        | Form- und Lagetoleranz:<br>FORM AND POS. TOL.:   | Abmass fuer Winkel:<br>DEVIATION FOR ANGLE:                        | Gewicht / WEIGHT:<br>errechnet / gewogen<br>CALCULATED / actual: | Volumen:<br>VOLUME:   | Pruefkennzeichnung:<br>TEST MARKING: |
| DIN 16901-130   | DIN ISO 2768   | ±2°  | -  | - cm <sup>3</sup>   |                                      |
| Projektions-Methode 1<br>1st ANGLE PROJECTION<br>DIN ISO 128-30 | Material: see parts list<br>Material-No.: -<br>Oberflaeche: see parts list<br>SURF. QUAL.: | PART NAME:<br><b>NORMAQUICK PS3 NW 16-0°</b><br>Locking bail blank |  |   |                                      |
| NORMA-Patentnummer:<br>PATENT NUMBER:                           | Massstab:<br>SCALE:<br>2:1   | Datum/DATE<br>2006-03-03   | Name/NAME<br>TS/IC   | Benennung:<br><b>NORMAQUICK PS3 NW 16-0°</b><br>Verriegelungsbuegel blank |                                      |
| Bandlaenge:<br>LENGTH OF BAND:                                  | Schutzvermerk nach ISO 16016 beachten<br>CONSIDER AFTER PROTECTION<br>NOTICE ISO 16016     |  | Kunde/CUSTOMER:  |   |                                      |
| ZNE:  | Ursprung/Anfrage:<br>ENQUIRY-No.:  |  | Zeichnungs-Nr./DRAWING-NO.:                                      |   | INDEX<br>PART<br>DWG<br>TYPE         |
|   | 9900014785   |  | 0702 8056 016  |   | 00 0E Q                              |
| CAD-SYSTEM Pro/Engineer   | NORMA Germany GmbH<br>Postfach 1149 • 63461 Maintal<br>© COPYRIGHT BY NORMA Group          |  | SUB.F.: -<br>SUB.FROM: -   |   | MODEL-TYP: ASSEM                     |
|   | DRAWING-NAME: 07028056016_Q  |  | MODEL-NAME: 07028056016  |   |                                      |



info@iq-parts.nl  
Harsweg 34A  
2461 EZ Ter Aar  
T +31 252 624 126  
The Netherlands