

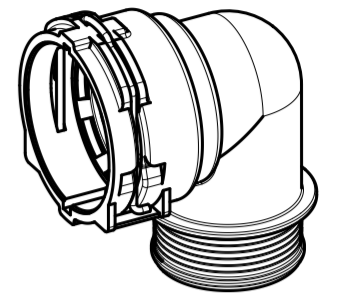
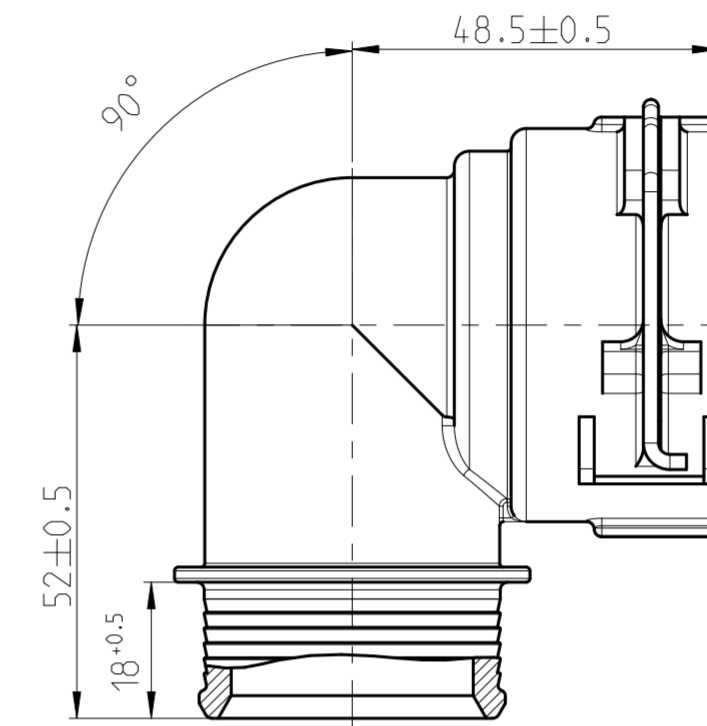
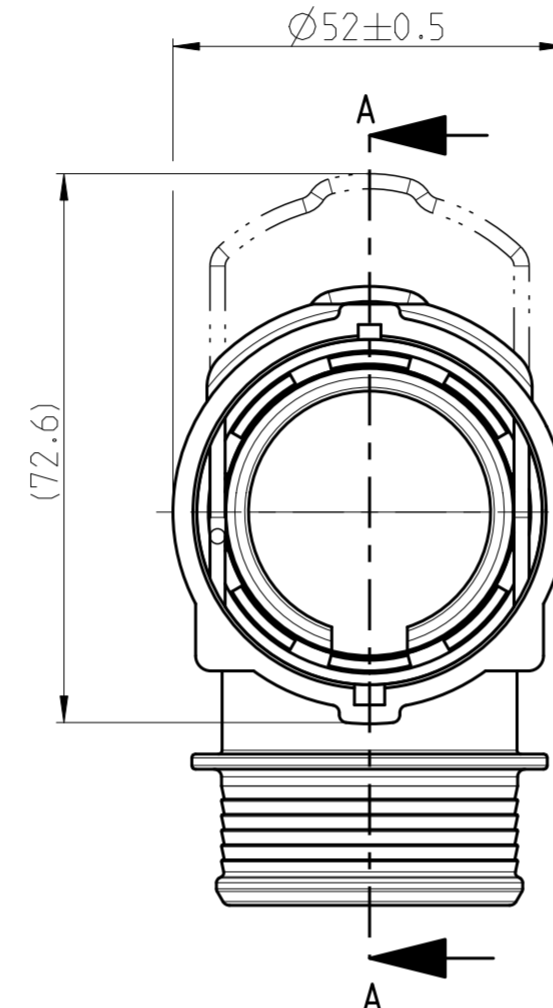
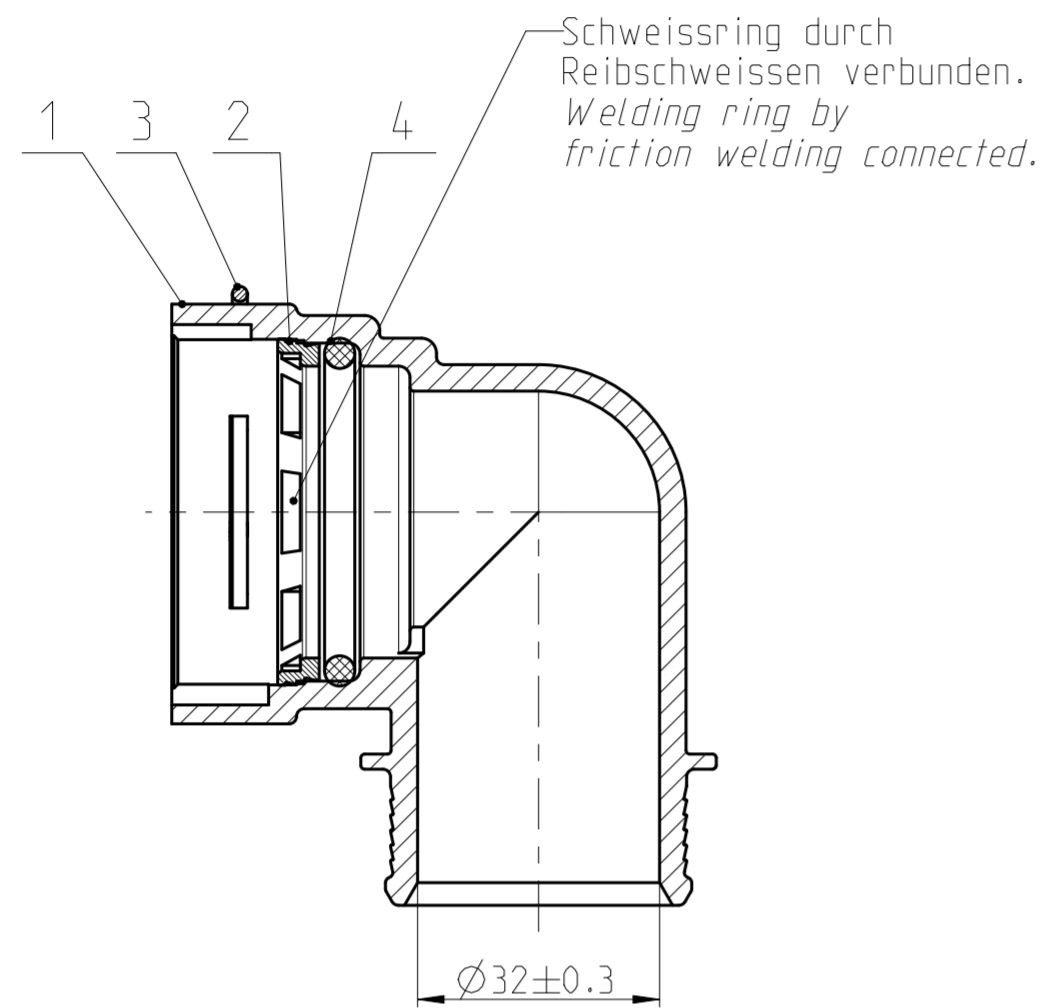
iQ parts
IQ-PARTS-SHOP.COM



**SPECS &
INFORMATION**

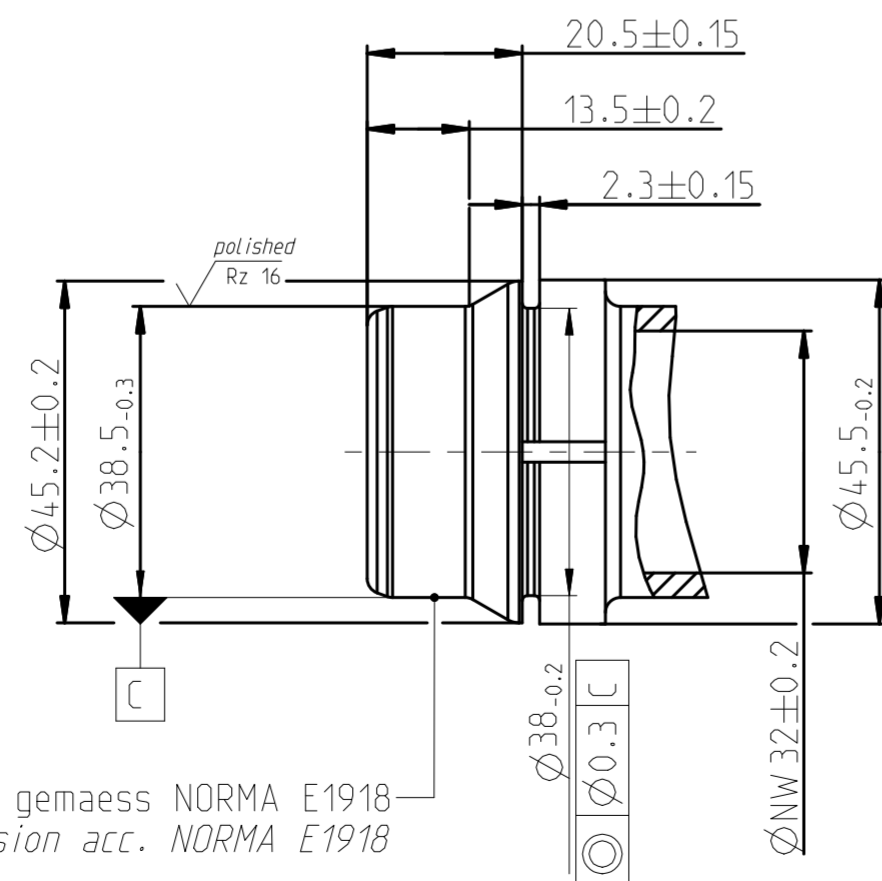
Teil-Nr. ITEM-NO	Stueck QTY	Benennung PART - NAME	Werkstoff MATERIAL	Oberflaeche SURFACE
1	1	Housing NW 32-90°	PA66-GF30	black
2	1	Weld ring NW 32	PA66-GF30	black
3	1	Locking bail NW 32	EN10270-3-1.4310-NS-2.0	black
4	1	O-RING 38.0 X 4.0	EPDM-60	black

SCHNITT/SECTION A-A



MASSSTAB/SCALE 1:2

Ansicht Stutzen/View spigot
MASSSTAB/SCALE 2:1



Nicht angegebene Masse gemäss NORMA E1918
Not specified dimension acc. NORMA E1918

Performance features for NQ PS3 - VDA	
Medium	coolant water
Operation temperature	-40°C thru 135°C, short-term up to 150°C (max. 30 min. over lifetime)
Operation pressure	0 to 2 bar, partial pulsating (sinusoidal)

NORMAQUICK - ASSEMBLY MARKING	
Customer part-No.:	-
Trademark:	-
Manufacturer code:	NORMA-RSS
NORMA date code:	XX YY
Material code molding part:	>PA66-GF30<

INDEX PART	Anz. QTY.	Aenderung DESCRIPTION	Aend.Nr. CHANGE-NO.	Datum DATE	Bearb. DRAWN	Gepr. CHECKED
-	-	-	-	-	-	-
-	-	-	-	-	-	-
-	-	-	-	-	-	-
-	A	1) drawing type updated; 2) view updated; 3) text added	-	2013-01-15	Chopade	Ries
Allgemeintoleranz: GENERAL TOLERANCE:		Form- und Lagetoleranz: FORM AND POS. TOL.:	Abmass fuer Winkel: DEVIATION FOR ANGLE:	Gewicht / WEIGHT: errechnet / calculated	Volumen: VOLUME:	Pruefkenzeichnung: TEST MARKING:
DIN 16901-130		DIN ISO 2768	±2°	-	-	- cm ³
Projektions-Methode 1 1st ANGLE PROJECTION DIN ISO 128-30		Material: see parts list	PART NAME: NORMAQUICK PS3 NW 32-90°			
Oberflaeche: see parts list		Material-No.: -	-			
SURF. QUAL.: -		Oberflaeche: see parts list	-			
NORMA-Patentnummer: PATENT NUMBER:		Massstab: SCALE:	Datum/DATE	Name/NAME		
-		1:1	2008-03-11	CE-Sys/DM		
-		-	2008-03-13	Bauer		
-		-	-	-		
Bandlaenge: LENGTH OF BAND:		Schutzvermerk nach ISO 16016 beachten CONSIDER AFTER PROTECTION NOTICE ISO 16016				
ZNE:		Kunde/CUSTOMER:				
Ursprung/Anfrage: ENQUIRY-NO.:		NORMA Germany GmbH Postfach 1149 • 63461 Maintal			DIN A	SHEET: SHEETS
9901717601		© COPYRIGHT BY NORMA Group			2	1 1
CAD-SYSTEM Pro/Engineer		DRAWING-NAME: 07028042032_Q			Zeichnungs-Nr./DRAWING-NO.:	INDEX PART DWG TYPE
		SUB.F.:			0702 8042 032	00 0A Q
		MODEL-NAME: 07028042032			SUB.FROM: MODEL-TYP: ASSEM	



info@iq-parts.nl
Harsweg 34A
2461 EZ Ter Aar
T +31 252 624 126
The Netherlands