

**iQ parts**  
IQ-PARTS-SHOP.COM

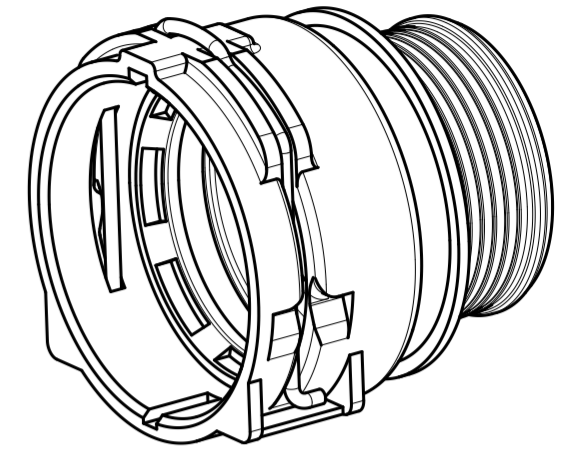
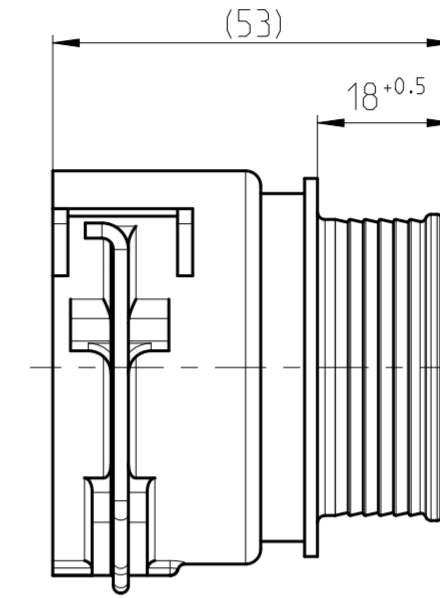
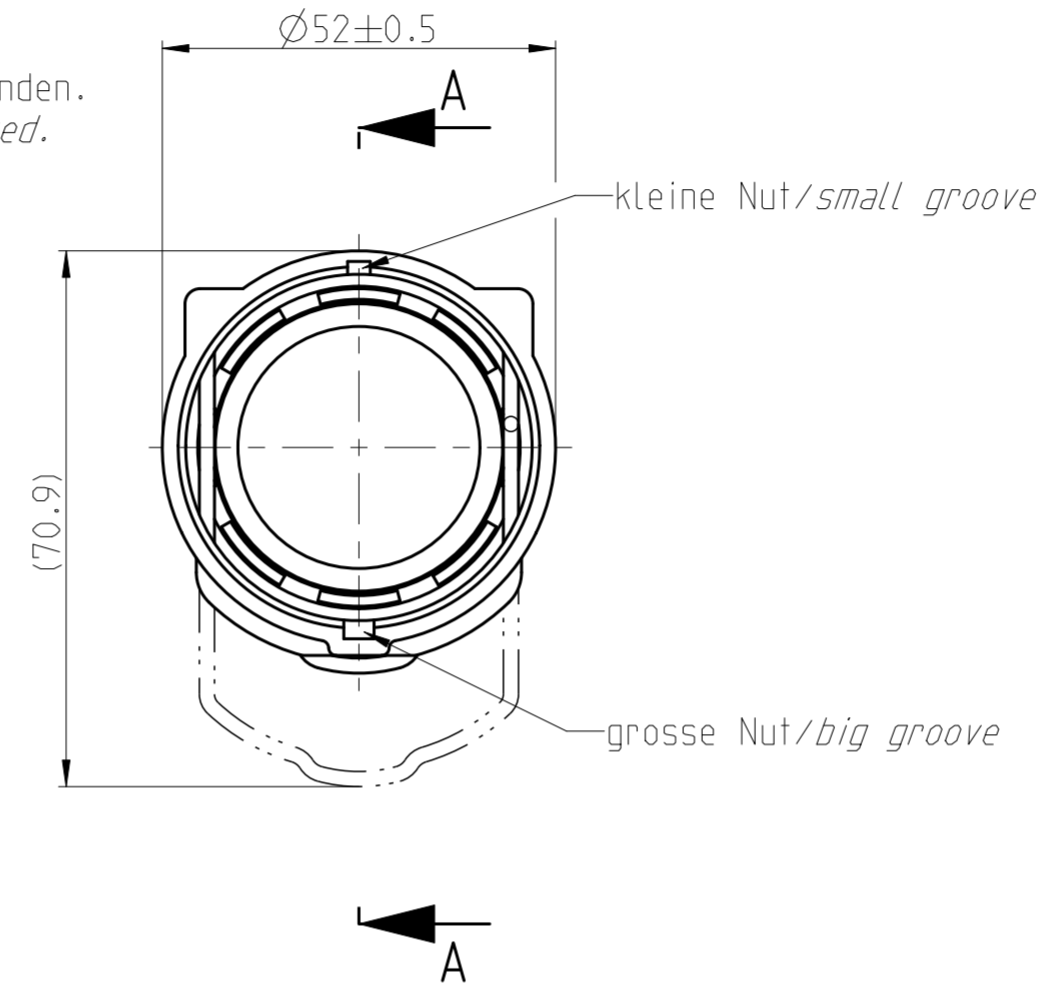
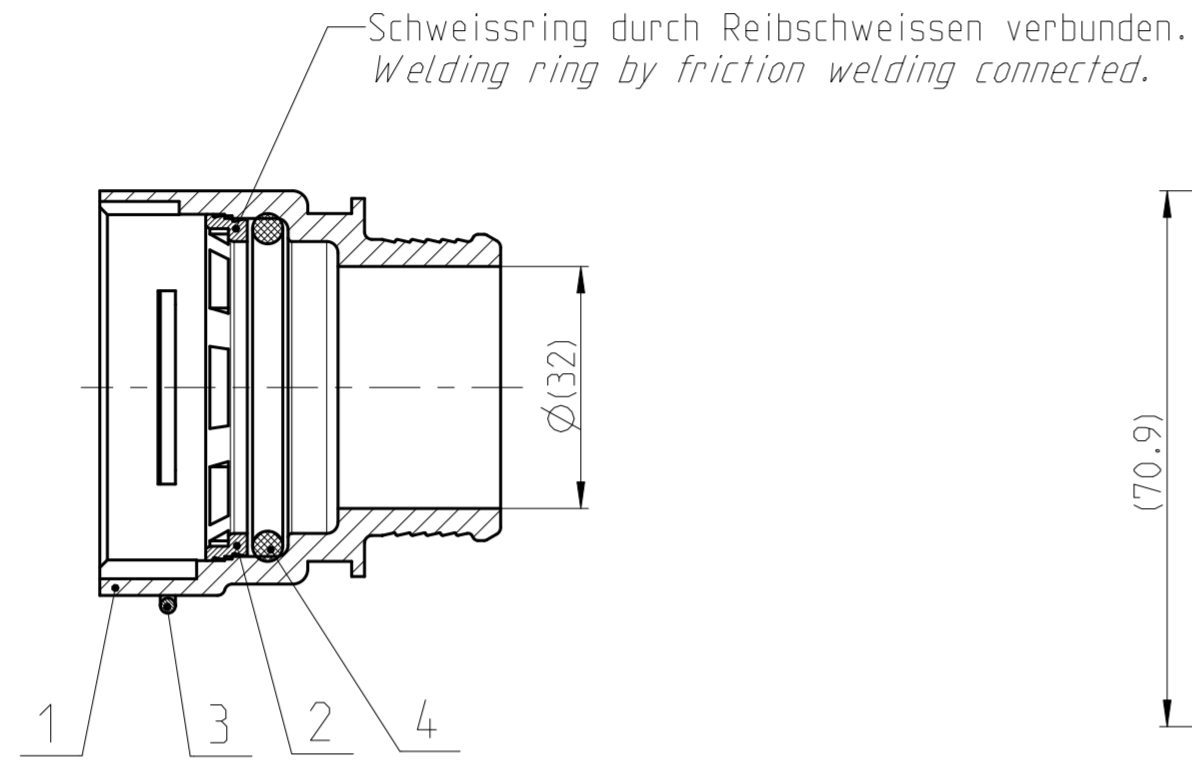


**SPECS &  
INFORMATION**

QUOTATION DRAWING

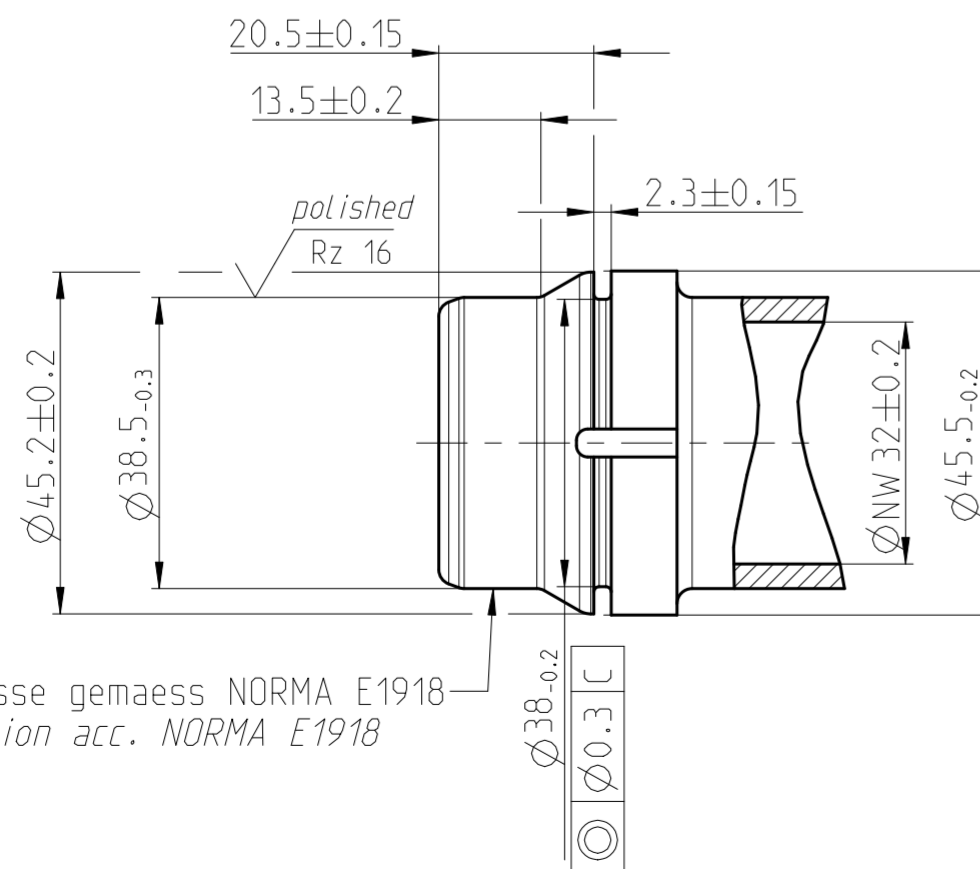
Teil-Nr ITEM-NO	Stueck QTY	Benennung PART - NAME	Werkstoff MATERIAL	Oberflaeche SURFACE
1	1	Housing NW 32-0*	PA66-GF30	black
2	1	Weld ring NW 32	PA66-GF30	black
3	1	Locking bail NW 32	EN 10270-3-1.4310-NS-2.0	black
4	1	O-RING 38.0 X 4.0	EPDM	black

SCHNITT/SECTION A-A



MASSTAB/SCALE 1:1

Ansicht Stutzen/View spigot  
MASSTAB/SCALE 1:1



Nicht angegebene Masse gemaess NORMA E1918  
Not specified dimension acc. NORMA E1918

Performance features for NQ PS3 - VDA	
Medium	coolant water
Operation temperature	-40°C thru 135°C, short-term up to 150°C (max. 30 min. over Lifetime)
Operation pressure	0 to 2 bar, partial pulsating (sinusoidal)

NORMAQUICK - ASSEMBLY MARKING	
Customer part-No.:	-
Trademark:	-
Manufacturer code:	NORMA-RSS
NORMA date code:	XX YY
Material code molding part:	>PA66-GF30<

INDEX PART	DWG	QTY	REVISION SUMMARY	CHANGE-NO	DATE	DRAWN	CHECKED
-	-	-	-	-	-	-	-
-	B	1	Pos.3 locking bail surface corrected was blank	-	2018-10-31	Avunoori	Stach
-	A	-	Drawing updated	-	2016-07-25	Sajdak	Stach

1st ANGLE PROJECTION	ACCORDING TO:	PART NAME:
	SCALE: 1:1	NORMAQUICK PS3 NW 32-0°
	DATE: 2016-07-05	anti rotation feature turned 180°
	DRAWN: Sajdak	
	CHECKED: Stach	
PROJECT-NO.: 9900015940	NORMA Germany GmbH Postfach 1149 63461 Maintal	CUSTOMER: -
CAD-SYSTEM: Creo 3.0 M140	(C) COPYRIGHT NORMA GROUP DIN ISO 16016	CUSTOMER-NO: -
DRAWING-NAME: 07028035032_Q		NORMA-NO.: 0702 8035 032
		PART INDEX DWG TYPE FORMAT SHEET
		- B Q A2 1/1

GENERAL TOLERANCE:	-
FORM AND POS. TOL.:	DIN ISO 2768
DEVIATION FOR ANGLE:	±2°



info@iq-parts.nl  
Harsweg 34A  
2461 EZ Ter Aar  
T +31 252 624 126  
The Netherlands