

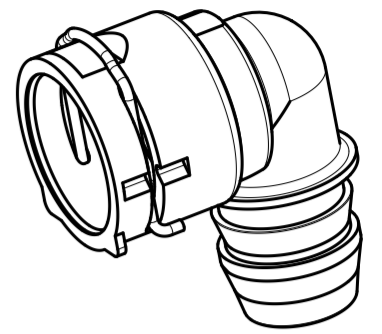
iQ parts
IQ-PARTS-SHOP.COM



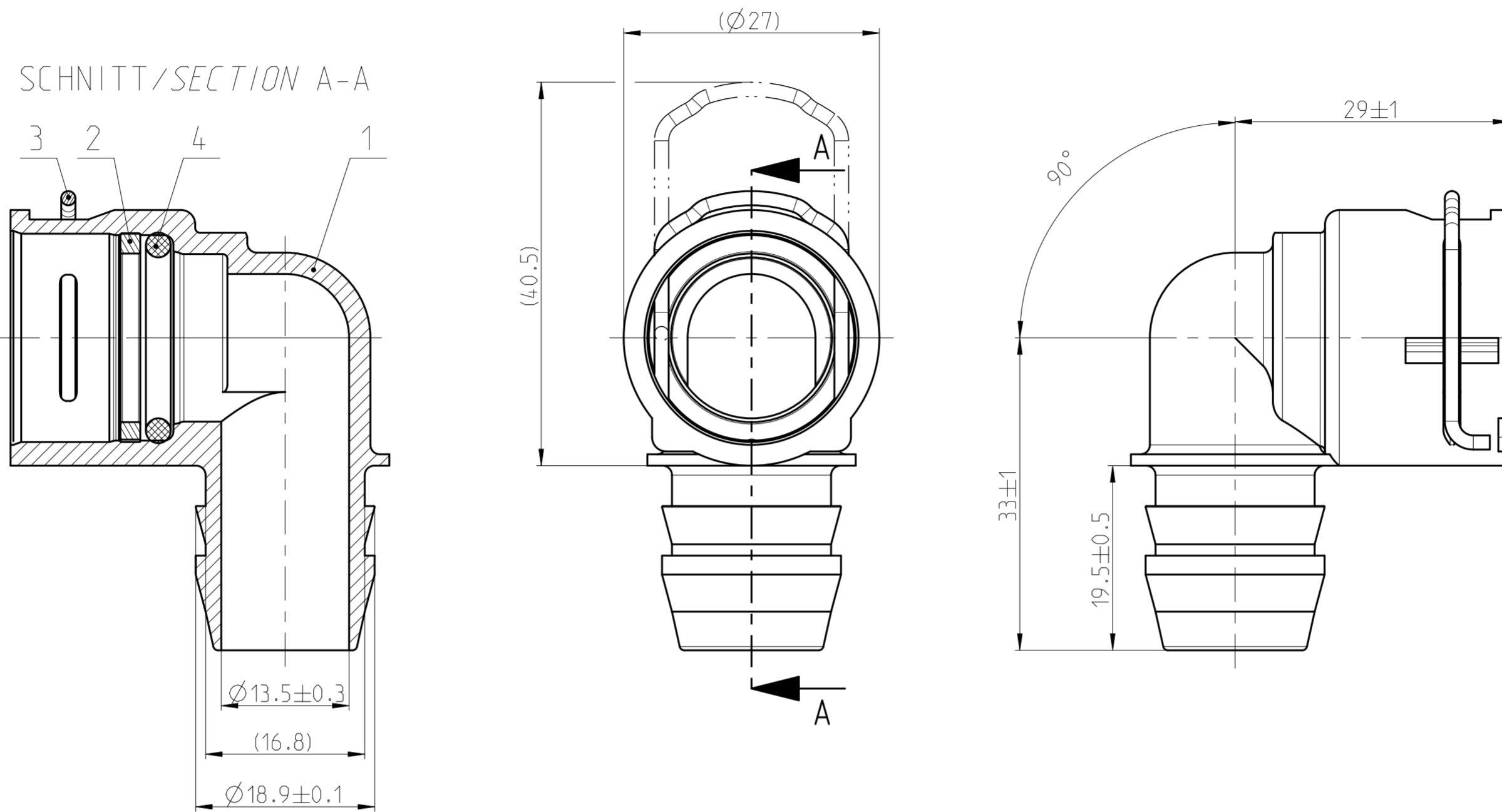
**SPECS &
INFORMATION**

Angebotszeichnung
QUOTATION DRAWING

Teil-Nr. ITEM-NO.	Stueck QTY	Benennung PART - NAME	Werkstoff MATERIAL	Oberflaeche SURFACE
1	1	Housing NW 14-90°	PA66-GF30	black
2	1	Insert NW 14	PA66-GF30	black
3	1	Locking bail NW 14	EN10270-3-1.4310-NS-1.5	blank
4	1	O-RING 17.0 X 2.62	EPDM-60	black



MASSTAB/SCALE 1:1



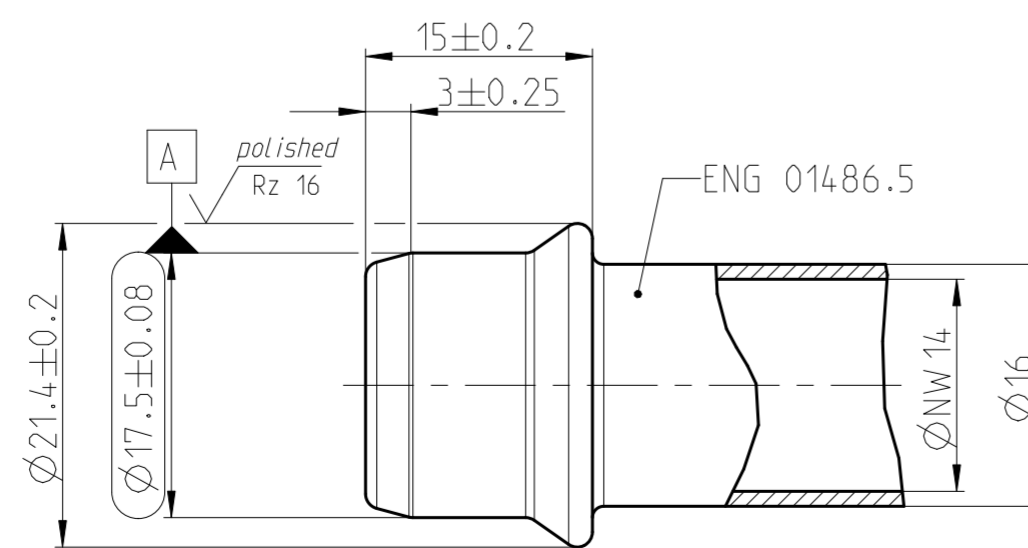
A1

Performance features for NQ PS3 - VDA	
Medium	coolant water
Operation temperature	-40°C thru 125°C
Operation pressure	0 to 2 bar, partial pulsating (sinusoidal)

A2

NORMAQUICK - ASSEMBLY MARKING	
Customer part-No.:	-
Trademark:	-
Manufacturer code:	NORMA-RSS
NORMA date code:	XX YY
Material code molding part:	>PA66-GF30<

SCHNITT/SECTION A-A
mit Stutzen/with spigot



-	-	-	-	-	-	-	-	-	-
-	-	-	-	-	-	-	-	-	-
-	-	-	-	-	-	-	-	-	-
-	A	3	Drawing separation; 1) Notes added; 2) Marking table added; 3) View added;		-	2014-11-10	Tandle	Ries	
INDEX Teil/ PART	Zeichn. DWG	Anz. QTY.	Aenderung DESCRIPTION		Aend.Nr. CHANGE-NO.	Datum DATE	Bearb. DRAWN	Gepr. CHECKED	
Allgemeintoleranz: GENERAL TOLERANCE:		Form- und Lagetoleranz: FORM AND POS. TOL.:		Abmass fuer Winkel: DEVIATION FOR ANGLE:	Gewicht / WEIGHT: errechnet / calculated	Volumen: VOLUME:	Pruefzeichenzeichnung: TEST MARKING:		
DIN 16901-130		DIN ISO 2768		±2°	-	-	-	-	-
Projektions-Methode 1 1st ANGLE PROJECTION DIN ISO 128-30		Material: see parts list Material-No.: - Oberflaeche: see parts list SURF. QUAL.:		PART NAME: NORMAQUICK PS3 NW 14-90° special connector					
NORMA-Patentnummer: PATENT NUMBER:		Massstab: SCALE: 2:1	Datum/DATE 2013-11-06	Name/NAME TS/IC	Benennung: NORMAQUICK PS3 NW 14-90° Sonderkupplung				
Bandlaenge: LENGTH OF BAND:		Schutzvermerk nach ISO 16016 beachten CONSIDER AFTER PROTECTION NOTICE ISO 16016							
ZNE:		Kunde/CUSTOMER:							
Ursprung/Anfrage: ENQUIRY-No.:		NORMA Germany GmbH Postfach 1149 • 63461 Maintal © COPYRIGHT BY NORMA Group		Zeichnungs-Nr./DRAWING-NO.:		INDEX PART DWG		TYPE	
9900014559				0702 8035 014		00		10A Q	
CAD-SYSTEM Pro/Engineer		DRAWING-NAME: 07028035014_Q		SUB.F.: -		SUB.FROM: -		MODEL-TYP: ASSEM	



info@iq-parts.nl
Harsweg 34A
2461 EZ Ter Aar
T +31 252 624 126
The Netherlands