

iQ parts
IQ-PARTS-SHOP.COM

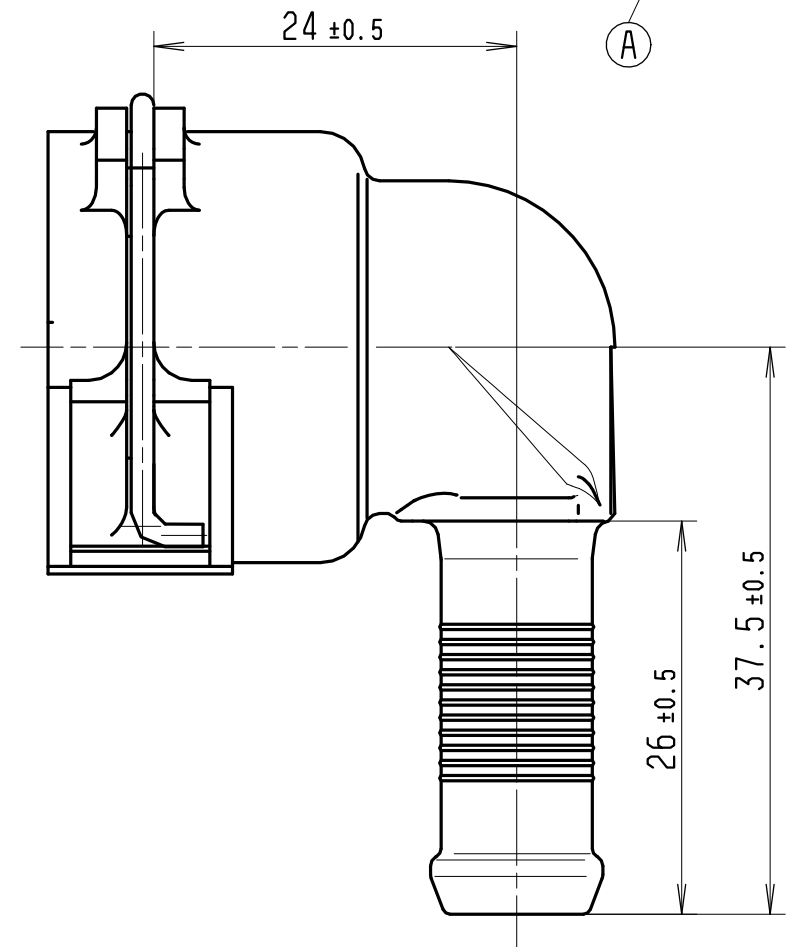
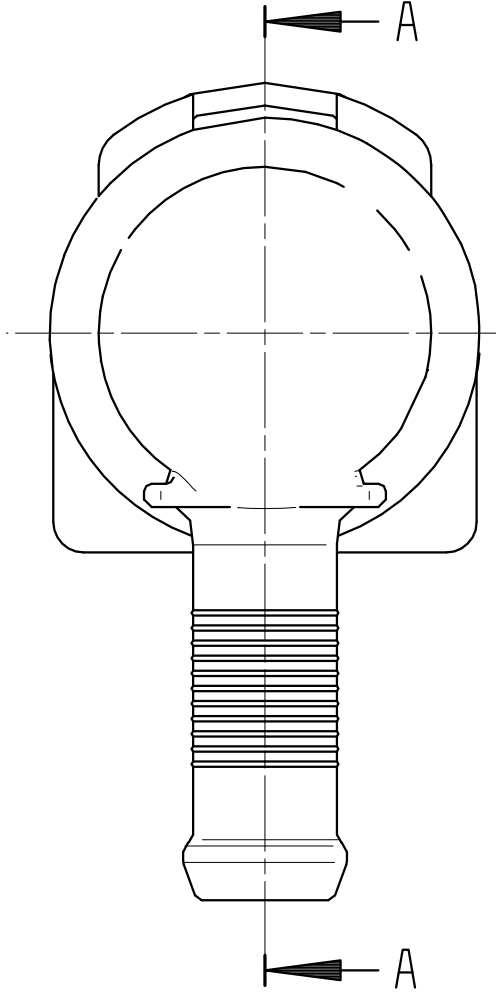
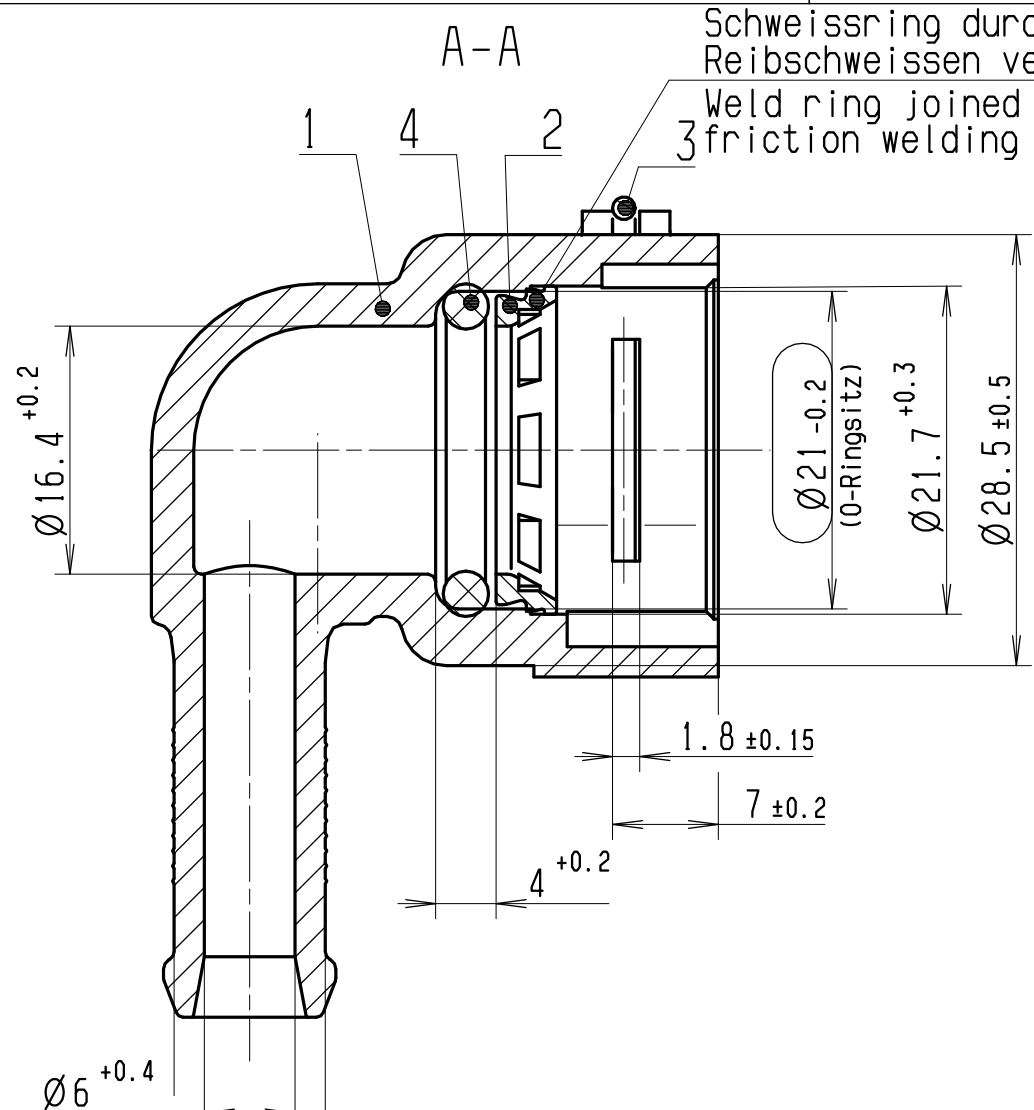


**SPECS &
INFORMATION**

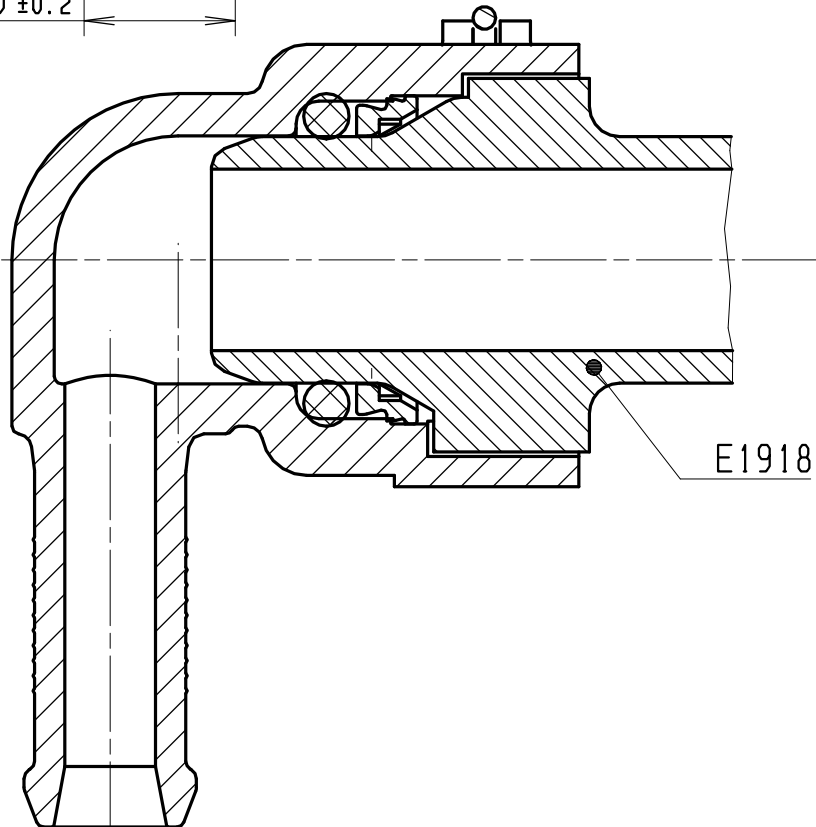
Fertigungszeichnung
MANUFACTURING DRAWING

Angebotszeichnung
QUOTATION DRAWING

Teil-Nr. ITEM-NO	Stueck QTY	Benennung PART - NAME	VSN-Nr. PP.-NO	Einzelteilnummer PART-NO	Index Teil/PART	Werkstoff MATERIAL	Rohstoffnummer MATERIAL-NO	Oberflaeche SURFACE
1	1	Housing NW 12-10-90°		1702 8017 012		PA66 - GF30	2036 0200 125	black
2	1	Weld ring NW12		1702 8003 012		PA66 - GF30	2036 0200 125	black
3	1	Locking bail NW12		1702 8001 012		DIN EN10270-3-1.4310-1.5	-	black
4	1	O-RING 16.0 X 3.0		1067 8000 251		EPDM	-	black



A-A MIT STUTZEN/WITH SPIGOT



Beschriftung/Marking: Norma RSS

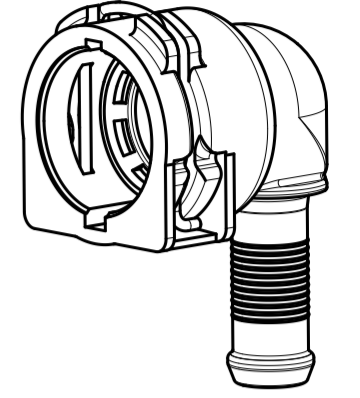
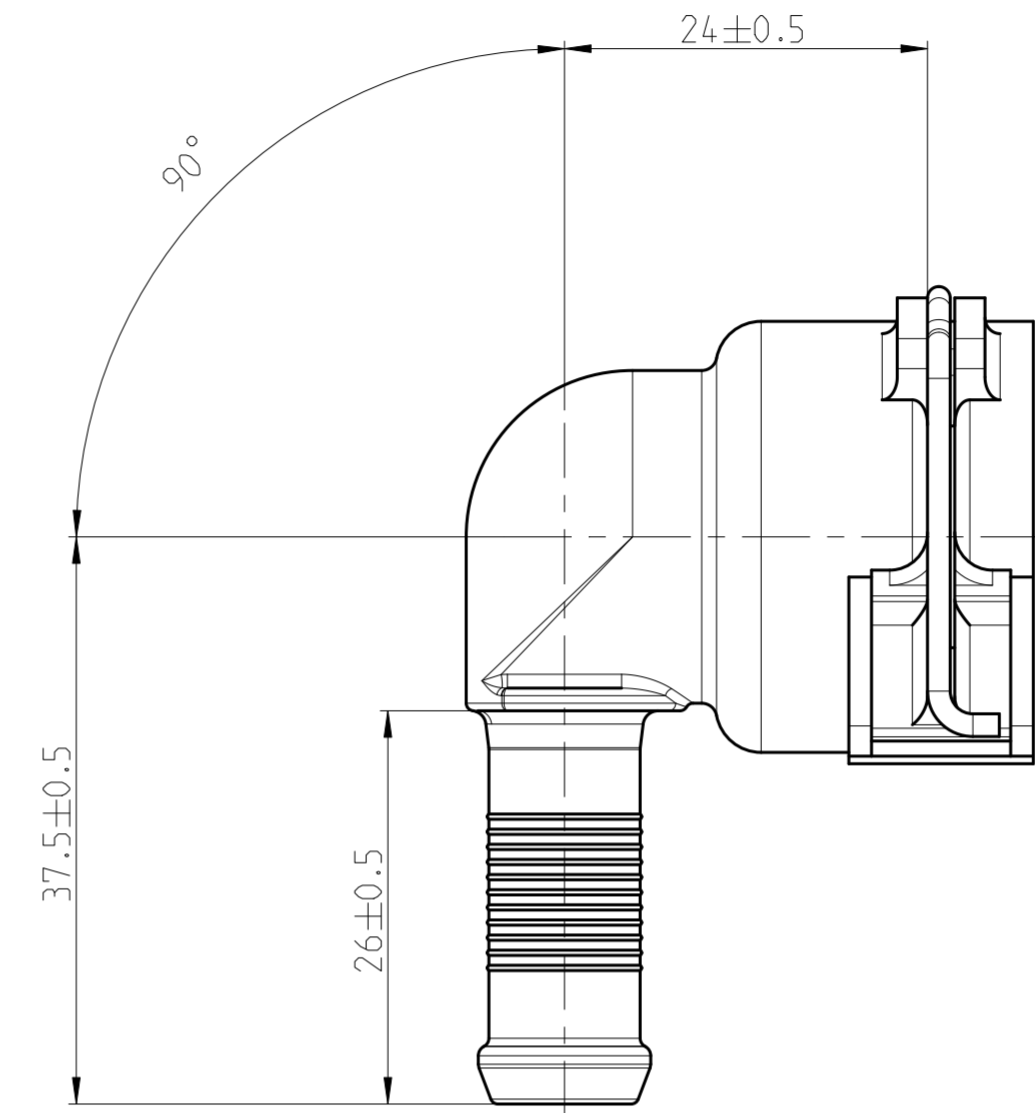
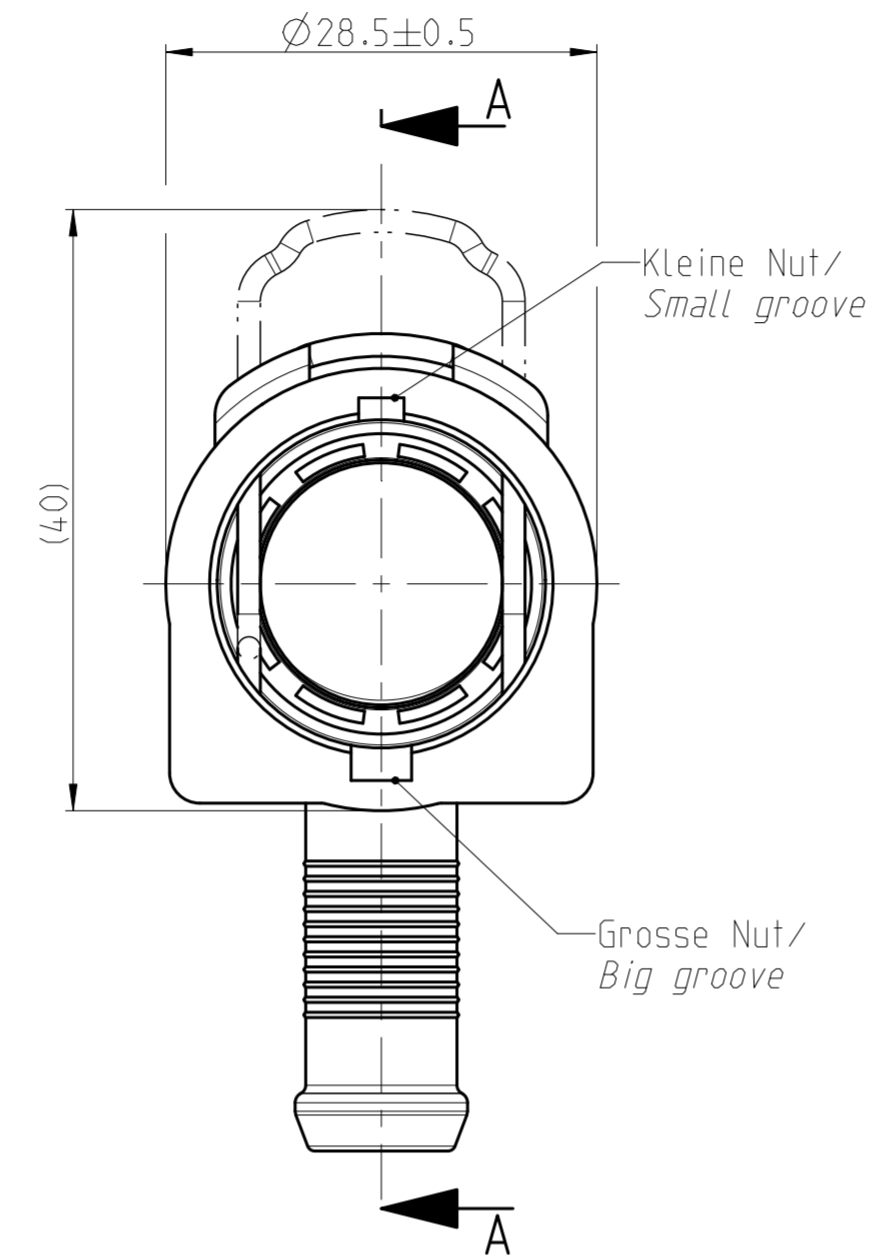
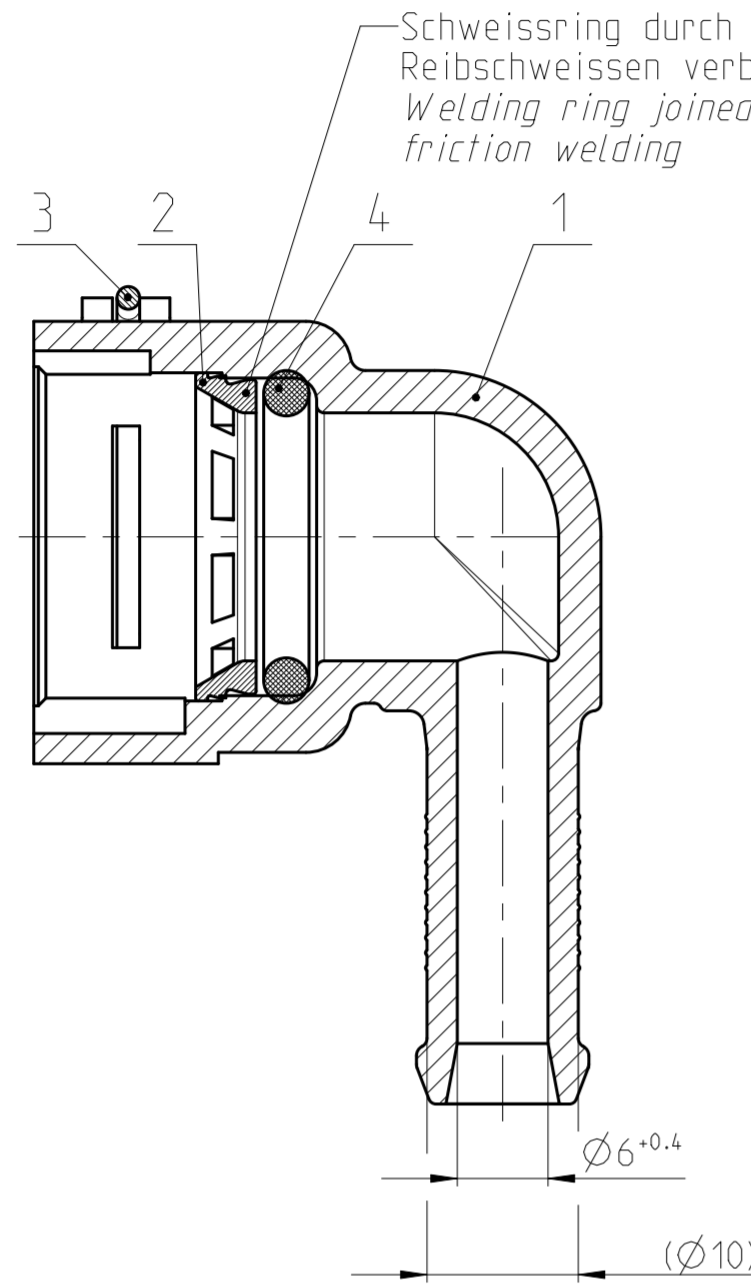
-	-	-	-	-	-	-	-	-
-	-	-	-	-	-	-	-	-
-	-	-	-	-	-	-	-	-
-	A	1	Stueckliste Pos.3 war DIN2076-1.4310-1.5/Parts List Pos.3 was DIN2076-1.4310-1.5	606095	08.11.07	D+P / (MW)	Bauer	
INDEX Teil Part	Zeichn. DWG	Anz. QTY.	Aenderung DESCRIPTION	Aend.Nr. CHANGE-NO	Datum DATE	Bearb. DRAWN	Gepr. CHECKED	
Allgemeintoleranz: GENERAL TOLERANCE:	Form- und Lagetoleranz: FORM AND POS. TOL.:	Abmass fuer Winkel: DEVIATION FOR ANGLE	Gewicht / WEIGHT: errechnet CALCULATED	gewogen ACTUAL	Volumen: VOLUME:	Pruefkenzeichnung: TEST MARKING:		
DIN 16901-130	DIN ISO 2768	±2°	-	-	- cm ³			
Projektions-Methode 1 1st ANGLE PROJECTION DIN 6	Material: see parts list	PART NAME: NORMAQUICK PS3 NW12-10-90° Locking bail black						
	Material-No.:	see parts list						
	Oberflaeche:	see parts list						
	SURF. QUAL.:	-						
NORMA-Patentnummer: PATENT NUMBER:	Masstab: SCALE:	Datum/DATE	Name/NAME	Benennung: NORMAQUICK PS3 NW12-10-90° Verriegelungsbuegel schwarz				
-	2:1	27.10.03	TS/SK					
-	-	-	Bauer					
-	-	-	-					
ZNE:			NORMA NORMA Germany GmbH		Zeichnungs-Nr./DRAWING-NO.:			
Postfach 1149 ● 63461 Maintal					0702 8017 012			
UNSPRUNG/ANFRAGE: ENQUIRY-NO.:			Schutzvermerk nach ISO 16016 beachten CONSIDER AFTER PROTECTION NOTICE ISO 16016		INDEX Teil/PART		DIN A SHEET:	
9900011609			© COPYRIGHT BY NORMA Group		-		3 1	
CAD-SYSTEM: CATIA V4			DRAWING-NAME: 07028019012		SUB.F.:		SUB.FROM:	
			MODEL-NAME: 07028019012		-		-	
					MODEL-TYP: ASSEM			

Zeichnungs-Nr./DRAWING-NO.:
0702 8017 012 A

Angebotszeichnung
QUOTATION DRAWING

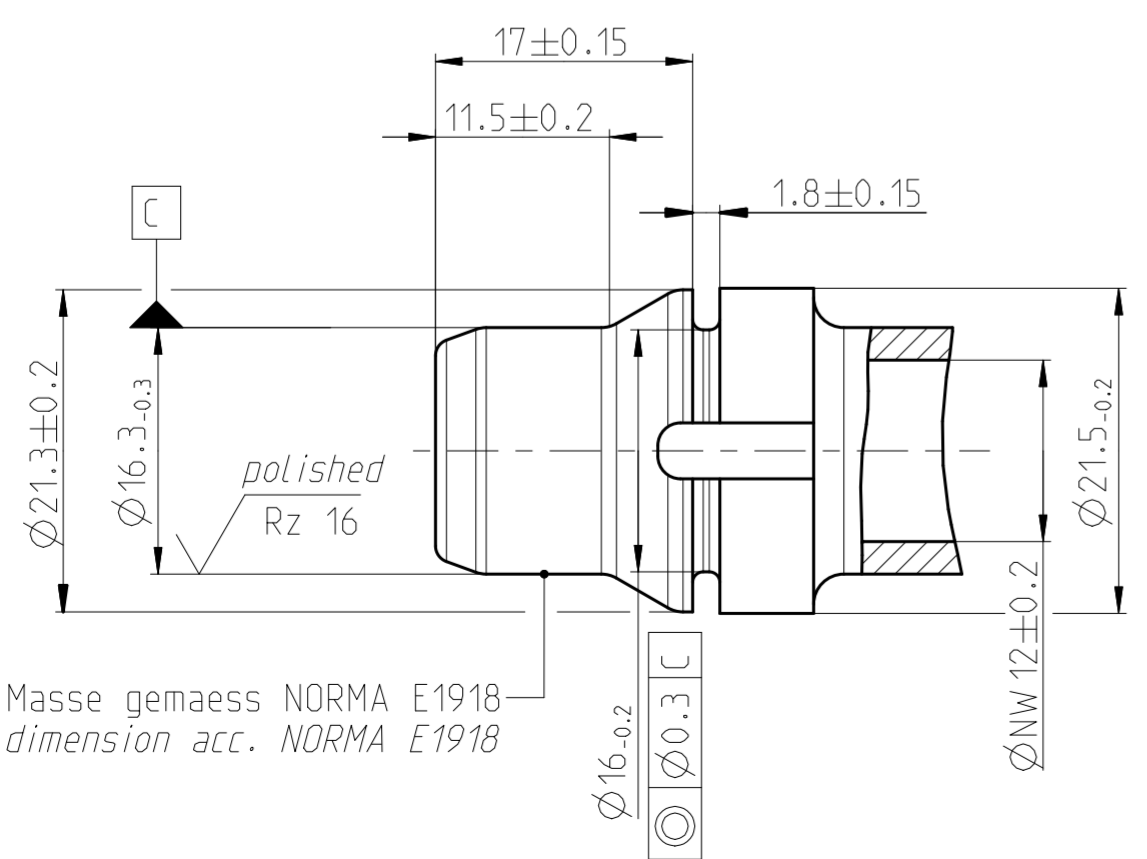
Teil-Nr ITEM-NO	Stueck QTY	Benennung PART - NAME	Werkstoff MATERIAL	Oberflaeche SURFACE
1	1	Housing NW 12-10-90°	PA66-GF30	black
2	1	Weld ring NW 12	PA66-GF30	black
3	1	Locking bail NW 12	EN10270-3-1.4310-NS-1.5	black
4	1	O-RING 16.0 X 3.0	EPDM-60	black

SCHNITT/SECTION A-A
MASSSTAB/SCALE 2:1



MASSSTAB/SCALE 1:1

Ansicht Stutzen / View spigot
MASSSTAB/SCALE 2:1



B1

NORMAQUICK - ASSEMBLY MARKING	
Customer part-No.:	-
Trademark:	-
Manufacturer code:	NORMA-RSS
NORMA date code:	XX YY
Material code molding part:	>PA66-GF30<

B2

Performance features for NQ PS3 - VDA	
Medium	coolant water
Operation temperature	-40°C thru 135°C, short-term up to 150°C (max. 30 min. over lifetime)
Operation pressure	0 to 2 bar, partial pulsating (sinusoidal)

-	-	-	-	-	-	-	-	-	-
-	C	1	German name was NORMAQUICK PS3 NW 12-12-90°	-	-	2014-12-15	Panchal	Ries	-
-	B	2	Created in proe & drawing separation; 1) Marking table added; 2) Note added;	-	-	2014-11-18	Tandle	Ries	-
-	A	1	Stueckliste Pos.3 was DIN2076-1.4310-1.5/Parts List Pos.3 was DIN2076-1.4310-1.5;	606095	2007-11-08	D+P(MW)	Bauer	-	-
INDEX Teil/ PART	Zeichg DWG	Anz. QTY.	Aenderung DESCRIPTION		Aend.Nr. CHANGE-NO.	Datum DATE	Bearb. DRAWN	Gepr. CHECKED	
Allgemeintoleranz: GENERAL TOLERANCE:		Form- und Lagetoleranz: FORM AND POS. TOL.:		Abmass fuer Winkel: DEVIATION FOR ANGLE:		Gewicht / WEIGHT: errechnet / gewogen CALCULATED / actual		Volumen: VOLUME:	
DIN 16901-130		DIN ISO 2768		±2°		-		- cm ³	
Projektions-Methode 1 1st ANGLE PROJECTION DIN ISO 128-30		Material: see parts list Material-No.: see parts list Oberflaeche: see parts list SURF. QUAL.:		PART NAME: NORMAQUICK PS3 NW 12-10-90° Locking Bail black					
NORMA-Patentnummer: PATENT NUMBER:		Massstab: SCALE:		Datum/DATE		Name/NAME			
-		1:1		2003-10-27		TS/SK Bauer			
Bandlaenge: LENGTH OF BAND:		Schutzvermerk nach ISO 16016 beachten CONSIDER AFTER PROTECTION NOTICE ISO 16016							
-		-							
ZNE:		-							
Ursprung/Anfrage: ENQUIRY-No.:		NORMA Germany GmbH Postfach 1149 • 63461 Maintal © COPYRIGHT BY NORMA Group		Zeichnungs-Nr./DRAWING-NO.:		INDEX PART DWG TYPE			
9900011609		-		0702 8017 012		00 0C Q			
CAD-SYSTEM Pro/Engineer		DRAWING-NAME: 07028017012_Q		SUB.F.: ENG 07158		SUB.FROM: Bauer			
-		-		MODEL-NAME: 07028017012		MODEL-TYP: ASSEM			



info@iq-parts.nl
Harsweg 34A
2461 EZ Ter Aar
T +31 252 624 126
The Netherlands