

iQ parts
IQ-PARTS-SHOP.COM

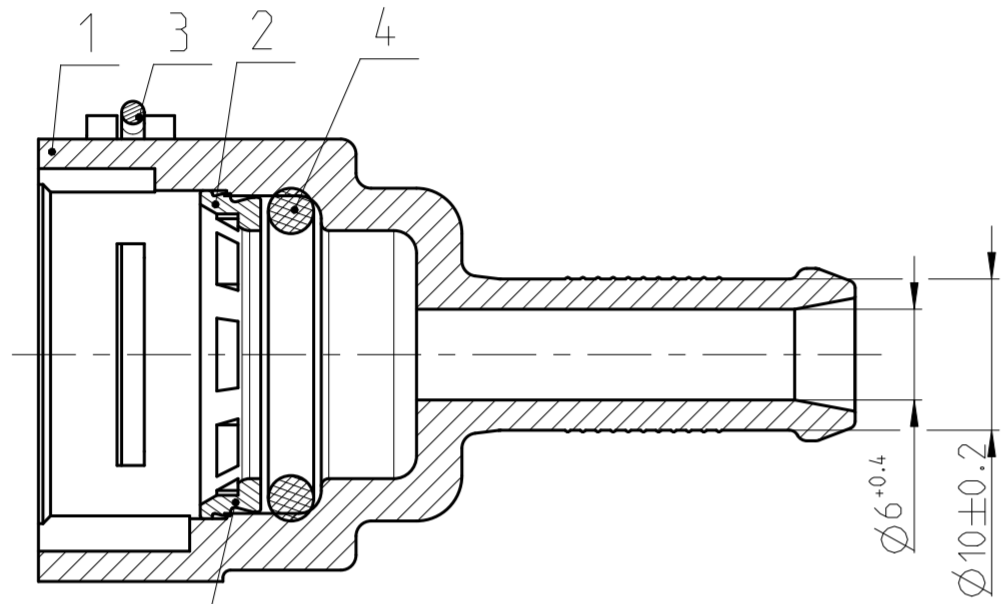


**SPECS &
INFORMATION**

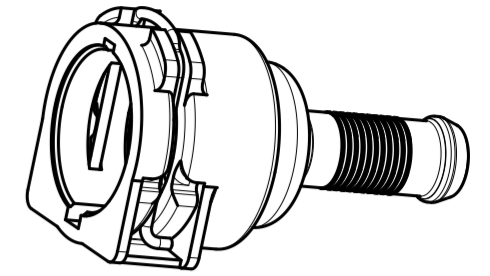
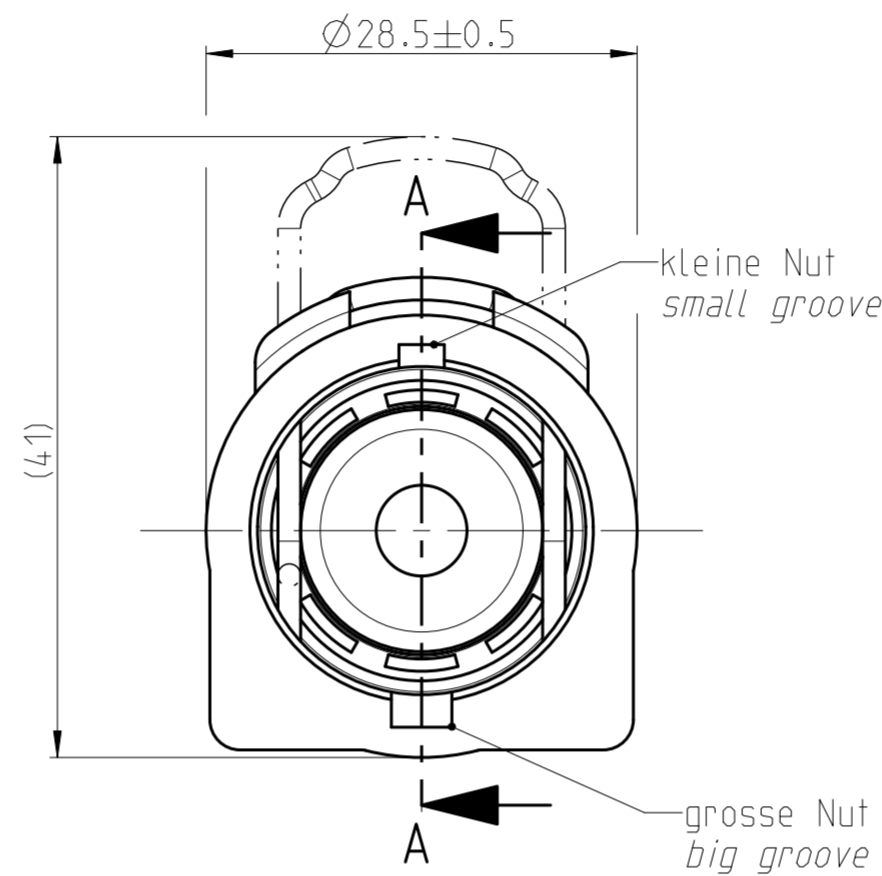
Angebotszeichnung
QUOTATION DRAWING

Teil-Nr ITEM-NO	Stueck QTY	Benennung PART - NAME	Werkstoff MATERIAL	Oberflaeche SURFACE
1	1	Housing NW 12-10-0*	PA66-GF30	black
2	1	Weld ring NW 12	PA66-GF30	black
3	1	Locking bail NW 12	EN10270-3-1.4310-NS-1.5	black
4	1	O-RING 16.0 X 3.0	EPDM-60	black

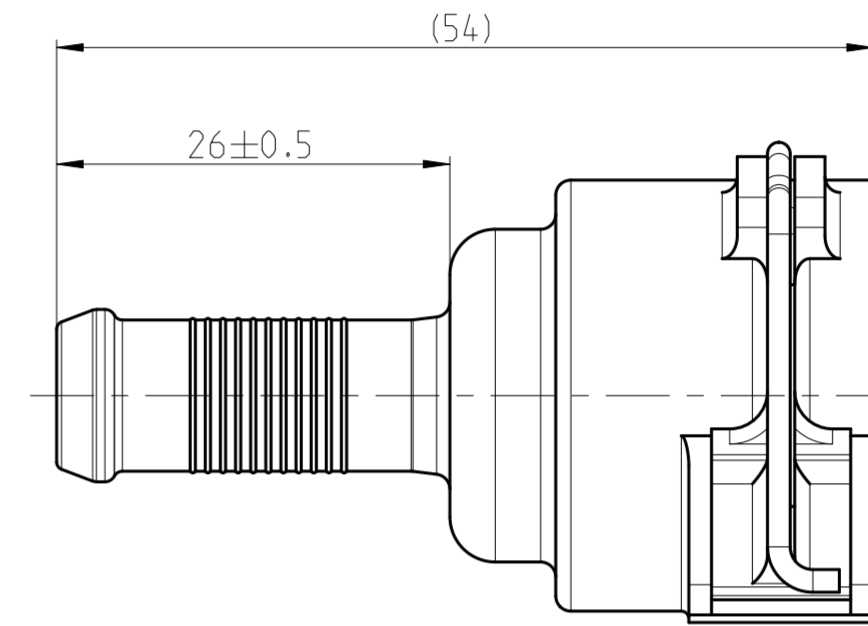
SCHNITT/SECTION A-A



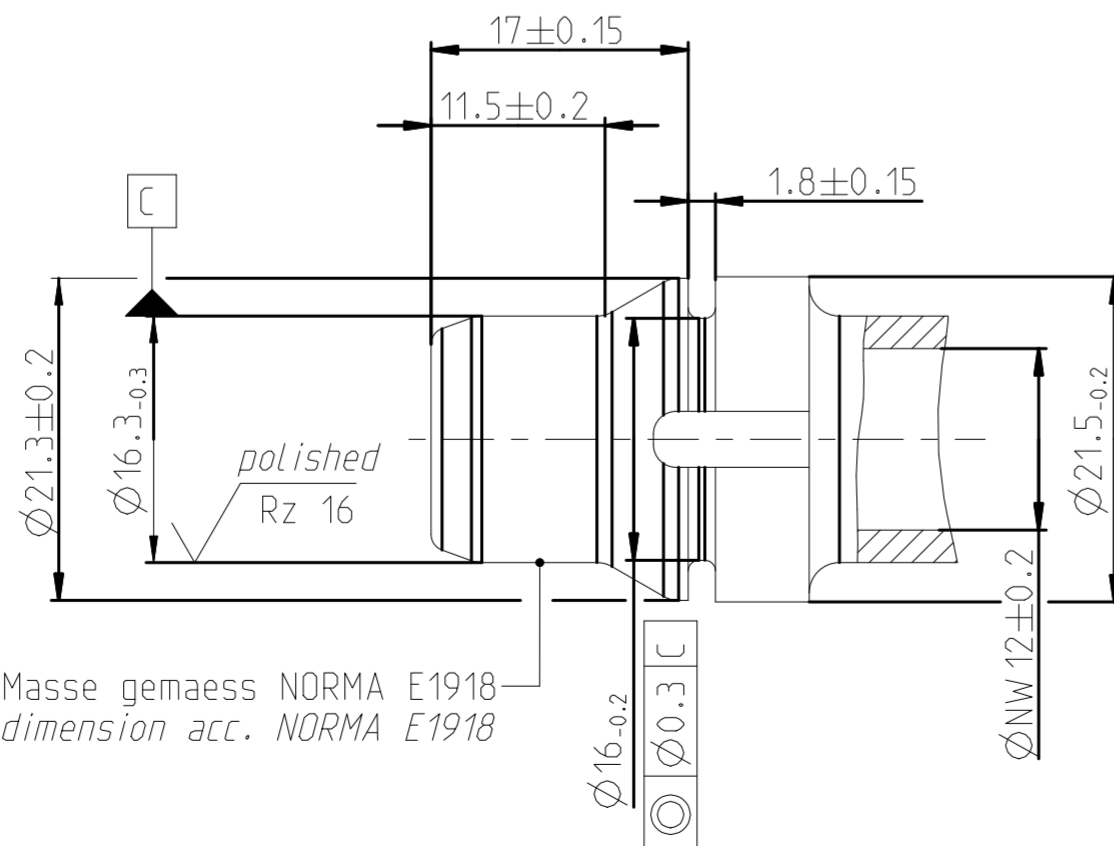
Schweisring durch Reibschweissen verbunden.
Welding ring connected by friction welding.



MASSTAB/SCALE 1:1



Ansicht Stutzen/View spigot
MASSTAB/SCALE 2:1



Nicht angegebene Masse gemass NORMA E1918
Not specified dimension acc. NORMA E1918

NORMAQUICK - ASSEMBLY MARKING	
Customer part-No.:	-
Trademark:	-
Manufacturer code:	NORMA-RSS
NORMA date code:	XX YY
Material code molding part:	>PA66-GF30<

B

Performance features for NQ PS3 - VDA	
Medium	coolant water
Operation temperature	-40°C thru 135°C, short-term up to 150°C (max. 30 min. over Lifetime)
Operation pressure	0 to 2 bar, partial pulsating (sinusoidal)

-	-	-	-	-	-	-	-	-	-
-	-	-	-	-	-	-	-	-	-
-	B	1	Drawing separated; 1) Notes added;	-	2015-02-02	Mandalapure	Ries	-	-
-	A	1	Stueckliste Pos.3 war DIN2076-1.4310-1.5/Part list Pos.3 was DIN2076-1.4310-1.5	607696	2009-07-08	RK/IC	Bauer	-	-
INDEX Teil/ PART	Zeichn/ DWG	Anz. QTY.	Aenderung DESCRIPTION		Aend.Nr. CHANGE-NO.	Datum DATE	Bearb. DRAWN	Gepr. CHECKED	
Allgemeintoleranz: GENERAL TOLERANCE:		Form- und Lagetoleranz: FORM AND POS. TOL.:		Abmass fuer Winkel: DEVIATION FOR ANGLE:	Gewicht / WEIGHT: errechnet CALCULATED		Volumen: VOLUME:		Pruefmarkenzeichnung: TEST MARKING:
DIN 16901-130		DIN ISO 2768		±2°	-		- cm ³		
Projektions-Methode 1 1st ANGLE PROJECTION DIN ISO 128-30		Material: see parts list Material-No.: - Oberflaeche: see parts list SURF. QUAL.: -			PART NAME: NORMAQUICK PS3 NW 12-10-0° Locking Bail black				
NORMA-Patentnummer: PATENT NUMBER:		Massstab: SCALE:	Datum/DATE	Name/NAME	Benennung: NORMAQUICK PS3 NW 12-10-0° Verriegelungsbuegel schwarz				
Bandlaenge: LENGTH OF BAND:		2:1	Bearb./DRAWN 2003-10-27	TS/SK					
ZNE:		Gepr./CHECKED	-	Bauer					
Ursprung/Anfrage: ENQUIRY-No.:		Schutzvermerk nach ISO 16016 beachten CONSIDER AFTER PROTECTION NOTICE ISO 16016		Kunde/CUSTOMER:					
9900011609		NORMA Germany GmbH Postfach 1149 • 63461 Maintal		Zeichnungs-Nr./DRAWING-NO.:		DIN A		SHEET- SHEETS	
9900011609		© COPYRIGHT BY NORMA Group		0702 8016 012		2		1 1	
CAD-SYSTEM Pro/Engineer		DRAWING-NAME: 07028016012_Q		SUB.F.: -		INDEX PART DWG		TYPE	
		DRAWING-NAME: 07028016012_Q		SUB.FROM: -		00		10B Q	
		MODEL-NAME: 07028016012		MODEL-TYP: ASSEM					



info@iq-parts.nl
Harsweg 34A
2461 EZ Ter Aar
T +31 252 624 126
The Netherlands