

**iQ parts**  
IQ-PARTS-SHOP.COM

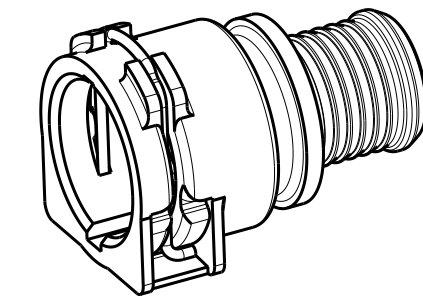
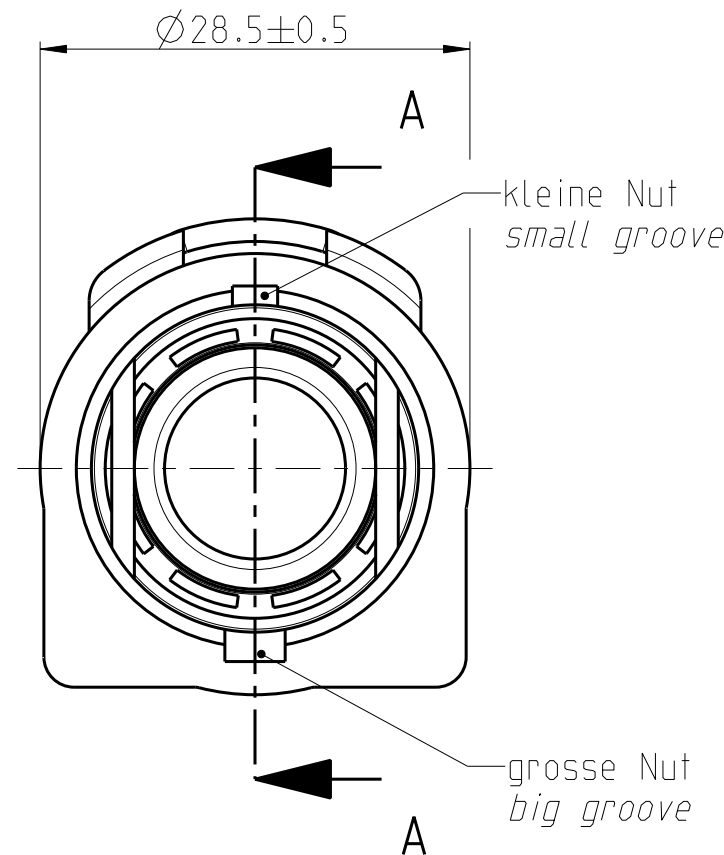
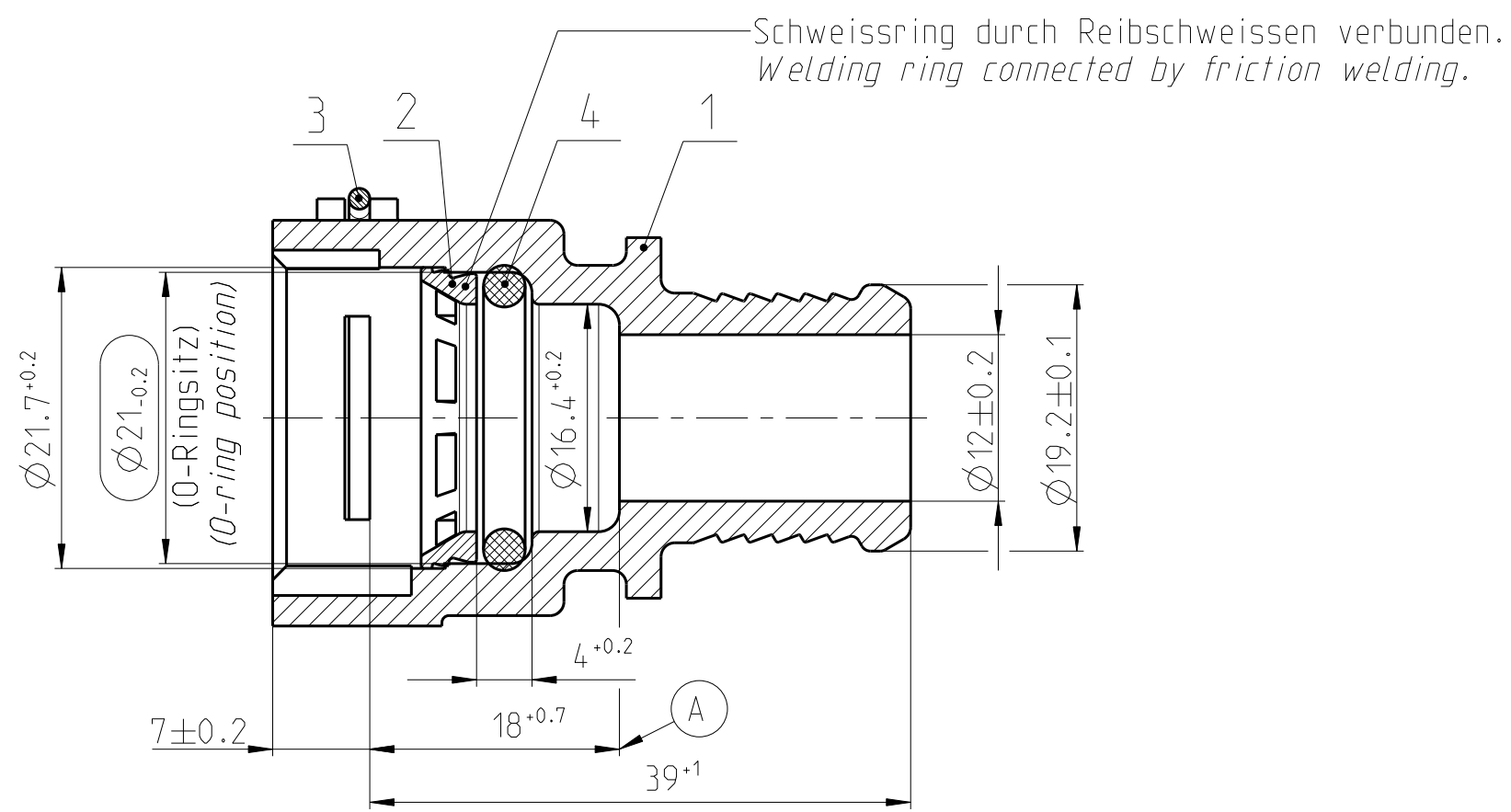


**SPECS &  
INFORMATION**

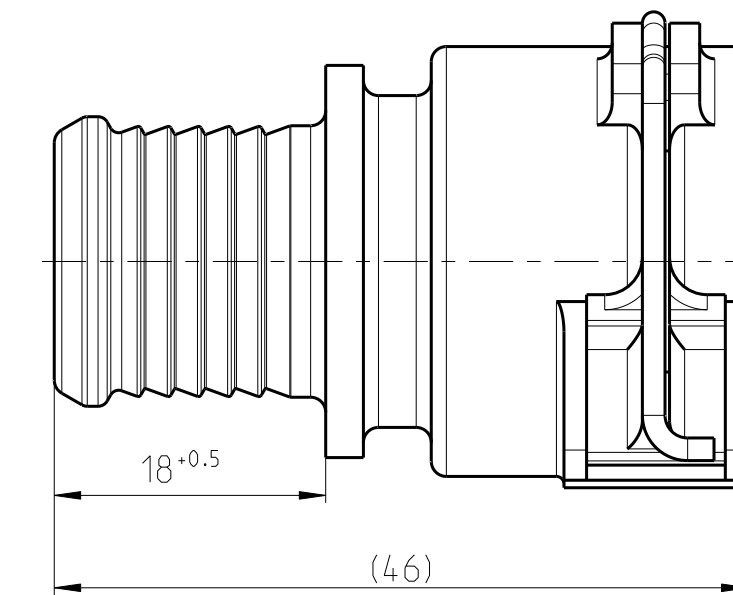
Angebotszeichnung  
QUOTATION DRAWING

Teil-Nr. ITEM-NO.	Stueck QTY.	Benennung PART - NAME	Werkstoff MATERIAL	Oberflaeche SURFACE
1	1	Housing NW12-0°	PA66-GF30	black
2	1	Weld ring NW12	PA66-GF30	black
3	1	Locking bail NW12	EN10270-3 -1.4310-NS-1.5	blank
4	1	O-RING 16.0 X 3.0	EPDM-60	black

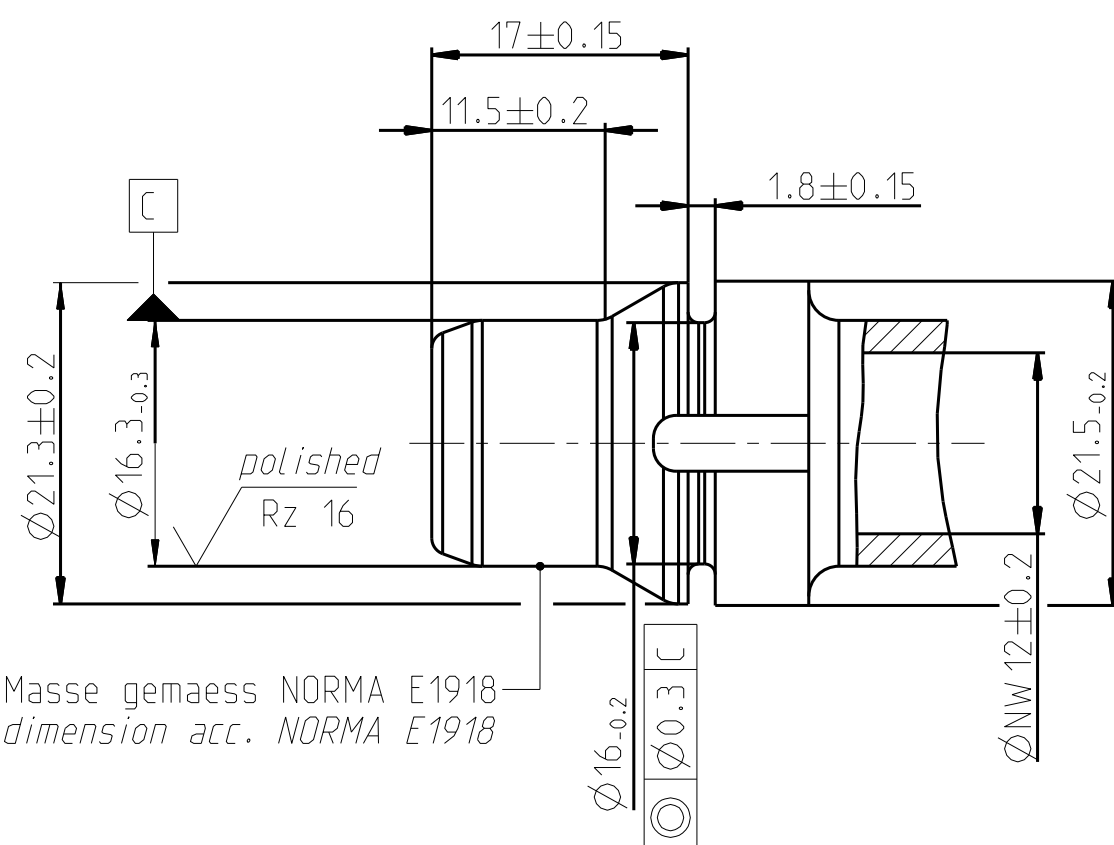
SCHNITT/SECTION A-A



MASSTAB/SCALE 1:1



Ansicht Stutzen/View spigot  
MASSTAB/SCALE 2:1



Performance features for NQ PS3 - VDA	
Medium	coolant water
Operation temperature	-40°C thru 135°C, short-term up to 150°C (max. 30 min. over Lifetime)
Operation pressure	0 to 2 bar, partial pulsating (sinusoidal)

NORMAQUICK - ASSEMBLY MARKING	
Customer part-No.:	-
Trademark:	-
Manufacturer code:	NORMA-RSS
NORMA date code:	XX YY
Material code molding part:	>PA66-GF30<

INDEX Teil PART	Zeichn. DWG	Anz. QTY.	Aenderung DESCRIPTION	Aend.-Nr. CHANGE-NO.	Datum DATE	Bearb. DRAWN	Gepr. CHECKED
-	-	-	-	-	-	-	-
-	C	-	Zeichnungsformat geaendert, keine Geometriaenderung Drawing format changed, no design change	-	2013-02-04	Herrmann	Ries
-	B	-	Mass 7±0.15 entfernt (Korrektur)	-	2010-04-21	Danzebrink	Ries
-	A	1	Zeichnung angepasst/drawing aligned: 18 <sup>+0.7</sup> war 18 <sup>+0.4</sup> /18 <sup>+0.7</sup> was 18 <sup>+0.4</sup>	-	2008-01-16	ibb/MP	Bauer

ALLGEMEINTOLERANZ: GENERAL TOLERANCE:	Form- und Lagetoleranz: FORM AND POS. TOL.:	Abmass fuer Winkel: DEVIATION FOR ANGLE:	Gewicht / WEIGHT: errechnet / calculated	Volumen: VOLUME:	Pruefmarkenzeichnung: TEST MARKING:
DIN 16901-130	DIN ISO 2768	±2°	-	- cm <sup>3</sup>	-

Projektions-Methode 1st ANGLE PROJECTION DIN ISO 128-30	Material: Material-No.:	Oberflaeche: SURF. QUAL.:	PART NAME:
1st ANGLE PROJECTION	see drawing	see drawing	NORMAQUICK PS3 NW12-0°

NORMA-Patentnummer: PATENT NUMBER:	Massstab: SCALE:	Datum/DATE	Name/NAME	Benennung:
-	2:1	17.02.00	Imago-Gr	NORMAQUICK PS3 NW12-0°

Bandlaenge: LENGTH OF BAND:	Schutzvermerk nach ISO 16016 beachten CONSIDER AFTER PROTECTION NOTICE ISO 16016	Kunde/CUSTOMER:	DIN A	SHEET:	SHEETS
-	-	-	2	1	1

ZNE:	Ursprung/Anfrage: ENQUIRY-NO.:	NORMA Germany GmbH Postfach 1149 • 63461 Maintal	Zeichnungs-Nr./DRAWING-NO.:	INDEX PART	DWG DWG	TYPE
-	9990003576	© COPYRIGHT BY NORMA Group	0702 8009 012	00	0C	Q

CAD-SYSTEM	PRO/ENGINEER	DRAWING-NAME:	07028009012_Q	MODEL-NAME:	07028009012	MODEL-TYP:	ASSEM
------------	--------------	---------------	---------------	-------------	-------------	------------	-------





info@iq-parts.nl  
Harsweg 34A  
2461 EZ Ter Aar  
T +31 252 624 126  
The Netherlands