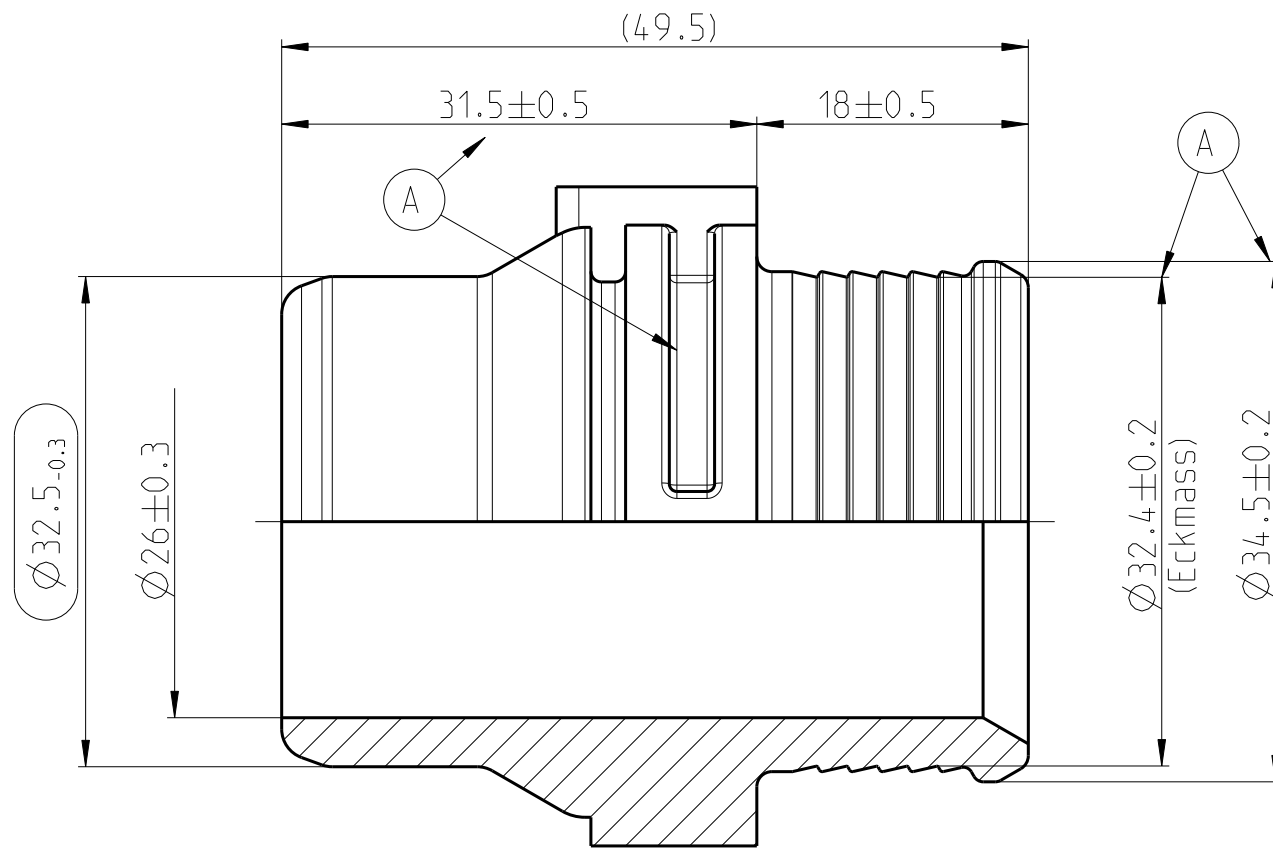


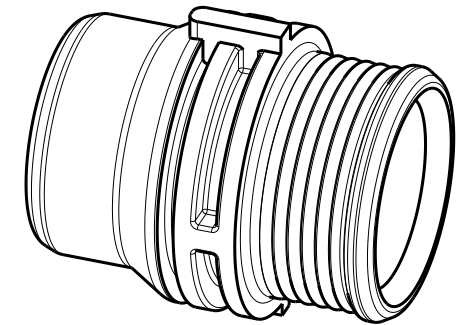
iQ parts
IQ-PARTS-SHOP.COM



**SPECS &
INFORMATION**



MASSTAB 1:1



Zeichnungs-Nr./DRAWING-NO.:
0702 8008 026

Teil/PART Zeichng/DWG
-
INDEX
A

| - | - | - | - | - | - | - | - | - | - | | |
|--|----------------|---|--|--|---|--|------------------------|--|-----------------|--------------------------------------|---------------------|
| - | - | - | - | - | - | - | - | - | - | | |
| - | - | - | - | - | - | - | - | - | - | | |
| - | A | - | 31.5±0.5 war +0.5; Tol. Ø32.4±0.2 zgf; Mass Ø34.5±0.2 zgf; Rippen ergaenzt | | | | 601877 | 05.08.03 | SB/SK | Bauer | |
| INDEX Teil/ PART | Zeichng DWG | Anz. QTY. | Aenderung DESCRIPTION | | | | Aend.Nr. CHANGE-NO. | Datum DATE | Bearb. DRAWN | Gepr. CHECKED | |
| Allgemeintoleranz: GENERAL TOLERANCE: | | Form- und Lagetoleranz: FORM AND POS. TOL.: | | Abmass fuer Winkel: DEVIATION FOR ANGLE: | | Gewicht / WEIGHT: errechnet CALCULATED gewogen actual | | Volumen: VOLUME: | | Pruefkennzeichnung: TEST MARKING: | |
| DIN 16901-130 | | DIN ISO 2768 | | ±2 ° | | - | | 19.0 cm ³ | | | |
| Projektions-Methode 1 1st ANGLE PROJECTION DIN 6 | | Material: PA66-GF30 Material-No.: - Oberflaeche: black SURF. QUAL.: DIN ISO 1302 | | PART NAME: Double spigot NW 26-0 ° - NORMAQUICK PS3 | | | | | | | |
| NORMA-Patentnummer: PATENT NUMBER: | | Masstab: SCALE: 2:1 | | Datum/DATE 01.11.00 | | Name/NAME Imago-Gr Bauer | | Benennung: Doppelstutzen NW 26-0 ° - NORMAQUICK PS3 | | | |
| | | NORMA Germany GmbH Postfach 1149 • 63461 Maintal | | | | | | | | | |
| ZNE: | | Schutzvermerk nach ISO 16016 beachten CONSIDER AFTER PROTECTION NOTICE ISO 16016 | | 0702 8008 026 | | Zeichnungs-Nr./DRAWING-NO.: | | INDEX Teil/PART Zeichng/DWG | | DIN A | SHEET: 1 2 SH |
| Ursprung/Anfrage: ENQUIRY-No.: 9990003576 | | © COPYRIGHT BY NORMA Group | | SUB.F.: - | | SUB.FROM: - | | | | | |
| CAD-SYSTEM Pro/Engineer | | DRAWING-NAME: 07028008026 | | MODEL-NAME: 07028008026 | | MODEL-TYP: PART | | | | | |



info@iq-parts.nl
Harsweg 34A
2461 EZ Ter Aar
T +31 252 624 126
The Netherlands