

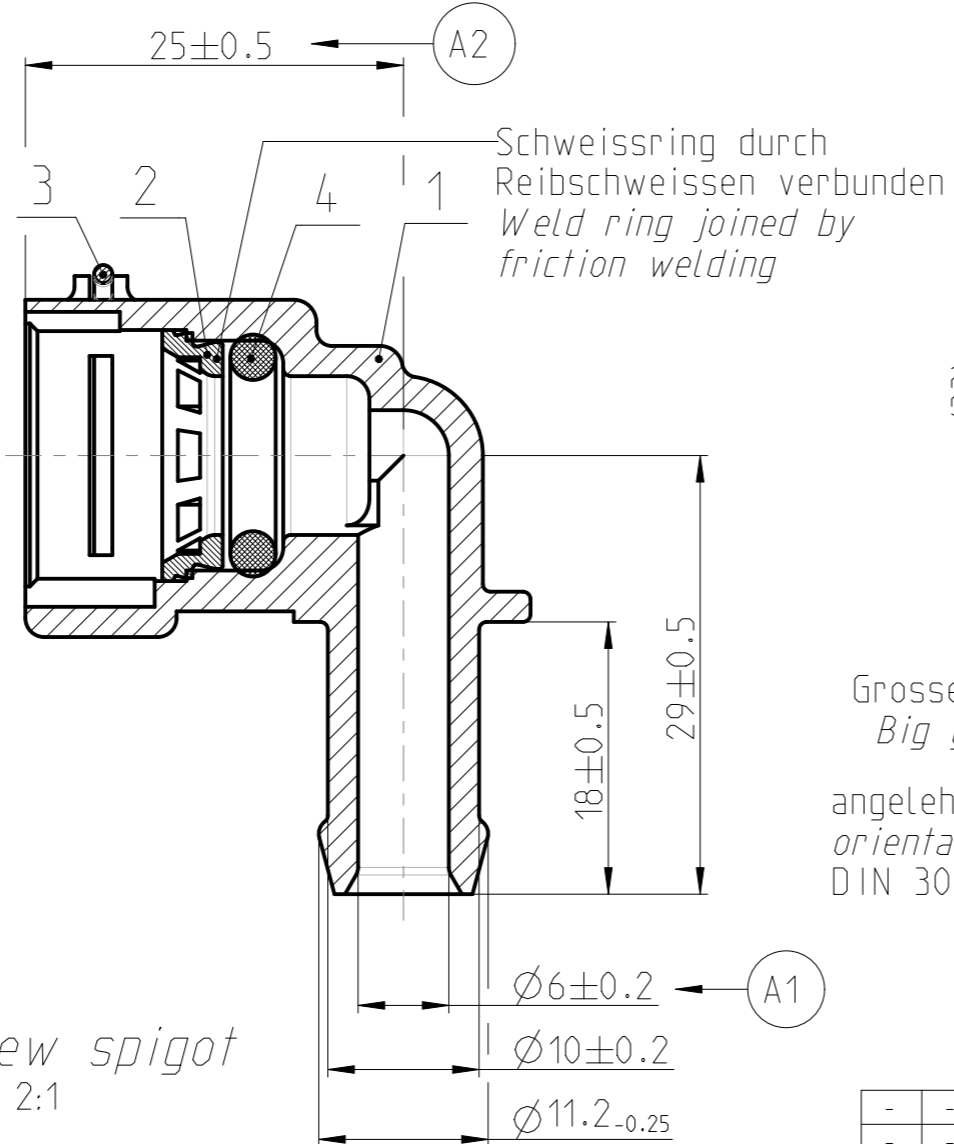
iQ parts
IQ-PARTS-SHOP.COM



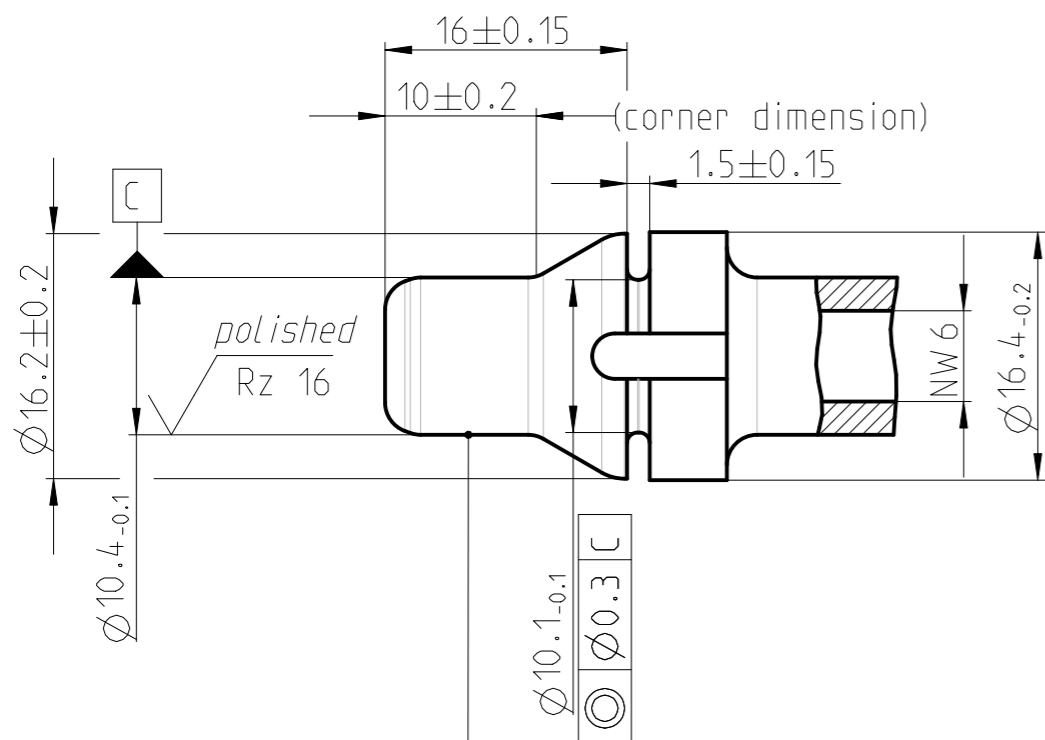
**SPECS &
INFORMATION**

Angebotszeichnung
QUOTATION DRAWING

SCHNITT / SECTION A-A

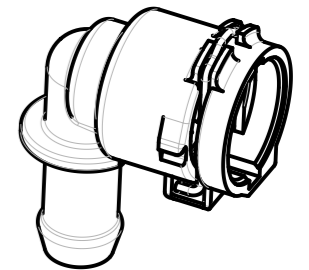
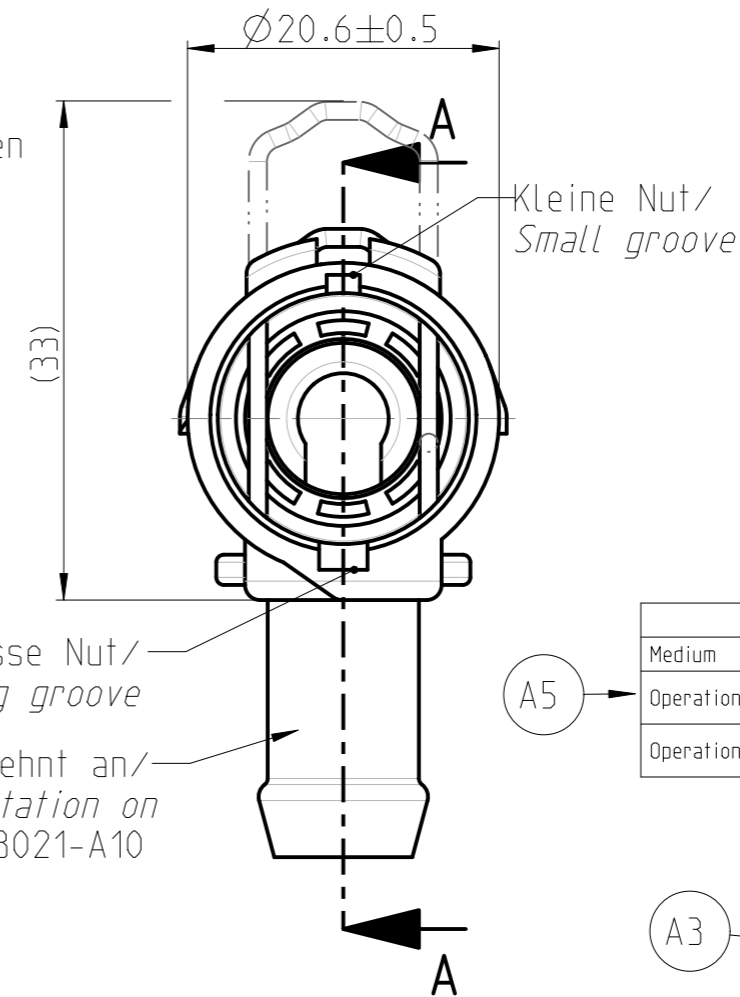


Ansicht Stutzen / View spigot
MASSSTAB / SCALE 2:1



Nicht angegebene Masse gemäss NORMA E1918
Not specified dimension acc. NORMA E1918

Teil-Nr ITEM-NO	Stueck QTY	Benennung PART - NAME	Werkstoff MATERIAL	Oberflaeche SURFACE
1	1	Housing NW 6-6-90°	PA66-GF30	black
2	1	Weld ring NW 6	PA66-GF30	black
3	1	Locking bail NW 6	EN10270-3-1.4310-NS-1.2	black
4	1	O-RING 10.0 X 3.0	EPDM-70	black



MASSSTAB / SCALE 1:1

Performance features for NQ PS3 - VDA	
Medium	coolant water
Operation temperature	-40°C thru 135°C, short-term up to 150°C (max. 30 min, over lifetime)
Operation pressure	0 to 2 bar, partial pulsating (sinusoidal)

NORMAQUICK - ASSEMBLY MARKING	
Customer part-No.:	-
Trademark:	-
Manufacturer code:	NORMA-RSS
NORMA date code:	XX YY
Material code molding part:	>PA66-GF30<

-	-	-	-	-	-	-	-	-	-
-	-	-	-	-	-	-	-	-	-
-	-	-	-	-	-	-	-	-	-
-	A	5	1) Tolerance was 0.1; 2) Tolerance was 0.2; 3) Marking table added; 4) Drawing format updated, no design change; 5) Note added; 6) Pos.3 & Pos.4 material notification was DIN 2076-1.4310-1.2 & EPDM;			-	2014-01-30	Guru	Ries
INDEX Teil PART	Zeichn DWG	Anz. QTY.	Aenderung DESCRIPTION			Aend.Nr. CHANGE-NO.	Datum DATE	Bearb. DRAWN	Gepr. CHECKED

ALLGEMEINTOLERANZ: GENERAL TOLERANCE:	Form- und Lagetoleranz: FORM AND POS. TOL.:	Abmass fuer Winkel: DEVIATION FOR ANGLE:	Gewicht / WEIGHT: errechnet CALCULATED	gewogen actual	Volumen: VOLUME:	Pruefkennzeichnung: TEST MARKING:
-	-	-	-	-	- cm ³	-

Projektions-Methode 1 1st ANGLE PROJECTION DIN ISO 128-30	Material: Material-No.:	Oberflaeche: SURF. QUAL.:	PART NAME:
	see parts list -	see parts list	NORMAQUICK PS3 NW 6-6-90° with hose bulb

NORMA-Patentnummer: PATENT NUMBER:	Massstab: SCALE:	Datum / DATE	Name / NAME	Benennung:
-	2:1	2010-07-16	SW / IC	NORMAQUICK PS3 NW 6-6-90° mit Schlauchbinne
		2010-07-16	Gerth	
		-	-	

Bandlaenge: LENGTH OF BAND:	Schutzvermerk nach ISO 16016 beachten CONSIDER AFTER PROTECTION NOTICE ISO 16016	Kunde / CUSTOMER:	DIN A	SHEET:	SHEETS
			3	1	1

ZNE:	Ursprung / Anfrage: ENQUIRY-No.:	NORMA Germany GmbH Postfach 1149 • 63461 Maintal	Zeichnungs-Nr. / DRAWING-NO.:	INDEX PART DWG	TYPE
	9901954601		0702 8008 006	00	0A

CAD-SYSTEM Pro/Engineer	© COPYRIGHT BY NORMA Group	SUB.F.: ENG 06967	SUB.FROM: Bauer
	DRAWING-NAME: 07028008006_Q	MODEL-NAME: 07028008006	MODEL-TYP: ASSEM



info@iq-parts.nl
Harsweg 34A
2461 EZ Ter Aar
T +31 252 624 126
The Netherlands