

iQ parts
IQ-PARTS-SHOP.COM

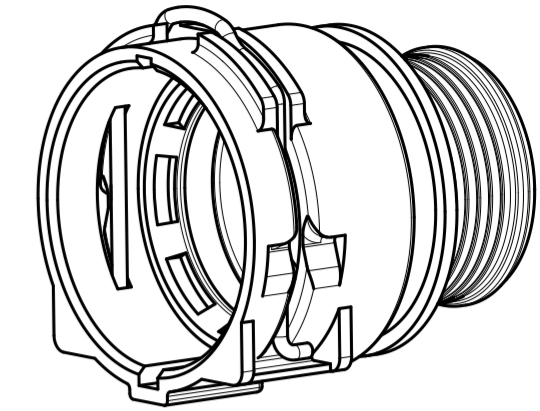
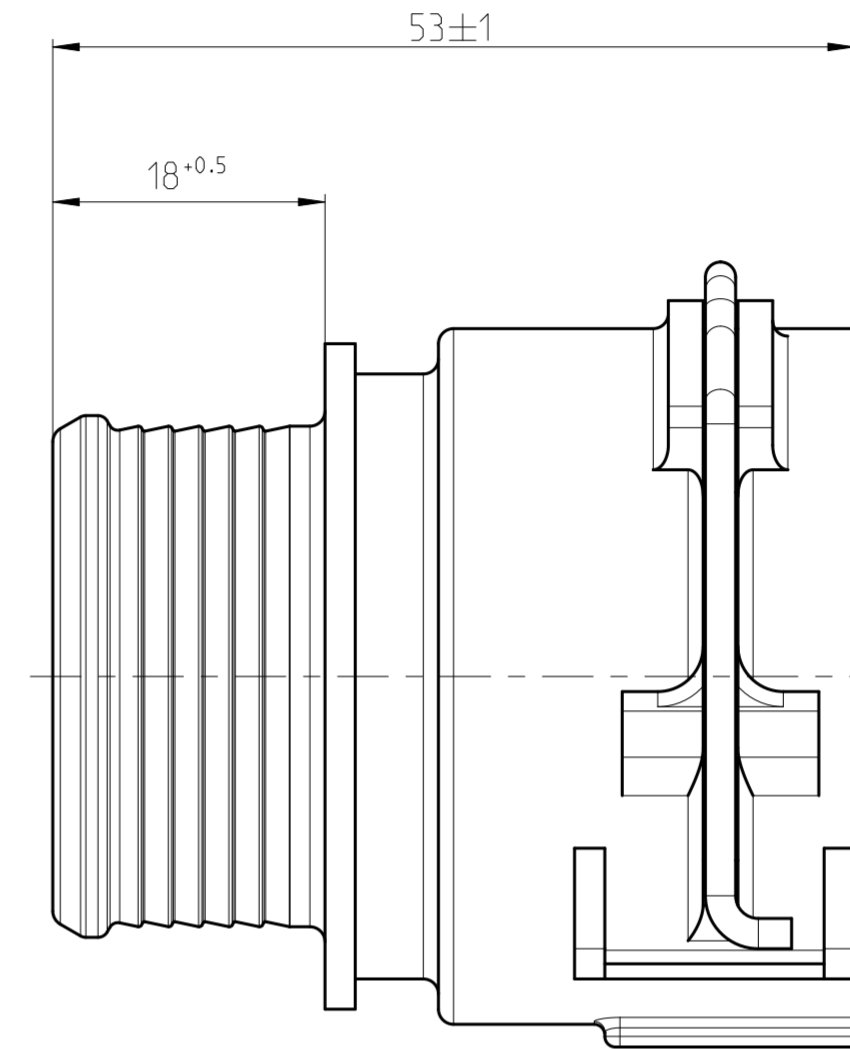
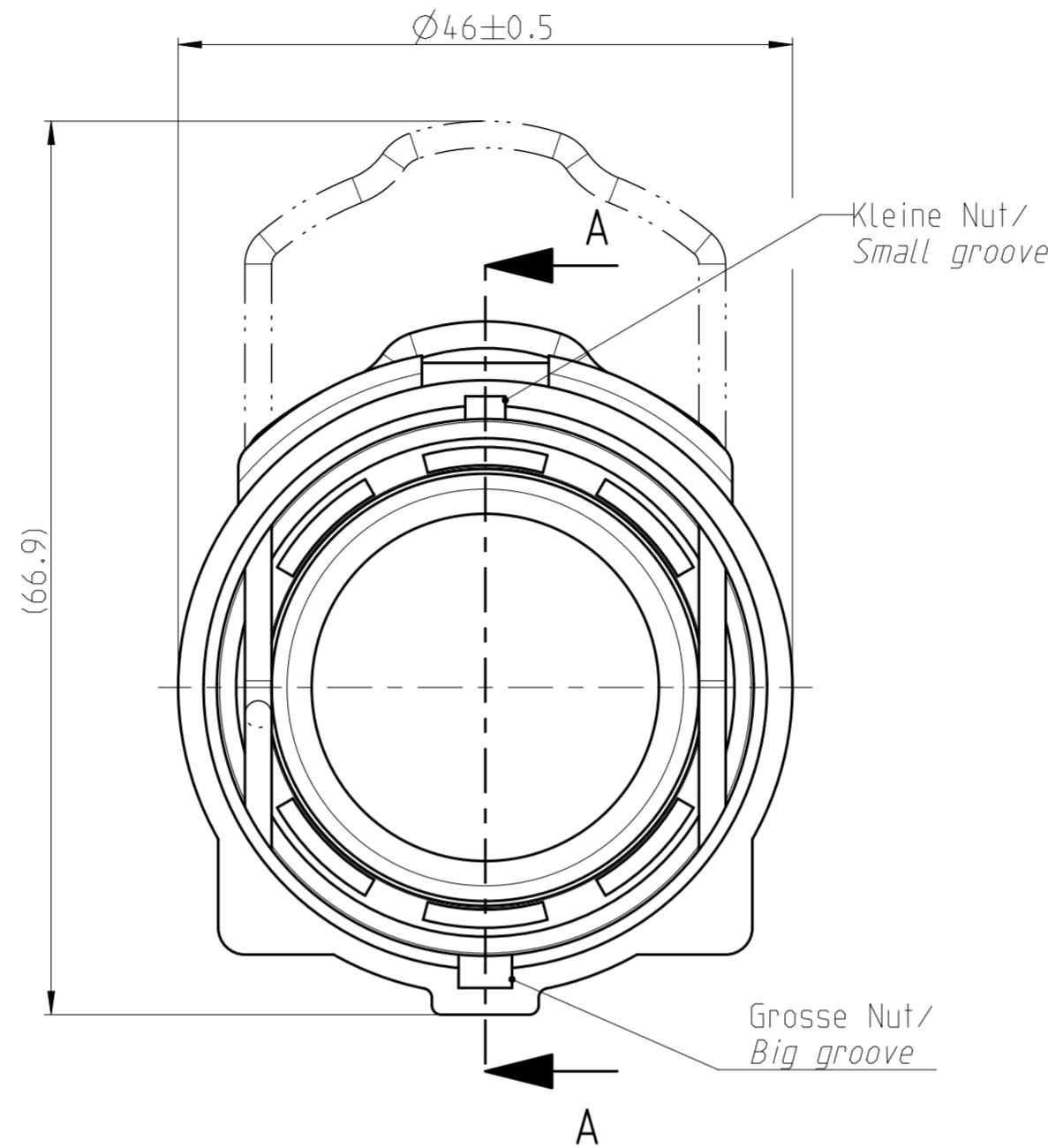
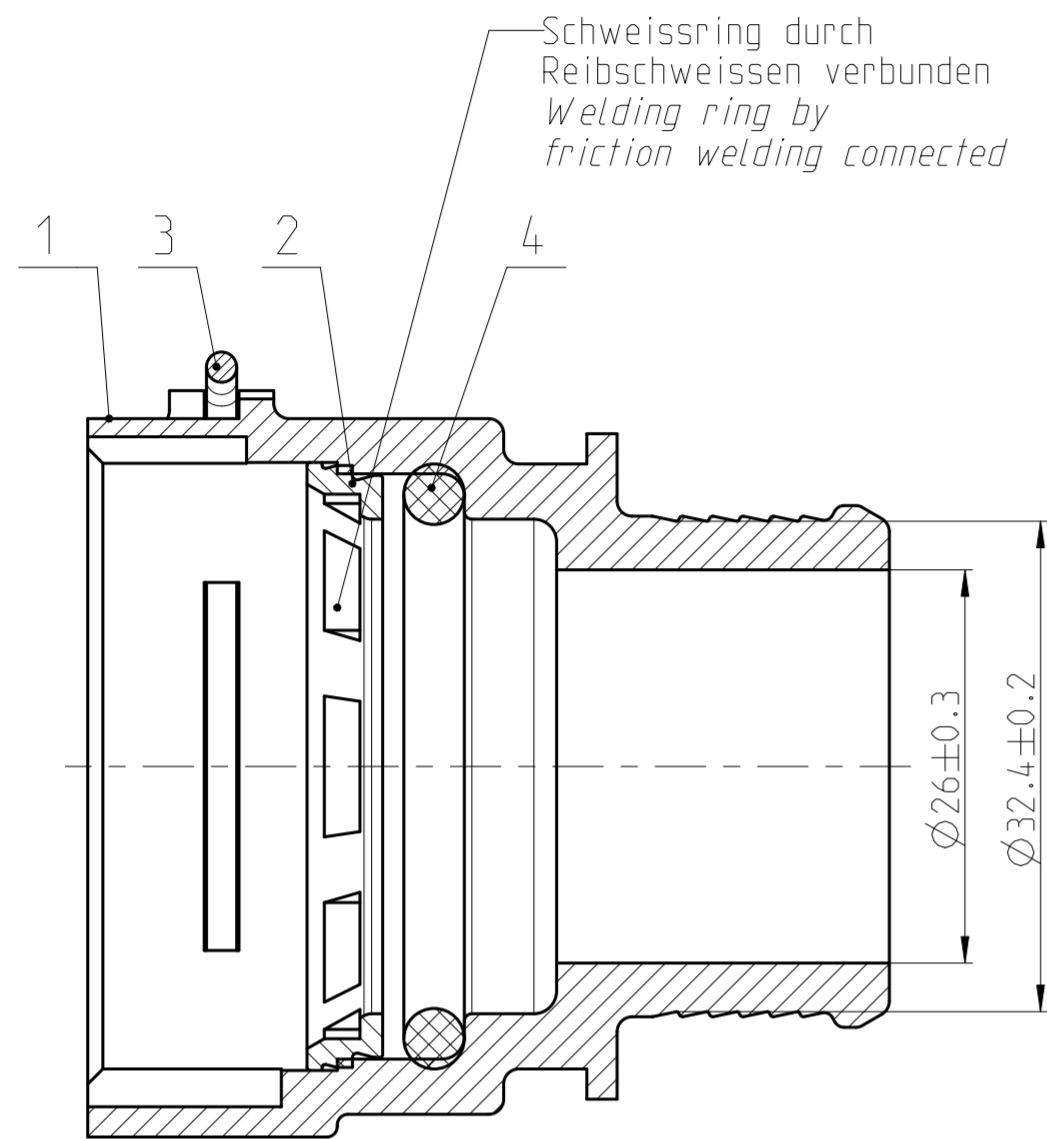


**SPECS &
INFORMATION**

Angebotszeichnung
QUOTATION DRAWING

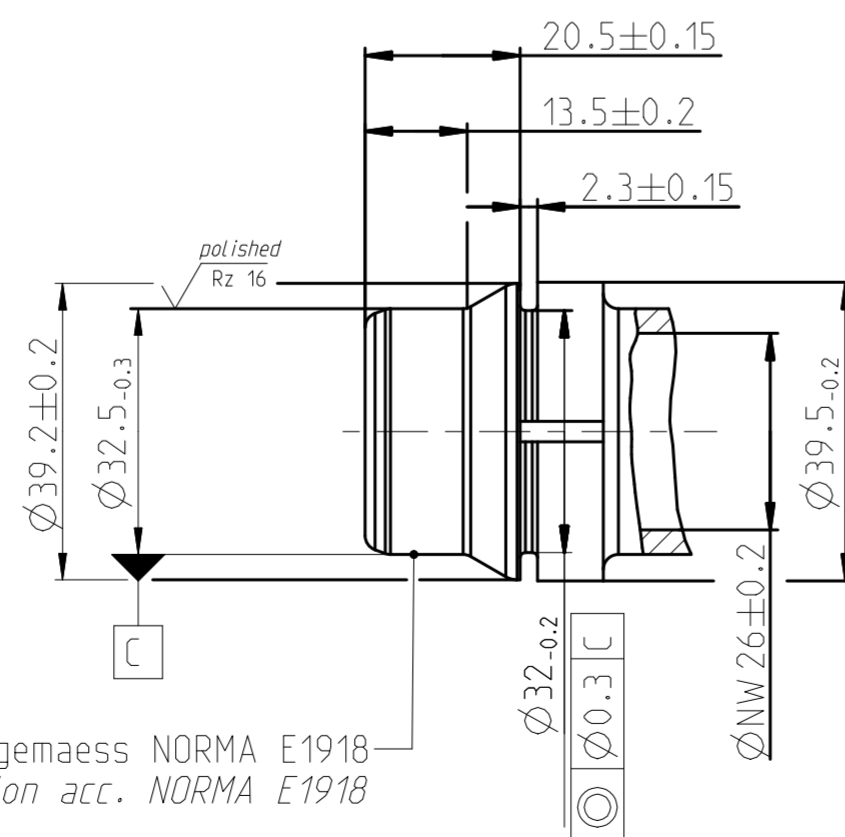
Teil-Nr ITEM-NO	Stueck QTY	Benennung PART - NAME	Werkstoff MATERIAL	Oberflaeche SURFACE
1	1	Housing NW 26-0 *	PA66-GF30	black
2	1	Weld ring NW 26	PA66-GF30	black
3	1	Locking bail NW 26	EN10270-3-1.4310-NS-2.0	blank
4	1	O-RING 32.0 X 4.0	EPDM-60	black

SCHNITT / SECTION A-A



MASSSTAB / SCALE 1:1

Ansicht Stutzen / View spigot
MASSSTAB / SCALE 1:1



Nicht angegebene Masse gemäss NORMA E1918
Not specified dimension acc. NORMA E1918

NORMAQUICK - ASSEMBLY MARKING

Customer part-No.:	-
Trademark:	-
Manufacturer code:	NORMA-RSS
NORMA date code:	XX YY
Material code molding part:	>PA66-GF30<

Performance features for NQ PS3 - VDA

Medium	coolant water
Operation temperature	-40°C thru 135°C, short-term up to 150°C (max. 30 min. over Lifetime)
Operation pressure	0 to 2 bar, partial pulsating (sinusoidal)

INDEX Teil/ PART	Anz. QTY.	Aenderung DESCRIPTION	Aend.Nr. CHANGE-NO.	Datum DATE	Bearb. DRAWN	Gepr. CHECKED
-	-	-	-	-	-	-
-	C 3	Drawing separated; 1) Marking table added; 2) Text added;	-	2014-06-26	Guru	Ries
-	B	Ø 21±0.7 war Ø 21.5±0.7	600564	2001-03-27	Imago-Gr	Bahner
-	A	war 8.2±0.2 / war 2.3±0.15 / war 21.3±0.4 / war 5.2±0.2 / war Ø 39±0.2	600146	2000-03-29	Bauer	Bahner

Allgemeintoleranz: GENERAL TOLERANCE:	Form- und Lagetoleranz: FORM AND POS. TOL.:	Abmass fuer Winkel: DEVIATION FOR ANGLE:	Gewicht / WEIGHT: errechnet / gewogen CALCULATED / actual:	Volumen: VOLUME:	Pruefkennzeichnung: TEST MARKING:
DIN 16901-130	DIN ISO 2768	±2°	-	- cm ³	
Projektions-Methode 1 1st ANGLE PROJECTION DIN ISO 128-30	Material: see parts list Material-No.: - Oberflaeche: see parts list SURF. QUAL.:	PART NAME: NORMAQUICK PS3 NW 26-0 °			
NORMA-Patentnummer: PATENT NUMBER:	Massstab: SCALE: 2:1	Datum/DATE 2000-02-21	Name/NAME Bauer	Benennung: NORMAQUICK PS3 NW 26-0 °	
Bandlaenge: LENGTH OF BAND:	Schutzvermerk nach ISO 16016 beachten CONSIDER AFTER PROTECTION NOTICE ISO 16016				
ZNE:	Kunde / CUSTOMER:				
Ursprung/Anfrage: ENQUIRY-No.:	NORMA Germany GmbH Postfach 1149 • 63461 Maintal © COPYRIGHT BY NORMA Group		Zeichnungs-Nr. / DRAWING-NO.:		INDEX PART DWG TYPE
9990003576	SUB.F.:		0702 8007 026		00 0C Q
CAD-SYSTEM Pro/Engineer	DRAWING-NAME: 07028007026_Q		MODEL-NAME: 07028007026		MODEL-TYP: ASSEM



info@iq-parts.nl
Harsweg 34A
2461 EZ Ter Aar
T +31 252 624 126
The Netherlands