

iQ parts
IQ-PARTS-SHOP.COM

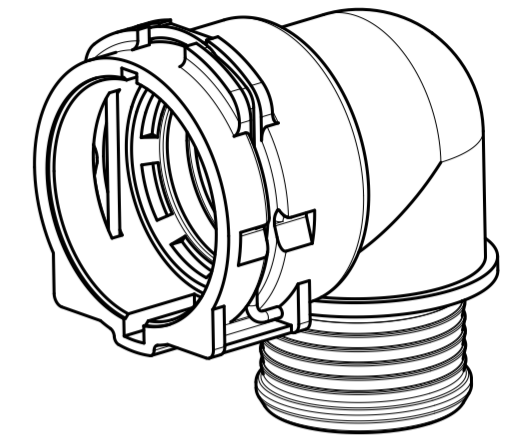
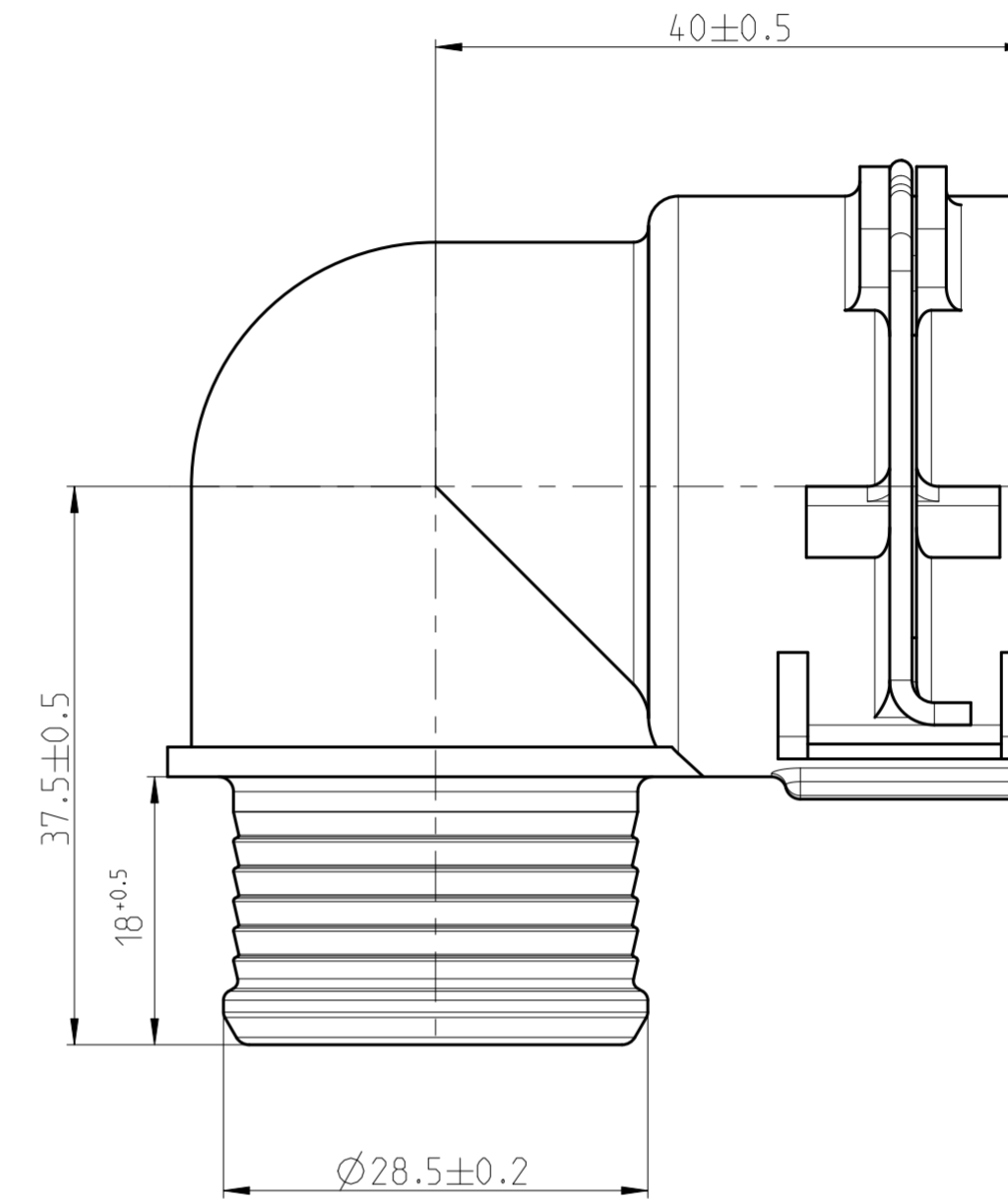
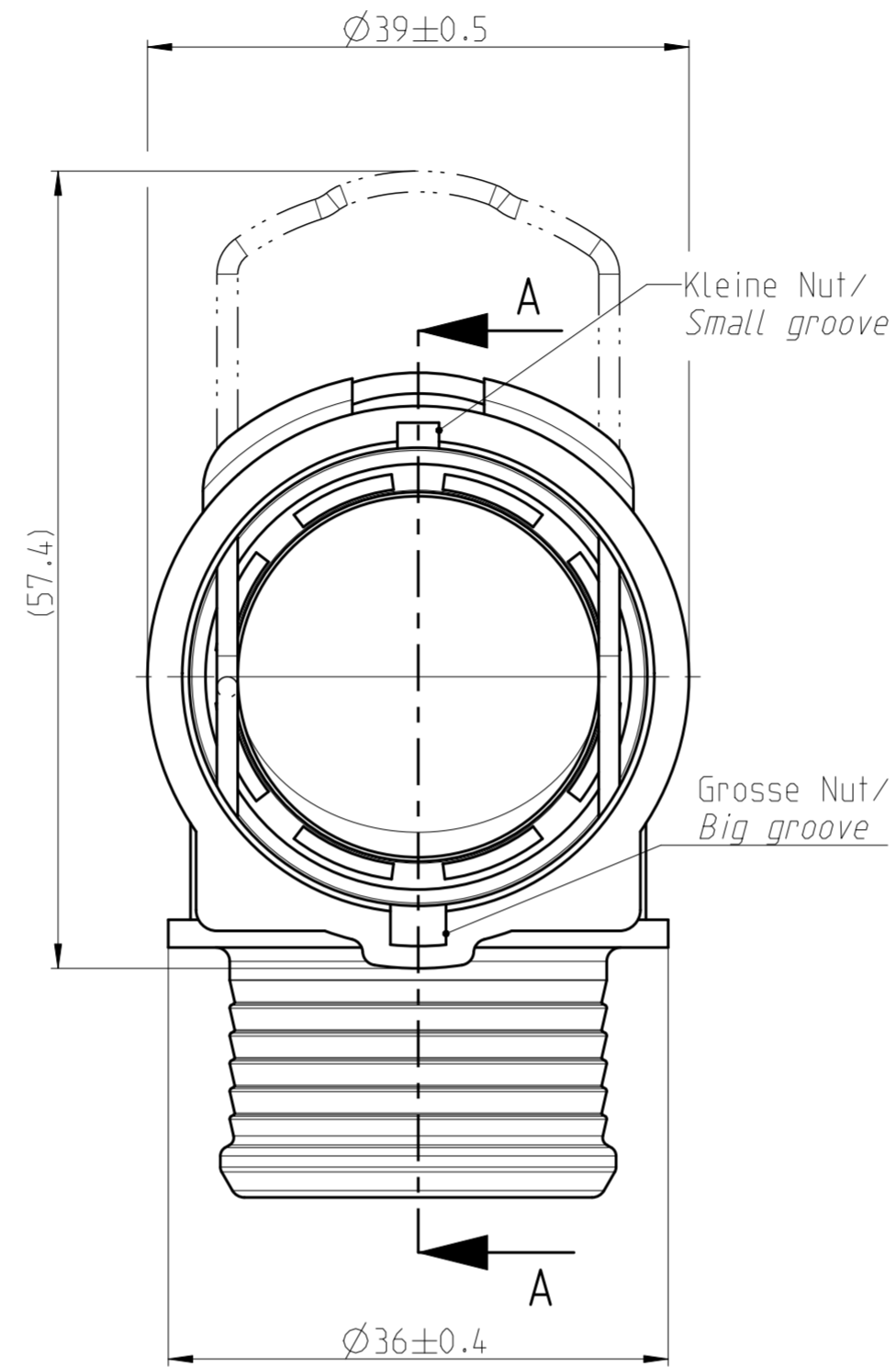
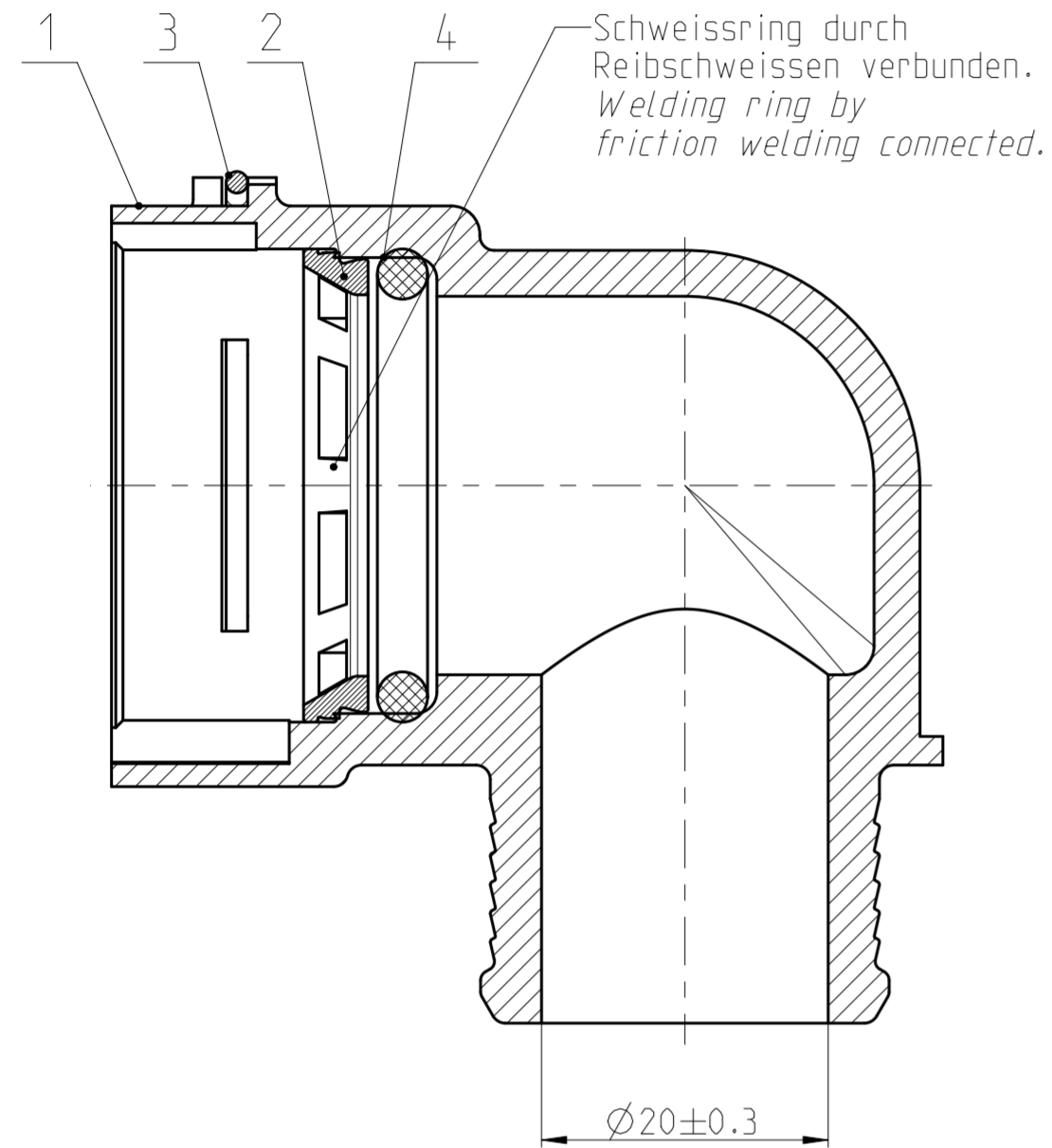


**SPECS &
INFORMATION**

QUOTATION DRAWING

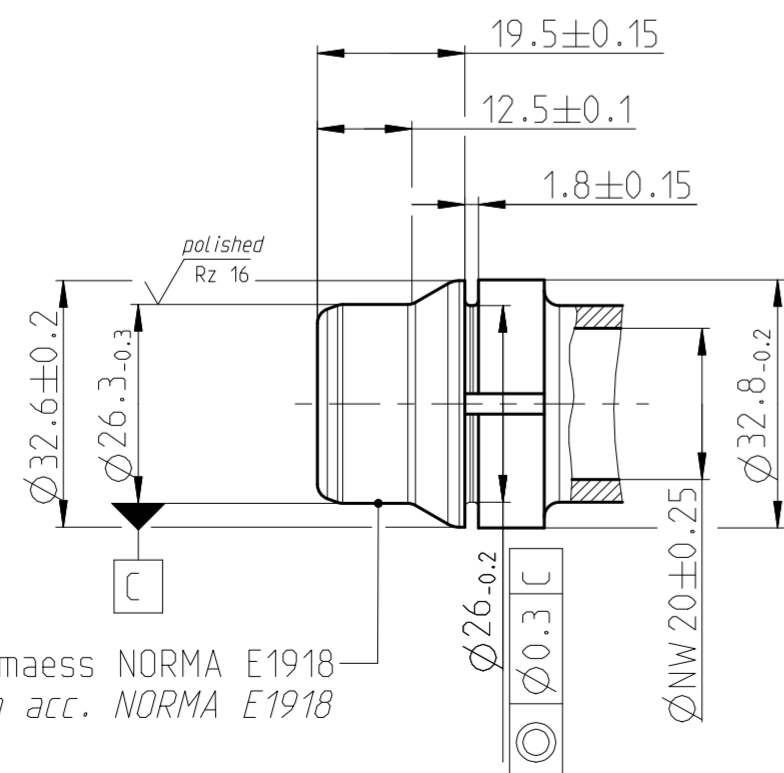
Teil-Nr ITEM-NO	Stueck QTY	Benennung PART - NAME	Werkstoff MATERIAL	Oberflaeche SURFACE
1	1	Housing NW20-90*	PA66 - GF30	black
2	1	Weld ring NW20	PA66 - GF30	black
3	1	Locking bail NW20	EN10270-3-1.4310-NS-1.5	black
4	1	O-RING 26.0 X 3.5	EPDM-60	black

SCHNITT/SECTION A-A



MASSTAB/SCALE 1:1

Ansicht Stutzen/View spigot
MASSTAB/SCALE 1:1



Nicht angegebene Masse gemäss NORMA E1918
Not specified dimension acc. NORMA E1918

GENERAL TOLERANCE:	DIN 16901-130
FORM AND POS. TOL.:	DIN ISO 2768
DEVIATION FOR ANGLE:	±2°

Performance features for NQ PS3 - VDA	
Medium	coolant water
Operation temperature	-40°C thru 135°C, short-term up to 150°C (max. 30 min. over lifetime)
Operation pressure	0 to 2 bar, partial pulsating (sinusoidal)

NORMAQUICK - ASSEMBLY MARKING	
Customer part-No.:	-
Trademark:	-
Manufacturer code:	NORMA-RSS
NORMA date code:	XX YY
Material code molding part:	->PA66-GF30<

INDEX PART	DWG	QTY	REVISION SUMMARY	CHANGE-NO	DATE	DRAWN	CHECKED
-	-	-	-	-	-	-	-
-	B	-	Drawing updated & sheet 2 removed;	-	2020-12-10	A.Tikambare	Dygon
-	A	2	1) drawing type updated; 2) view updated; 3) text added	-	2013-01-15	Chopade	Ries

1st ANGLE PROJECTION	ACCORDING TO:	PART NAME:
	SCALE: DATE: YYYY-MM-DD NAME	NORMAQUICK PS3 NW20-90°
PROJECT-NO.: 9900021163-001	DRAWN: 2000-02-18 Bauer	CUSTOMER: -
CAD-SYSTEM: Creo 3.0 M140	CHECKED: - Bahner	CUSTOMER-NO: -
(C) COPYRIGHT NORMA GROUP DIN ISO 16016		NORMA-NO.: 0702 8004 020
DRAWING-NAME.: 07028004020_Q		INDEX PART DWG TYPE FORMAT SHEET
		- B Q A2 1/1



info@iq-parts.nl
Harsweg 34A
2461 EZ Ter Aar
T +31 252 624 126
The Netherlands