

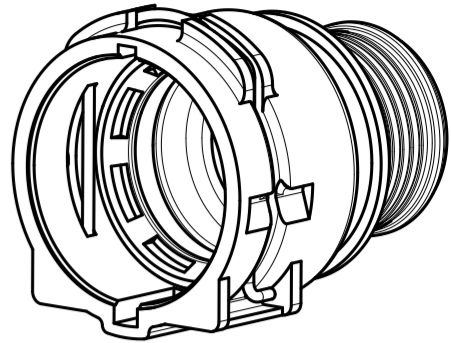
**iQ parts**  
IQ-PARTS-SHOP.COM



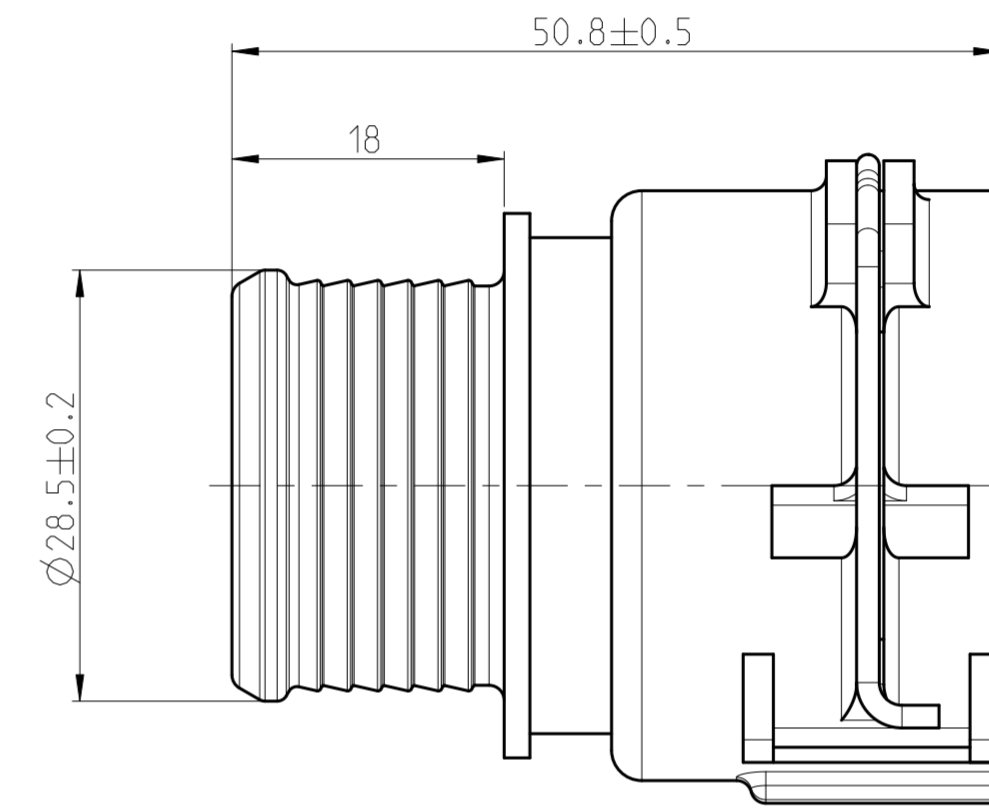
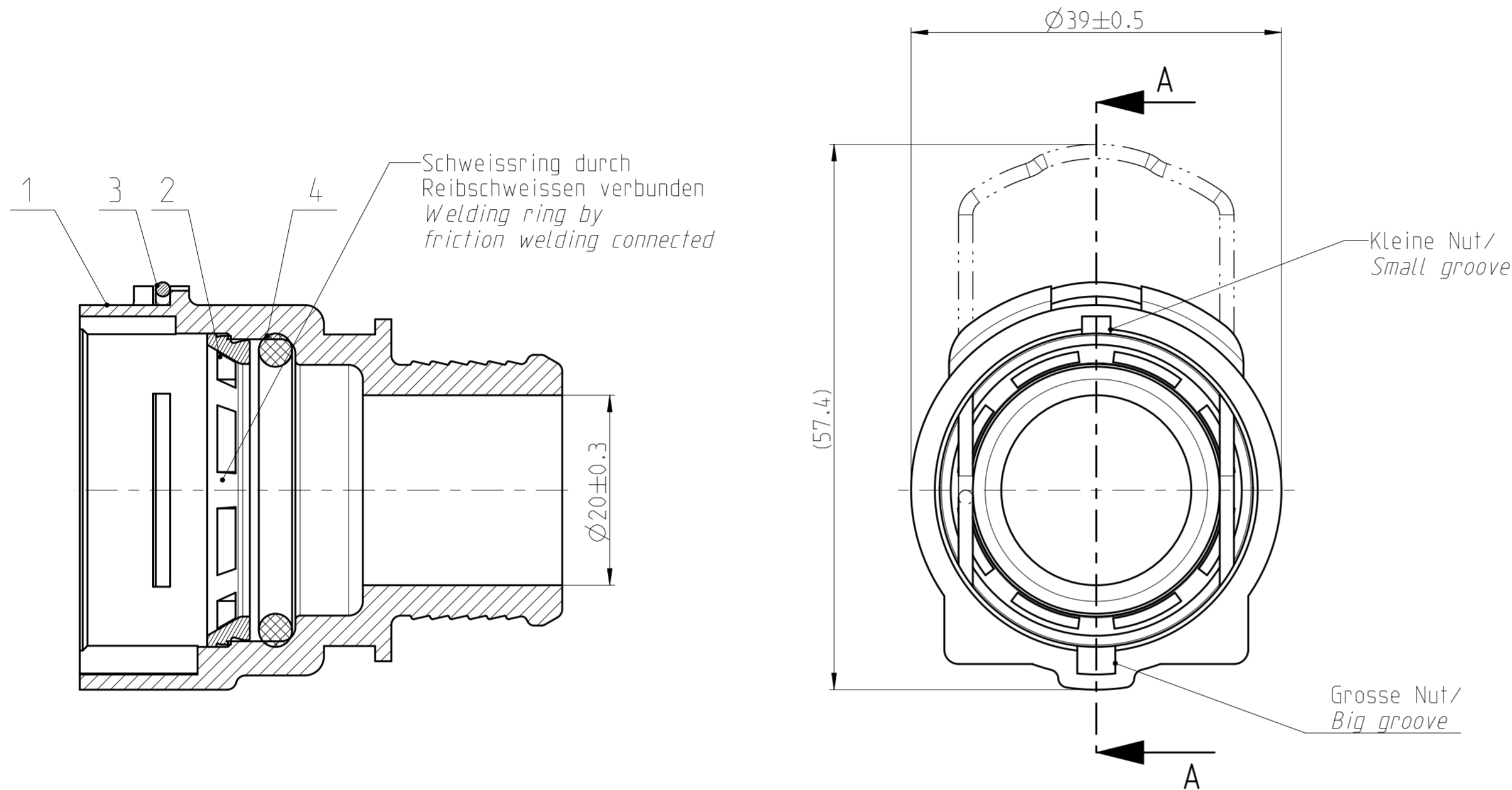
**SPECS &  
INFORMATION**

Angebotszeichnung  
QUOTATION DRAWING

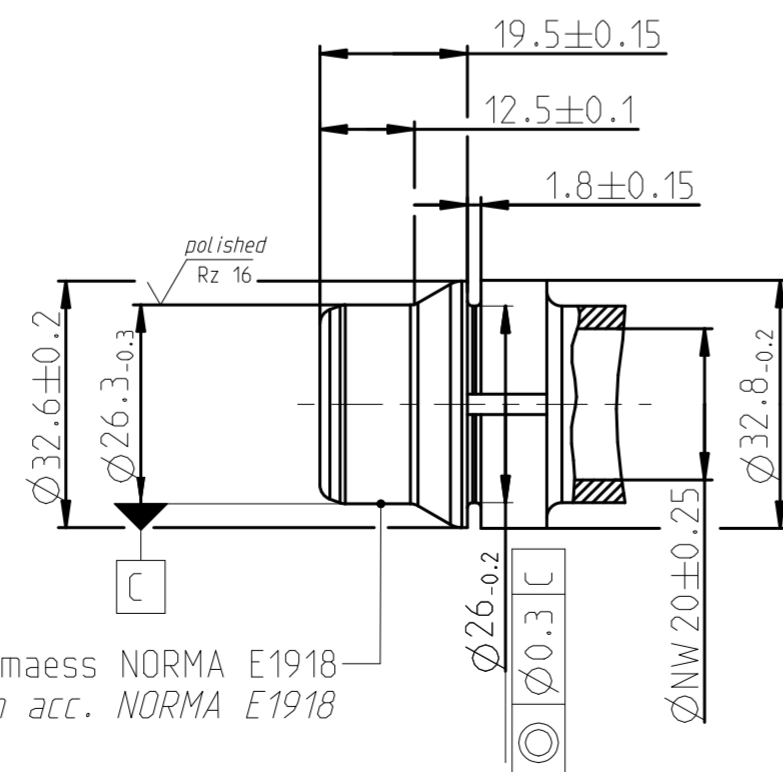
Teil-Nr. ITEM-NO.	Stueck QTY	Benennung PART - NAME	Werkstoff MATERIAL	Oberflaeche SURFACE
1	1	Housing NW 20-0°	PA66 - GF30	black
2	1	Weld ring NW20	PA66 - GF30	black
3	1	Locking bail NW20	EN10270-3-1.4310-NS-1.5	blank
4	1	O-RING 26.0 X 3.5	EPDM-60	black



MASSSTAB/SCALE 1:1



Ansicht Stutzen/View spigot  
MASSSTAB/SCALE 1:1



Nicht angegebene Masse gemäss NORMA E1918  
Not specified dimension acc. NORMA E1918

Performance features for NQ PS3 - VDA	
Medium	coolant water
Operation temperature	-40°C thru 135°C, short-term up to 150°C (max. 30 min, over lifetime)
Operation pressure	0 to 2 bar, partial pulsating (sinusoidal)

NORMAQUICK - ASSEMBLY MARKING	
Customer part-No.:	-
Trademark:	-
Manufacturer code:	NORMA-RSS
NORMA date code:	XX YY
Material code molding part:	>PA66-GF30<

-	-	-	-	-	-	-	-	-	-
-	-	-	-	-	-	-	-	-	-
-	-	-	-	-	-	-	-	-	-
-	A	2	1) drawing type updated; 2) view updated; 3) text added			-	2013-01-15	Chopade	Ries
INDEX Teil/ PART	Zeichn. DWG	Anz. QTY.	Aenderung DESCRIPTION			Aend.Nr. CHANGE-NO.	Datum DATE	Bearb. DRAWN	Gepr. CHECKED
Allgemeintoleranz: GENERAL TOLERANCE:		Form- und Lagetoleranz: FORM AND POS. TOL.:		Abmass fuer Winkel: DEVIATION FOR ANGLE:		Gewicht / WEIGHT: errechnet CALCULATED		Volumen: VOLUME:	
DIN 16901-130		DIN ISO 2768		±2°		-		- cm <sup>3</sup>	
Projektions-Methode 1 1st ANGLE PROJECTION DIN ISO 128-30		Material: see parts list			PART NAME: NORMAQUICK PS3 NW 20-0°				
NORMA-Patentnummer: PATENT NUMBER:		Oberflaeche: see parts list SURF. QUAL.:			-				
NORMA-Patentnummer: PATENT NUMBER:		Massstab: SCALE:		Datum/DATE		Name/NAME			
-		2:1		18.02.00		Bauer			
-		-		-		Bahner			
-		-		-		-			
Bandlaenge: LENGTH OF BAND:		Schutzvermerk nach ISO 16016 beachten CONSIDER AFTER PROTECTION NOTICE ISO 16016							
ZNE:		Kunde/CUSTOMER:							
-		-		-		-		-	
Ursprung/Anfrage: ENQUIRY-NO.:		9900021163-001		NORMA Germany GmbH Postfach 1149 • 63461 Maintal © COPYRIGHT BY NORMA Group		Zeichnungs-Nr./DRAWING-NO.:		INDEX PART DWG TYPE	
-		-		-		0702 8003 020		00 0A Q	
CAD-SYSTEM Pro/Engineer		DRAWING-NAME: 07028003020_Q		SUB.F.:		-		SUB.FROM: -	
-		-		-		MODEL-NAME: 07028003020		MODEL-TYP: ASSEM	



info@iq-parts.nl  
Harsweg 34A  
2461 EZ Ter Aar  
T +31 252 624 126  
The Netherlands