

iQ parts
IQ-PARTS-SHOP.COM

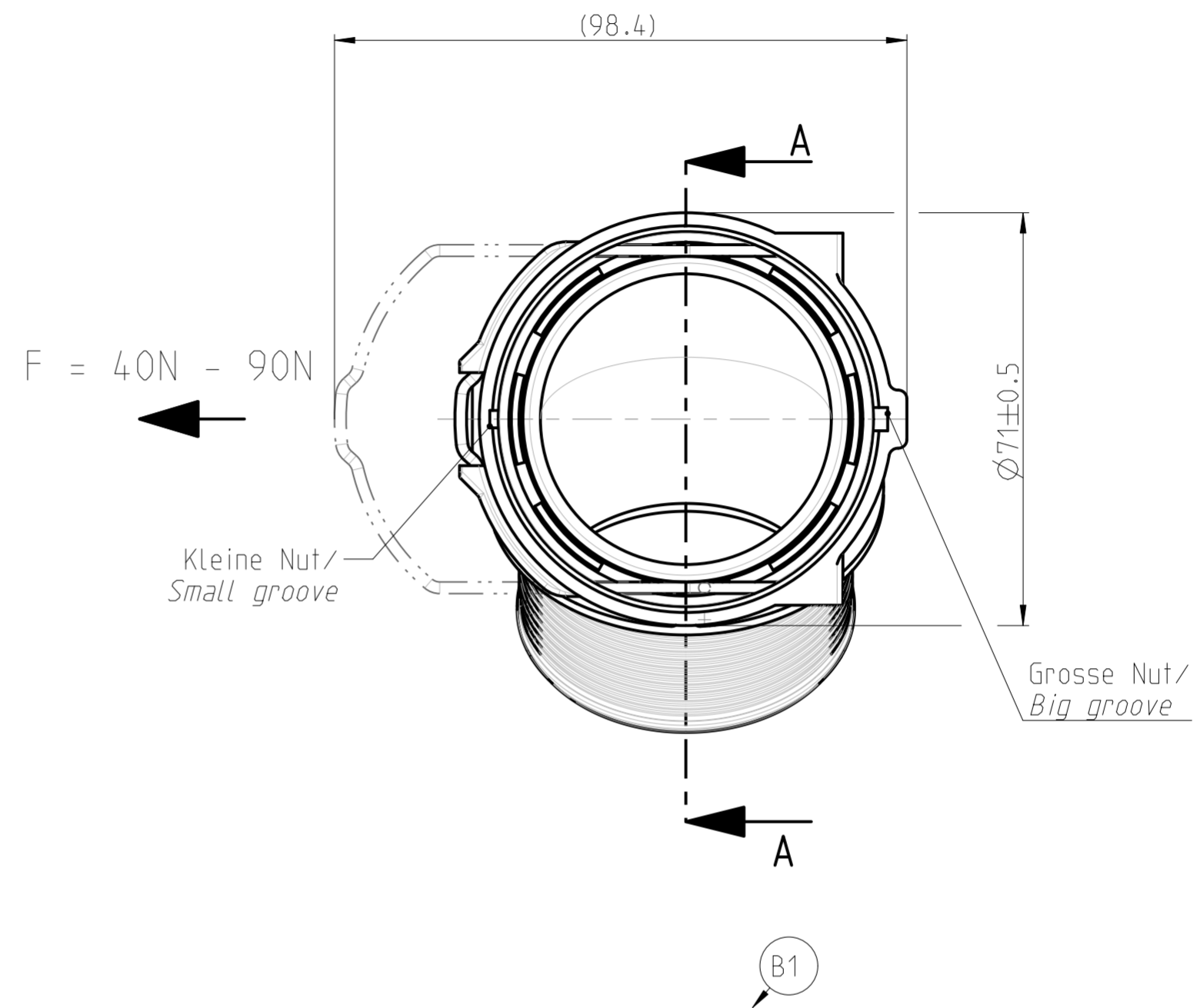
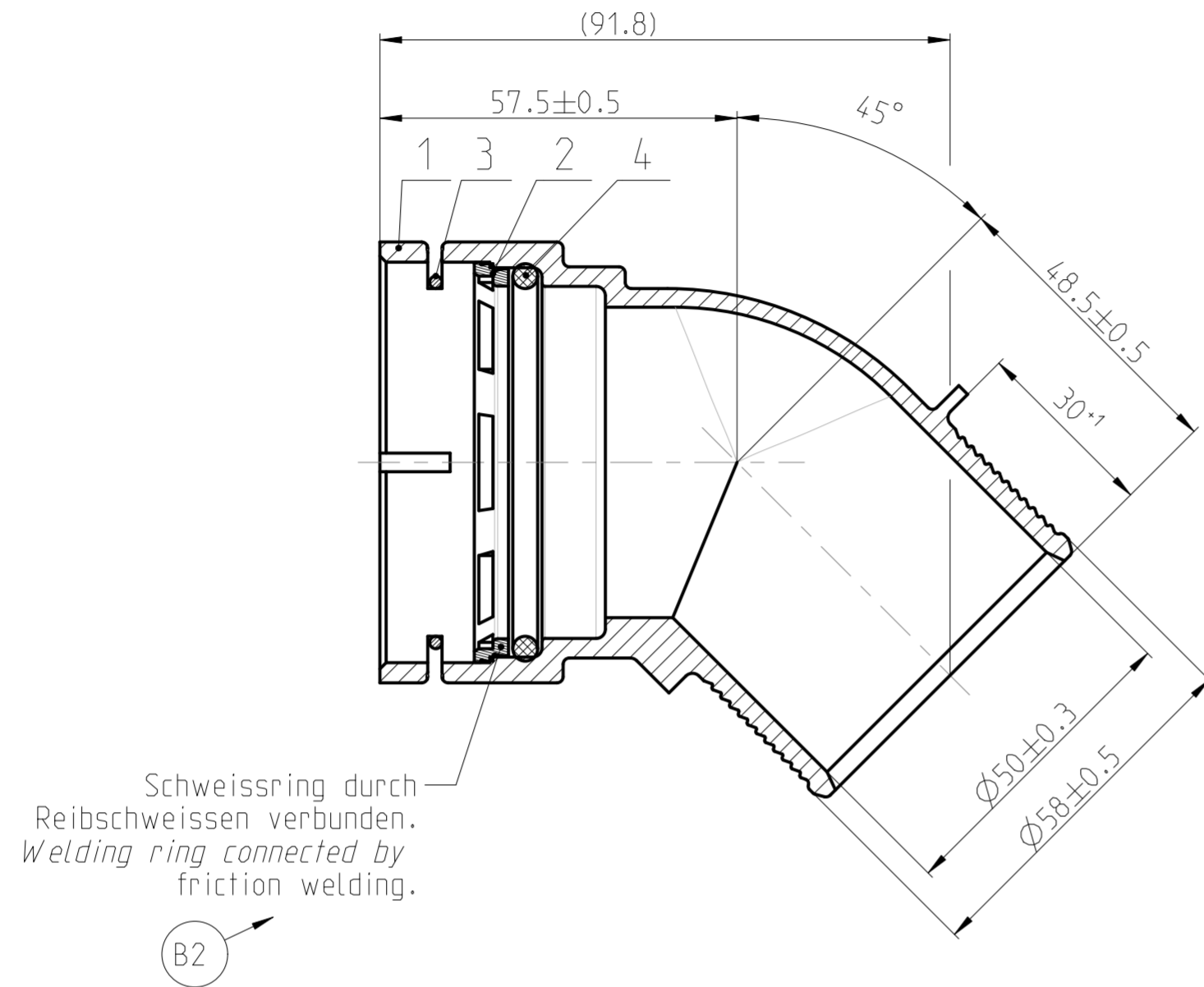


**SPECS &
INFORMATION**

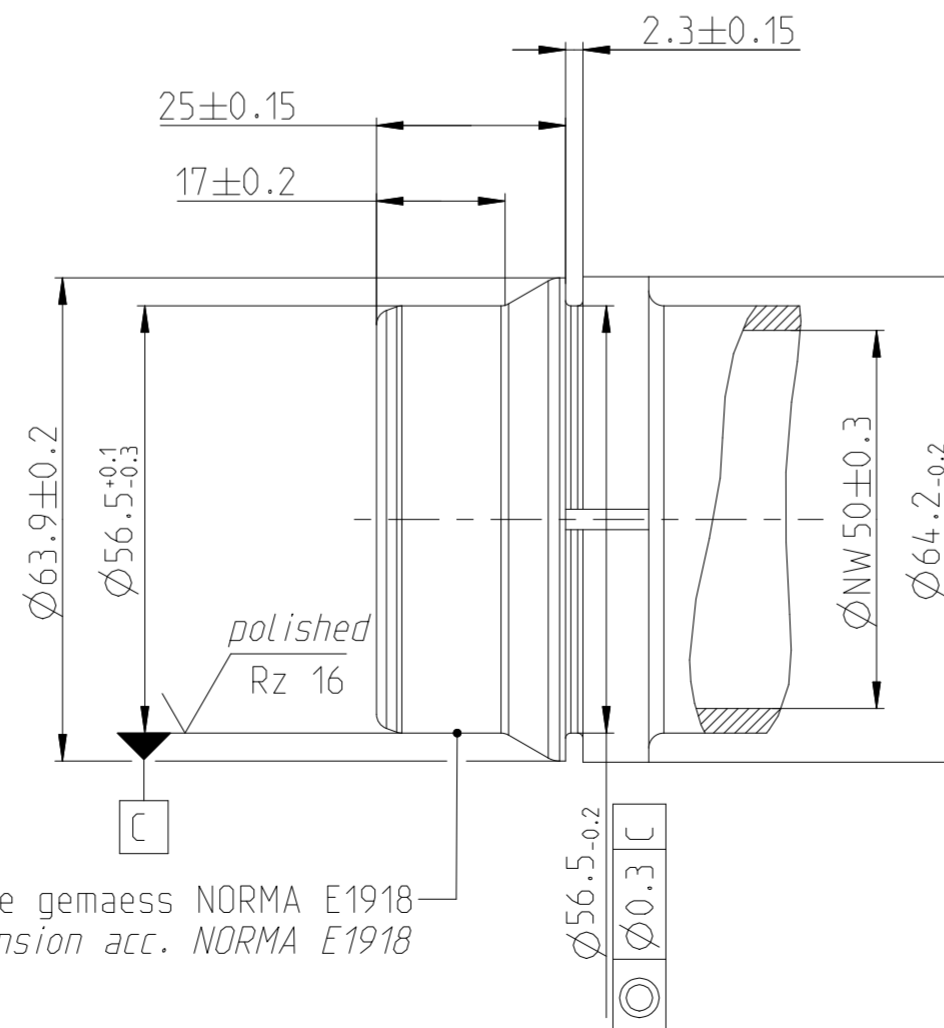
Angebotszeichnung
QUOTATION DRAWING

Teil-Nr / ITEM-NO	Stueck / QTY	Benennung / PART - NAME	Werkstoff / MATERIAL	Oberflaeche / SURFACE
1	1	Housing NW50-45	PA66-GF30	black
2	1	Weld ring NW50	PA66-GF30	black
3	1	Locking bail NW50	EN10270-3-1.4310-NS-2.0	black
4	1	O-RING 56.0 X 4.0	EPDM-60	black

SCHNITT / SECTION A-A



Ansicht Stutzen / View spigot
MASSTAB / SCALE 1:1



Nicht angegebene Masse gemäss NORMA E1918
Not specified dimension acc. NORMA E1918

NORMAQUICK - ASSEMBLY MARKING	
Customer part-No.:	-
Trademark:	-
Manufacturer code:	NORMA-RSS
NORMA date code:	XX YY
Material code molding part:	>PA66-GF30<

Performance features for NQ PS3 - VDA	
Medium	coolant water
Operation temperature	-40°C thru 135°C, short-term up to 150°C (max. 30 min. over Lifetime)
Operation pressure	0 to 2 bar, partial pulsating (sinusoidal)

INDEX	Anz.	Aenderung	Aend.Nr.	Datum	Bearb.	Gepr.
Teil	Zeichn	DESCRIPTION	CHANGE-NO.	DATE	DRAWN	CHECKED
-	-	-	-	-	-	-
B	3	Drawing separated and no change at part; 1) marking table added; 2) Note added;	600324	2014-04-04	Mandalapure	Ries
A	-	Bemassung geaendert	600324	2000-09-07	Bauer	Bahner

ALLGEMEINTOLERANZ: GENERAL TOLERANCE:	Form- und Lagetoleranz: FORM AND POS. TOL.:	Abmass fuer Winkel: DEVIATION FOR ANGLE:	Gewicht / WEIGHT: errechnet / calculated	Volumen: VOLUME:	Pruefkennzeichnung: TEST MARKING:
DIN 16901-130	DIN ISO 2768	±2°	-	- cm ³	-

Projektions-Methode 1 1st ANGLE PROJECTION DIN ISO 128-30	Material: see part list Material-No.: - Oberflaeche: see part list SURF. QUAL.:	PART NAME: NORMAQUICK PS3 NW50-45°
---	--	--

NORMA-Patentnummer: PATENT NUMBER:	Massstab: SCALE: 1:1	Datum / DATE 2000-06-06	Name / NAME Bauer	Benennung: NORMAQUICK PS3 NW50-45°
Bearb. / DRAWN 2000-06-06	Gepr. / CHECKED 2000-06-06	Norm	Bahner	

Bandlaenge: LENGTH OF BAND:	Schutzvermerk nach ISO 16016 beachten CONSIDER AFTER PROTECTION NOTICE ISO 16016	Kunde / CUSTOMER:	DIN A 2	SHEET: SHEETS 1 1
--------------------------------	--	-------------------	------------	------------------------

ZNE:	Ursprung/Anfrage: ENQUIRY-No.:	NORMA Germany GmbH Postfach 1149 • 63461 Maintal © COPYRIGHT BY NORMA Group	Zeichnungs-Nr. / DRAWING-NO.:	INDEX PART DWG TYPE
	9990007715		0702 8002 050	00 0B Q



info@iq-parts.nl
Harsweg 34A
2461 EZ Ter Aar
T +31 252 624 126
The Netherlands