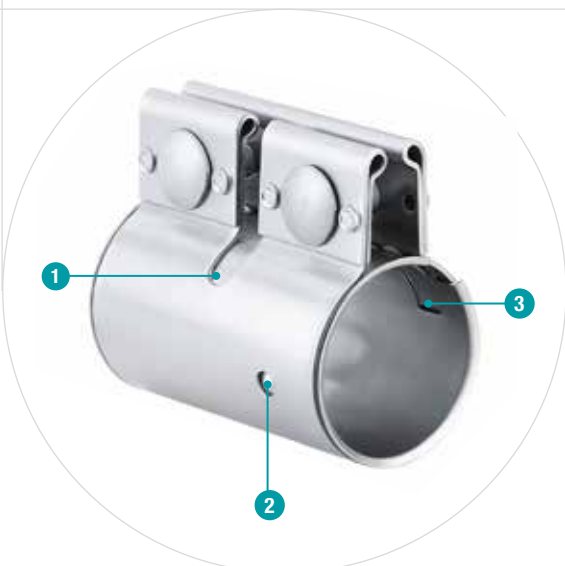


iQ parts
IQ-PARTS-SHOP.COM



**SPECS &
INFORMATION**



- 1 "U" slot to accommodate diameter differences
- 2 Dimple on the inner sleeve to engage with the outer band
- 3 Patented gasket



Joining exhaust system components

The NORMACONNECT® Euro Coupler is an effective way to join exhaust system components without the need for pipe flares/slip joints or slotting. This clamp offers superior clamp load capability and a serviceable joint. Allows for quick assembly and service of exhaust pipes. It provides significant resistance to longitudinal and rotational movement of pipes.

Advantages at a glance

- No need for pipe sizing or slotting
- Patented gasket with proven sealing ability to reduce leak rates
- Preamsembled unit – easy, reliable installation
- Superior clamp load capability

Applications

Effective way to join pipe to pipe connections of same diameter in an exhaust system.

Materials

W1	W2	W3	W4	W5
		x		

Technical data & Ordering information

NORMACONNECT® EUROCOUPLER			
Width	Description	Nominal diameter	W3 Product No.
		in mm	
88,7	EURO COUPLER 40-441/88	40	0367 6005 040
	EURO COUPLER 45-441/88	45	0367 6009 045
	EURO COUPLER 50-441/88	50	0367 6010 050
	EURO COUPLER 55-441/88	55	0367 6008 055
	EURO COUPLER 60-441/88	60	0367 6011 060
	EURO COUPLER 65-441/88	65	0367 6022 065
	EURO COUPLER 70-441/88	70	0367 6033 070

NORMACONNECT® EuroCoupler



Pipe to pipe connection of an exhaust system without the need for sizing or slotting

- ✓ Used as original equipment in vehicles of major manufacturers such as VW, Audi, Jaguar, Opel etc.
- ✓ Patented gasket with proven sealing ability reduces leak rates
- ✓ Inner sleeve orientation is locked by an engagement feature, improving sealing effect
- ✓ A "U" slot helps EuroCoupler accommodate diameter differences between mating pipes for improved joint strength



Air Intake & Induction



Exhaust Systems



Cooling Systems



Fuel & Oil Systems



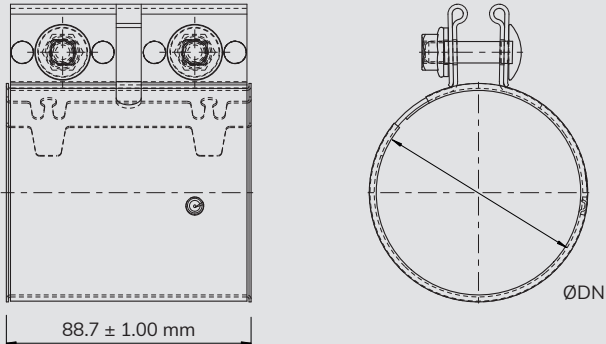
Turbocharger Installations



Fixing & Retaining

EXHAUST CLAMPS & COUPLINGS

NORMACONNECT® EuroCoupler



Applications

The EuroCoupler is a lightweight connector for rear and centre section of car and truck exhaust systems.

Material

Group	W3
Band	1.4509 / 441SS
Sleeve	1.4509 / 441SS
Bolt	Carbon Steel
Washer	Carbon Steel
Nut	Carbon Steel

Part number	Description	ØDN (mm)	Packaging quantity (pcs)
0367 6005 040	EUROCOUPLER 40-441/88	40	25
0367 6009 045	EUROCOUPLER 45-441/88	45	25
0367 6010 050	EUROCOUPLER 50-441/88	50	25
0367 6008 055	EUROCOUPLER 55-441/88	55	25
0367 6011 060	EUROCOUPLER 60-441/88	60	25
0367 6022 065	EUROCOUPLER 65-441/88	65	25
0367 6033 070	EUROCOUPLER 70-441/88	70	25

Technical benefits

- ✓ Provides a serviceable joint – no permanent distortion of exhaust members
- ✓ Preassembled unit – easy, reliable installation
- ✓ Superior clamp load capability

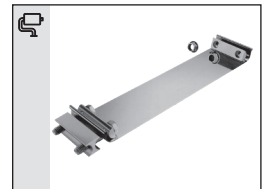
NORMACONNECT® EuroCoupler is part of a broad portfolio. Discover more!



SEC



ACCUSEAL



EASYSEAL