

**iQ parts**  
IQ-PARTS-SHOP.COM



**SPECS &  
INFORMATION**

## ASFA High-Torque (16 mm) Hose Clamp AISI 304 Stainless Steel - W4



W4

Mikalor High-Torque Clamps were designed to guarantee maximum performance in the most demanding applications. Thanks to the use of an M8 screw and the choice of 16mm bandwidth, torque values can be applied which are far higher than those used with the standard ASFA range, thereby ensuring perfect performance in high-pressure applications.

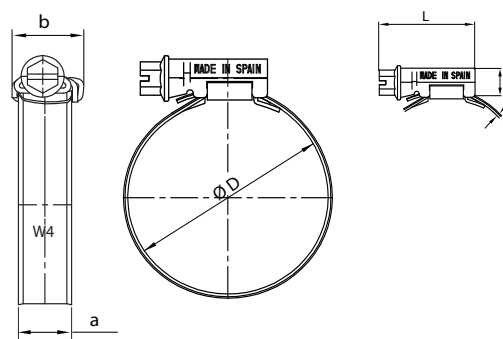
The High-Torque clamp is particularly popular in industrial and automotive applications due to its outstanding performance. This clamp is manufactured entirely from AISI 304 Stainless Steel and is especially indicated for use in corrosive environments and in the foodstuffs industry.

*\* The maximum application pressure can vary depending on the type of hose used and the geometry of the coupling.*

Application Ø										
mm	a	Part nº W4	L max.	S +0,10	h max.	a +0,2	b max.	Maximum values		Box Quantity (MOQ)
								Torque (Nm)	Pressure (Bars)	
25-45	HT (16mm)	0306700-1	39,5	0,95	13	16,0	21,0	12	55	50
32-54	HT (16mm)	0306700-2	39,5	0,95	13	16,0	21,0	12	50	50
45-67	HT (16mm)	0306700-3	39,5	0,95	13	16,0	21,0	12	45	50
57-79	HT (16mm)	0306700-4	39,5	0,95	13	16,0	21,0	12	40	50
70-92	HT (16mm)	0306700-5	39,5	0,95	13	16,0	21,0	12	30	50
83-105	HT (16mm)	0306700-6	39,5	0,95	13	16,0	21,0	12	20	25
95-118	HT (16mm)	0306700-7	39,5	0,95	13	16,0	21,0	12	17	25
108-130	HT (16mm)	0306700-8	39,5	0,95	13	16,0	21,0	12	14	25
121-143	HT (16mm)	0306700-9	39,5	0,95	13	16,0	21,0	12	11	25
133-156	HT (16mm)	0306701-0	39,5	0,95	13	16,0	21,0	12	8	25
146-168	HT (16mm)	0306701-1	39,5	0,95	13	16,0	21,0	12	6	25
159-181	HT (16mm)	0306701-2	39,5	0,95	13	16,0	21,0	12	5	25
172-194	HT (16mm)	0306701-3	39,5	0,95	13	16,0	21,0	12	4	25
184-206	HT (16mm)	0306701-4	39,5	0,95	13	16,0	21,0	12	3	25

*\* It is recommended to apply 75% of the maximum values contained in the table.*

*\* Product available from September 2020.*





info@iq-parts.nl  
Harsweg 34A  
2461 EZ Ter Aar  
T +31 252 624 126  
The Netherlands