

iQ parts
IQ-PARTS-SHOP.COM



**SPECS &
INFORMATION**

ASFA High Torque Constant Tension Hose Clamp W4 Stainless Steel



The MIKALOR High Torque Constant Tension clamp has been designed to guarantee constant performance and torque values.

The screw is fitted with special conical washers, which adapt their behaviour according to the vibrations and temperature changes occurring in the application. Thanks to the 8 mm hexagonal screw and a bandwidth of 16 mm, we can increase the tightening torque by more than 118 % compared to the range with a bandwidth of 12 mm, while at the same time increasing the performance by 48 %.

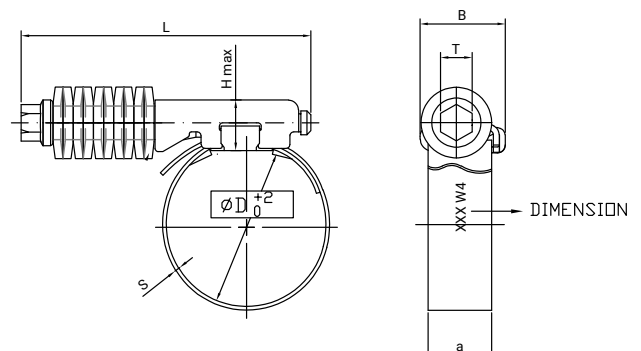
Designed and manufactured with perfectly rounded band edges and a housing with a double fastening reinforcement.

Due to its high performance, it is especially used in industrial applications and in the agricultural machinery, naval and industrial vehicle sectors.

ØD Application +2	Part Number	L Max.	S +0.1	H Max.	a ±0.2	B Max.	T	Max. Pressure (BAR)	Max. Torque (Nm)	Box Qty.	Outer Box Qty.
25-45	03069001	73	0,85	14	16	22	8	55	14	50	50
32-54	03069002	73	0,85	14	16	22	8	50	14	50	50
45-67	03069003	73	0,85	14	16	22	8	45	14	50	50
57-79	03069004	73	0,85	14	16	22	8	40	14	50	50
70-92	03069005	73	0,85	14	16	22	8	30	14	50	50
83-105	03069006	73	0,85	14	16	22	8	20	14	25	25
95-118	03069007	73	0,85	14	16	22	8	17	14	25	25
108-130	03069008	73	0,85	14	16	22	8	14	14	25	25
121-143	03069009	73	0,85	14	16	22	8	11	14	25	25
133-156	03069010	73	0,85	14	16	22	8	8	14	25	25
146-168	03069011	73	0,85	14	16	22	8	6	14	25	25
159-181	03069012	73	0,85	14	16	22	8	5	14	25	25
172-194	03069013	73	0,85	14	16	22	8	4	14	25	25
184-206	03069014	73	0,85	14	16	22	8	3	14	25	25
197-219	03069015	73	0,85	14	16	22	8	2	14	25	25
210-232	03069016	73	0,85	14	16	22	8	2	14	25	25

* It is recommended to apply 75% of the maximum values contained in the table.

TECHNICAL INFORMATION	
MATERIAL	BAND AND HEAD: STAINLESS STEEL X5 CR NI 18/10 (DIN 1.4301) AISI-304 SCREW: STAINLESS STEEL AISI-304 CU WASHERS: STAINLESS STEEL AISI-304
FINISH	STAINLESS STEEL
CORROSION RESISTANCE	400 HOURS SALT SPRAY (ASTMB-117)
MAXIMUM TIGHTENING SPEED (RPM)	540 ±5





info@iq-parts.nl
Harsweg 34A
2461 EZ Ter Aar
T +31 252 624 126
The Netherlands