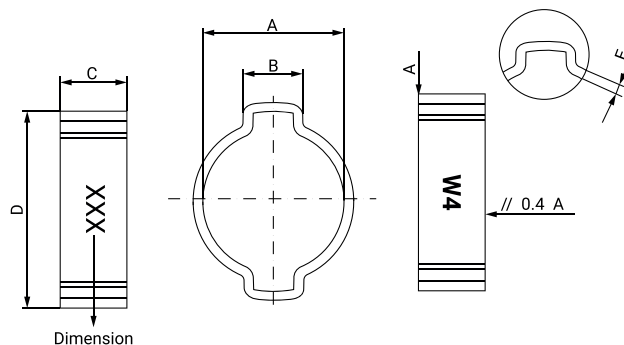


iQ parts
IQ-PARTS-SHOP.COM



**SPECS &
INFORMATION**



The use of two ear clips is an economical solution for leak-tightsimple hose assemblies on hoses transporting air, gas or other fluids.

The two ears give the clip extra grip and help to maintain constant pressure around the hose. The edges are rounded to avoid damage to the hose and the assembly of this clamp is fast, safe and easy. The clamping range is greater than the one ear clip, meaning that the two-ear clip can be used on larger bore hoses. The practical design of two ear clips means that they clamp firmly onto the assembly and are tamper proof once mounted.

MATERIAL: Stainless Steel W4
AISI 304 1.4301
(EN 10088-2:2005)

CORROSION RESISTANCE: 400 hours Salt Spray (ASTM B-117)

Ø Application	Part Number	A ±0.2	B ±0.2	C ±0.2	D +0.5-0.2	E +0.1-0.02	Max. Pressure (Bar)	Box Quantity	Outer Box Quantity
5-7	23012108	7,3	4,3	6,0	11,0	0,6	30	2.000	16.000
7-9	23012116	9,3	4,8	6,0	13,5	0,8	30	1.000	16.000
9-11	23012124	11,3	5,3	6,5	17,0	0,8	30	1.000	8.000
10-12	23012298	12,3	5,5	6,5	17,5	0,8	30	500	8.000
11-13	23012132	13,3	5,8	6,5	18,8	0,8	25	500	8.000
13-15	23012140	15,3	6,3	7,0	21,3	1,0	25	500	4.000
14-17	23012159	17,5	6,6	7,0	23,8	1,0	20	500	4.000
15-18	23012167	18,5	7,0	7,5	24,8	1,0	20	500	4.000
17-20	23012175	20,5	7,6	7,5	26,8	1,0	20	250	2.000
18-21	23012183	21,5	7,9	8,0	27,8	1,0	15	250	2.000
20-23	23012191	23,5	8,5	8,0	30,3	1,0	15	250	2.000
22-25	23012204	25,5	9,1	8,5	32,8	1,2	15	200	1.600



info@iq-parts.nl
Harsweg 34A
2461 EZ Ter Aar
T +31 252 624 126
The Netherlands