

iQ parts
IQ-PARTS-SHOP.COM

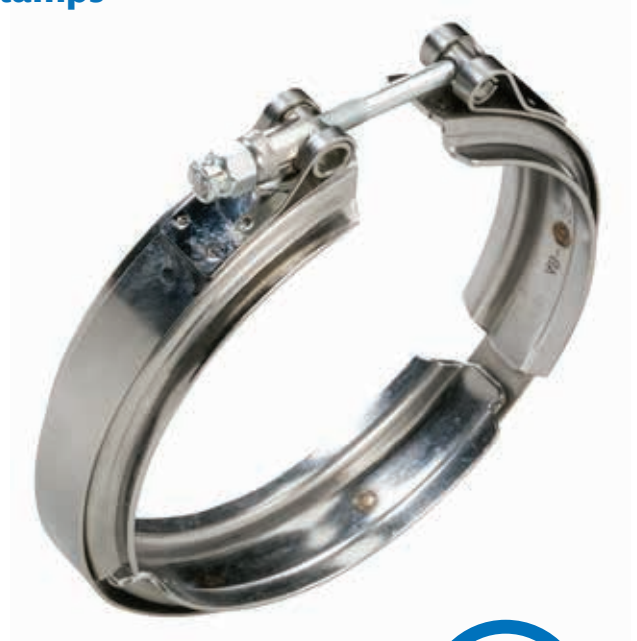


**SPECS &
INFORMATION**

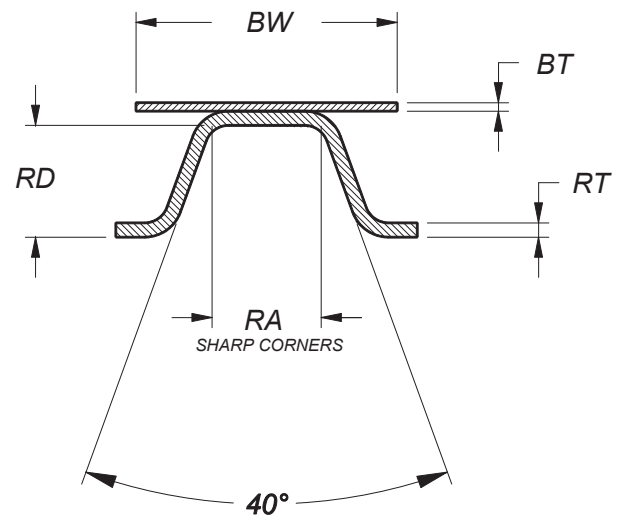
V-Band Clamps / V Band Couplings / V Profile Clamps

Murray Corporation offers a premium V-Band Clamp for flanged connections, made with a variety of high quality material grade components. Our clamps go through extensive testing and our comprehensive process control insures you consistently receive the highest quality parts.

- **Markets:** Heavy Duty Truck, Automotive, High Performance and Racing, and Marine
- **Applications:** turbocharger systems, exhaust, emissions, diesel particulate filters, pumps, food and chemical processing equipment, muffler assemblies, and industrial applications where a flanged connection is required.
- **Features:** High Strength, Reliability, and Corrosion Resistance
- Custom solutions are available in various material types, thicknesses and widths, and various nut and bolt combinations. Higher performance materials are available.



V Band - Dim. in inches							
P/N	Nominal Dia.	Flange Dia.	Retainer			Band	
			RA	RT	RD	BW	BT
TBV-M020-0321	3.210	3.106	0.262	0.050	0.141	0.750	0.031
TBV-M040-0382	3.820	3.695	0.207	0.080	0.281	0.875	0.050
TBV-M050-0388	3.880	3.755	0.400	0.050	0.281	0.875	0.031
TBV-M090-0425	4.250	4.125	0.400	0.050	0.281	0.875	0.031
TBV-M100-0450A	4.500	4.375	0.207	0.080	0.281	0.875	0.050
TBV-M150-0475	4.750	4.625	0.400	0.050	0.281	0.875	0.031
TBV-M160-0481	4.810	4.685	0.207	0.080	0.281	0.875	0.050
TBV-M200-0525	5.250	5.156	0.262	0.050	0.141	0.750	0.031
TBV-M240-0588	5.880	5.755	0.400	0.050	0.281	0.875	0.031
TBV-M260-0592	5.920	5.795	0.293	0.090	0.296	0.875	0.062





info@iq-parts.nl
Harsweg 34A
2461 EZ Ter Aar
T +31 252 624 126
The Netherlands