

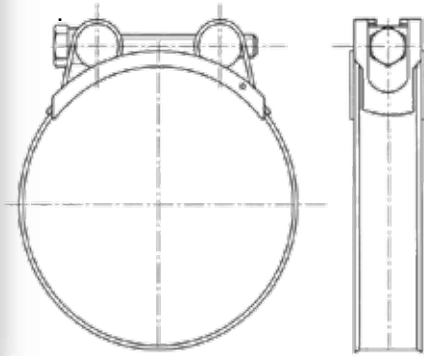
iQ parts
IQ-PARTS-SHOP.COM



**SPECS &
INFORMATION**

Superclamps

Mild Steel Zinc Plated:



Part No.	Adjustment mm	Band Width mm	Band Thickness mm	Recommended Torque Nm	Maximum Torque Nm	Screw Head mm	Part No.
JSC19	17-19	18.0	0.6	4.5	6.0	8	JSC19
JSC22	20-22	18.0	0.6	4.5	6.0	8	JSC22
JSC25	23-25	18.0	0.6	4.5	6.0	8	JSC25
JSC28	26-28	18.0	0.6	4.5	6.0	8	JSC28
JSC31	29-31	18.0	0.6	4.5	6.0	8	JSC31
JSC35	32-35	20.0	1.0	6	8.0	10	JSC35
JSC39	36-39	20.0	1.0	6	8.0	10	JSC39
JSC43	40-43	20.0	1.0	6	8.0	10	JSC43
JSC47	44-47	20.0	1.0	6	8.0	10	JSC47
JSC51	48-51	20.0	1.0	6	8.0	10	JSC51
JSC55	52-55	20.0	1.0	6	8.0	10	JSC55
JSC59	56-59	20.0	1.0	6	8.0	10	JSC59
JSC63	60-63	20.0	1.0	6	8.0	10	JSC63
JSC67	64-67	25.0	1.5	18.5	25.0	13	JSC67
JSC73	68-73	25.0	1.5	18.5	25.0	13	JSC73
JSC79	74-79	25.0	1.5	18.5	25.0	13	JSC79
JSC85	80-85	25.0	1.5	18.5	25.0	13	JSC85
JSC91	86-91	25.0	1.5	18.5	25.0	13	JSC91
JSC97	92-97	25.0	1.5	18.5	25.0	13	JSC97
JSC103	98-103	25.0	1.5	18.5	25.0	13	JSC103
JSC112	104-112	25.0	1.5	18.5	25.0	13	JSC112
JSC121	113-121	25.0	1.5	18.5	25.0	13	JSC121
JSC130	122-130	25.0	1.5	18.5	25.0	13	JSC130
JSC139	131-139	25.0	1.5	18.5	25.0	13	JSC139
JSC148	140-148	25.0	1.8	18.5	25.0	13	JSC148
JSC161	149-161	25.0	1.8	18.5	25.0	13	JSC161
JSC174	162-174	25.0	1.8	18.5	25.0	13	JSC174
JSC187	175-187	25.0	1.8	18.5	25.0	13	JSC187
JSC200	188-200	25.0	1.8	18.5	25.0	13	JSC200
JSC213	201-213	25.0	1.8	18.5	25.0	13	JSC213
JSC226	214-226	25.0	1.8	18.5	25.0	13	JSC226
JSC239	227-239	25.0	1.8	18.5	25.0	13	JSC239

Corrosion Resistance: 168 hours NSS Test

Fastening: A/F screw – see table

Industry Recommendations:-



Quality Assurance:-



Mild Steel Zinc Plated



info@iq-parts.nl
Harsweg 34A
2461 EZ Ter Aar
T +31 252 624 126
The Netherlands