

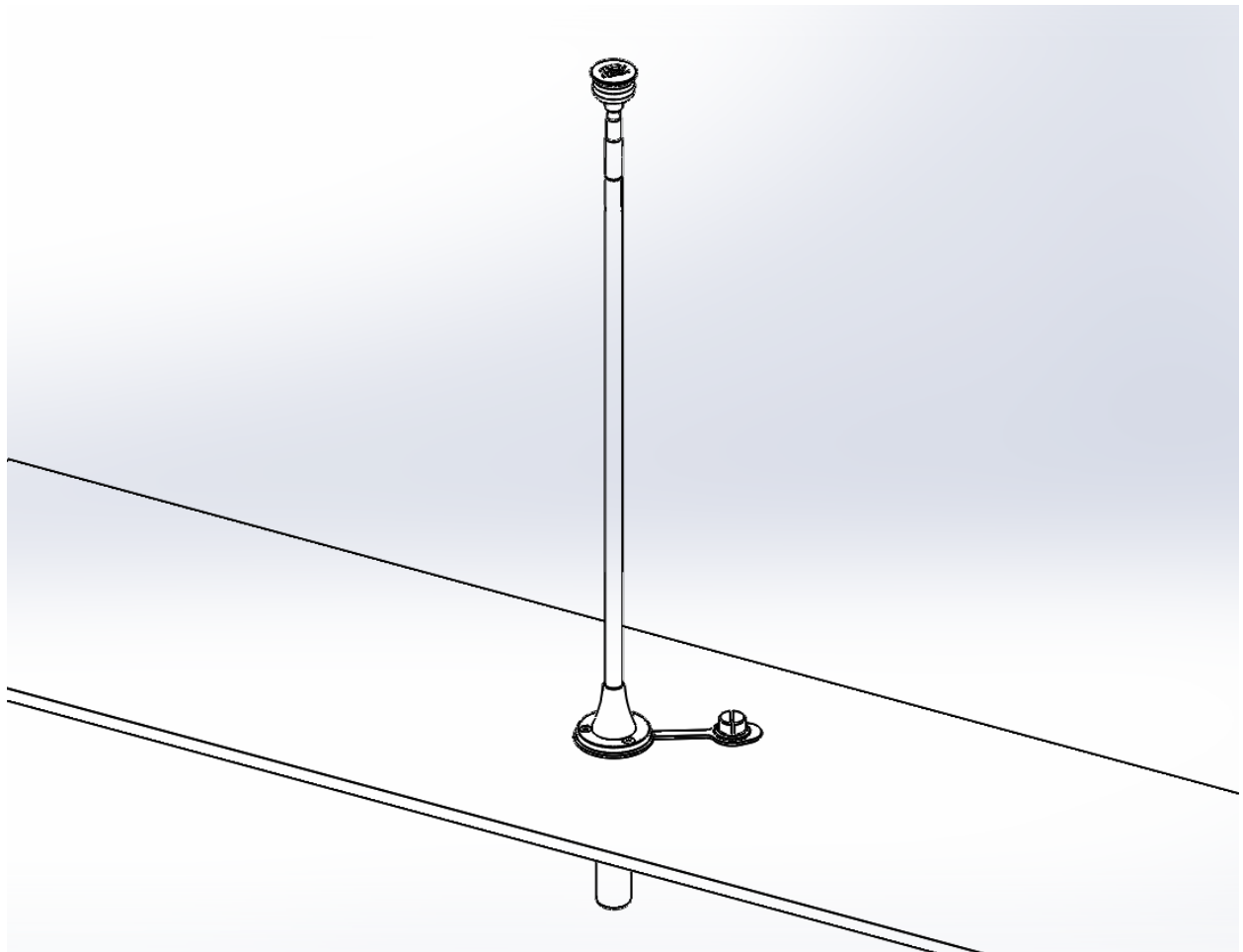
iQparts
IQ-PARTS-SHOP.COM



**SPECS &
INFORMATION**

512-9911-1 Adapter Ring

Installation Instructions



Bill of Materials:

- 1 - 512-9911-1 Adapter Ring
- 3 - #6 x 1.5" screws (not included)
- 1 - 512-1220 LED Stern Light

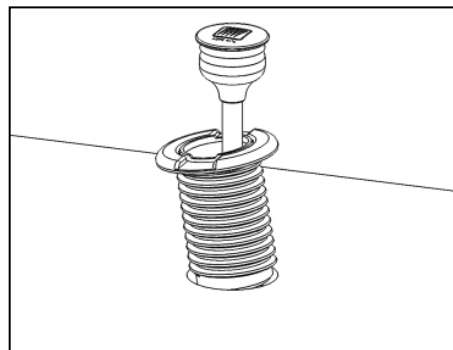
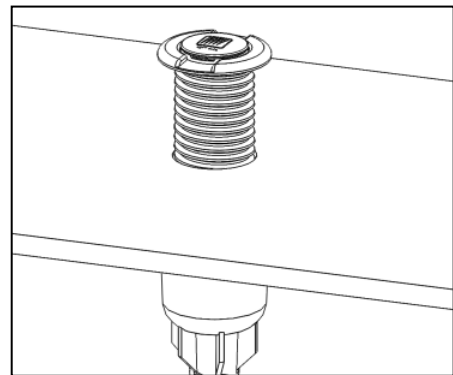
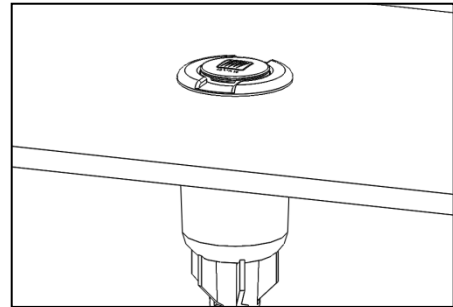
Recommended Tools:

- Drill
- 11/64 (0.172") Drill bit
- Screwdriver or Bit

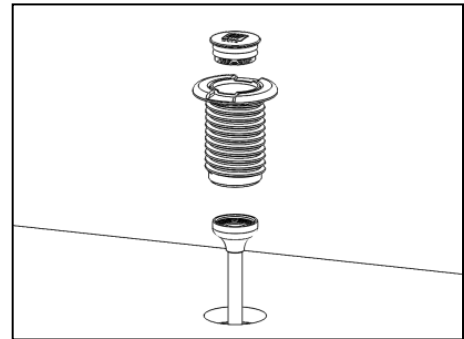
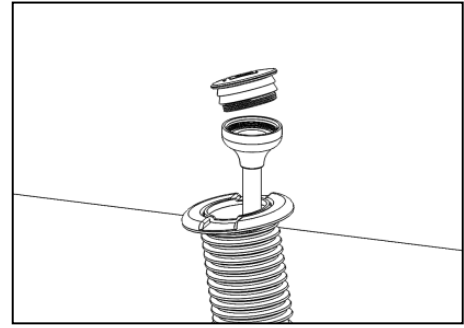
Remove The Installed Light

1. Disconnect all wires from the installed light, and remove any mounting hardware.

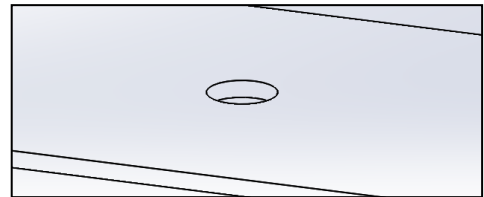
2. Unscrew the chrome ring located at the top of the assembly. A hammer and punch may be necessary for loosening this part



3. Unscrew the LED lens at the top of the light. The lens and the chrome ring can now be removed from the assembly.

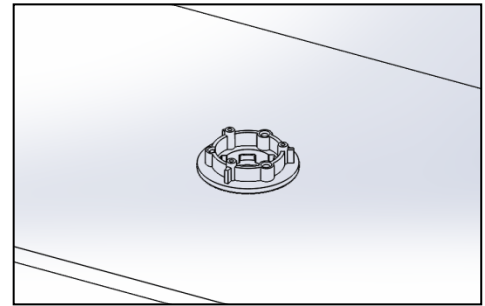


4. Remove the remaining installed light assembly from the underside of the hole.

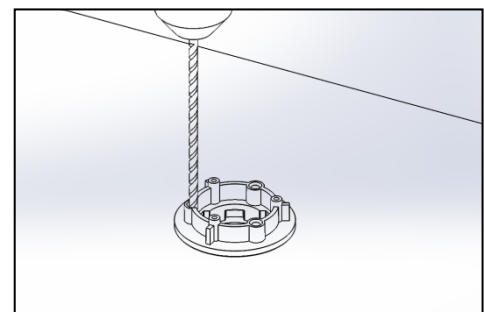
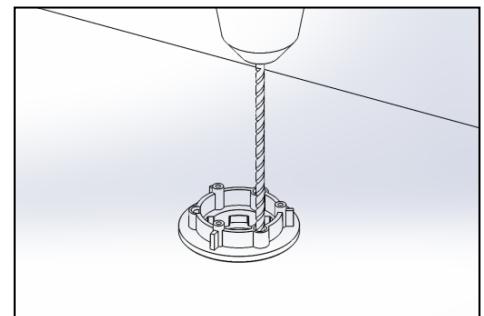
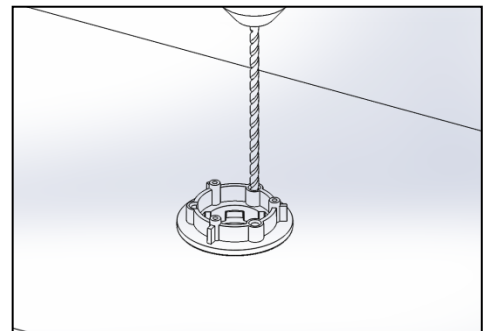


Install The Adapter Ring

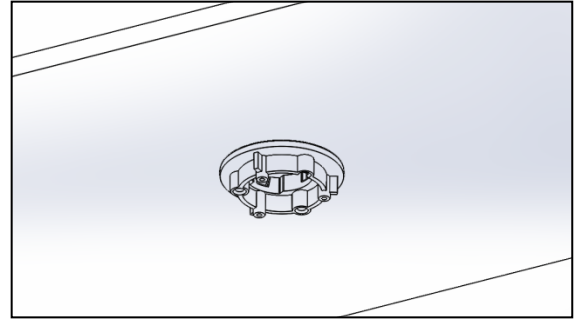
5. Place the Adapter Ring on the top side of the hole with the screw bosses facing up as shown on the right.



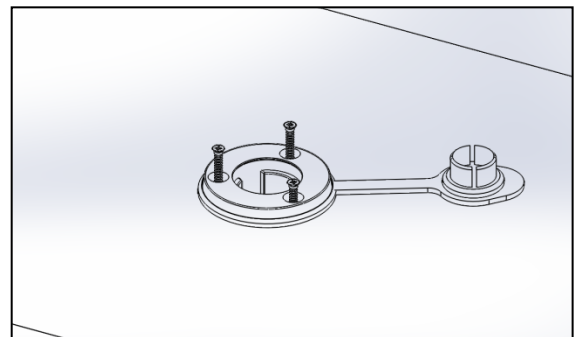
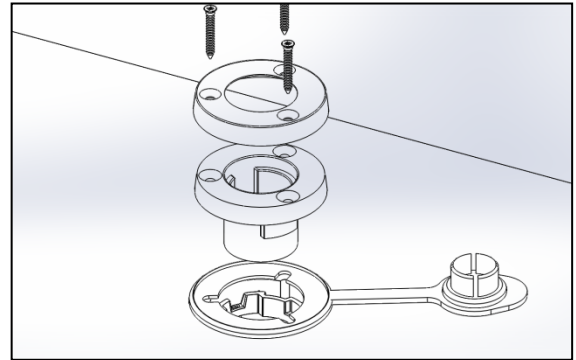
6. With a powered drill and an 11/64" inch drill bit, use the Adapter Ring as a template to drill the three required pilot holes. If needed, place a screw in each hole after it is drilled to keep the template aligned.



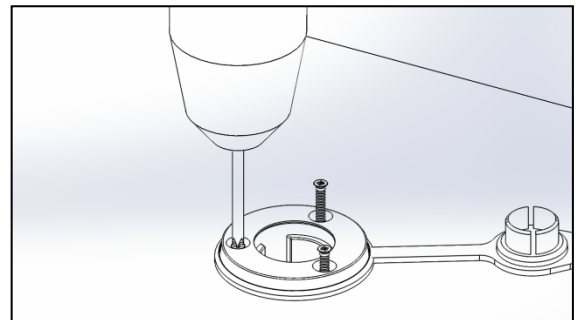
7. With the holes now drilled, place the Adapter Ring on the bottom side of the hole, again with the screw bosses facing outwards. Be sure to align the drilled holes with the smaller holes in the Adapter Ring.

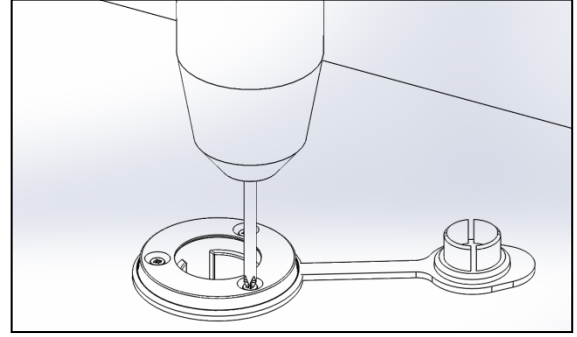


8. On the top side, place the gasket, the round plate, and the chrome trim ring of the replacement light, keeping the holes aligned through all parts, including the Adapter Ring, and then insert the three #6 x 1.5" screws into the holes.



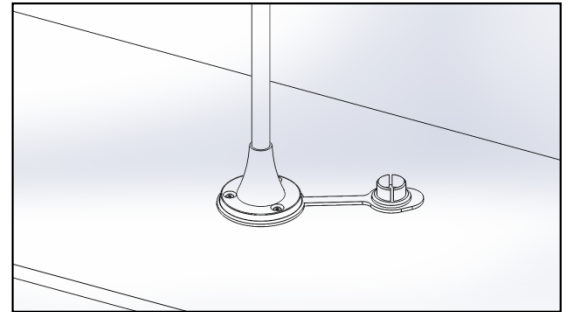
9. Use a screwdriver or drill to drive the three screws into the adapter ring from the top side.





Install The Replacement Light

10. Insert the replacement light assembly into the adapter until it locks into place. Follow the replacement light instructions to connect the wiring to the replacement light.





info@iq-parts.nl
Harsweg 34A
2461 EZ Ter Aar
T +31 252 624 126
The Netherlands