

iQ parts
IQ-PARTS-SHOP.COM



**SPECS &
INFORMATION**

SDC - Square Clips

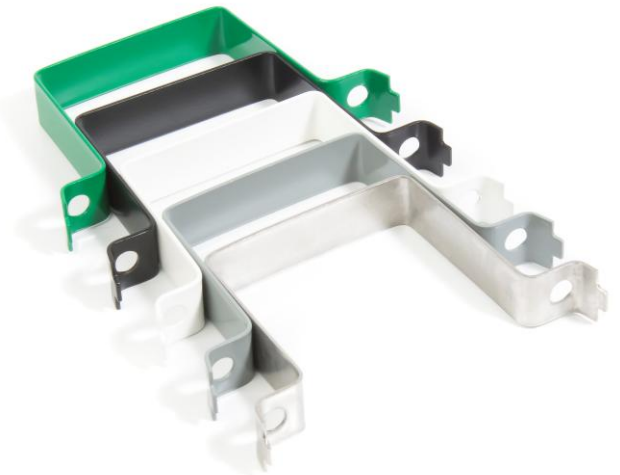
Our Square Clips are suitable for use with all types of sign channel and installed using 2x M8x38mm square head bolts, nuts and washers. Manufactured from Grade 304 stainless steel, these clips have been designed to suit square posts with dimensions 30mm - 150mm.

A safety backing strip is supplied with both the 120mm and 150mm Square Clips.

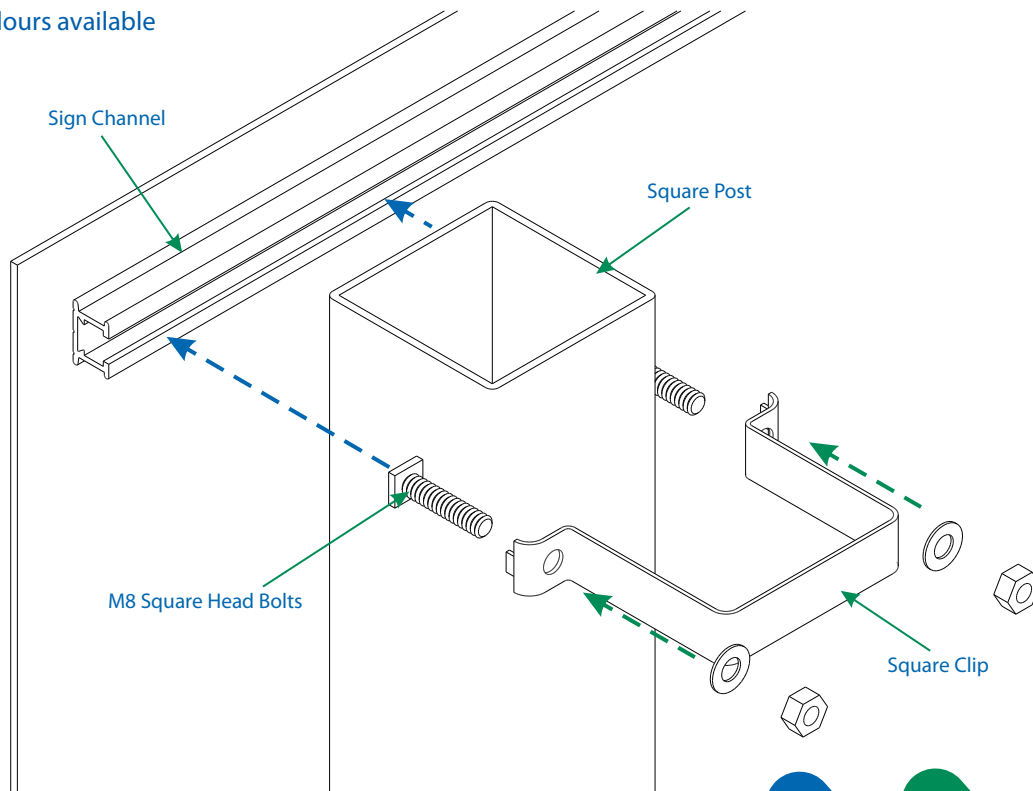
Our Square Clips are stocked in a range of colour options on certain sizes, with bespoke colours also available.

Key Facts

- 9 sizes available from stock
- Grade 304 Stainless Steel
- Available for next day delivery
- Clips over 100mm come with a Backing Strip
- Over 100 paint colours available

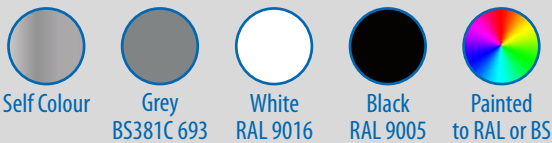


SDC - Square Clips in various colour options



Product Options

Finish Options



Raw Material

1.5 x 20mm - 1.8 x 25mm Grade 304 Stainless Steel

Bolt Type

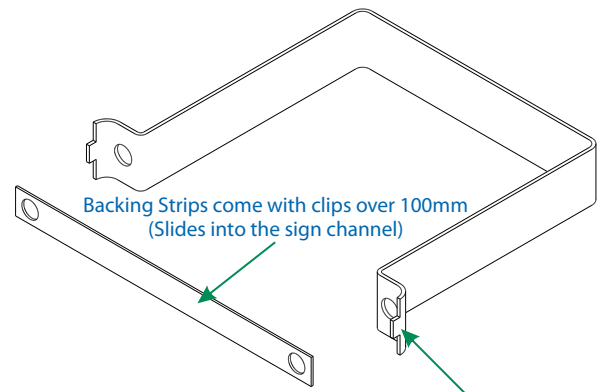
2x M8x38mm Square Head Bolts (per clip)

Size & Finish

SDC - SQUARE CLIPS					
* NUT, BOLT & WASHER OPTIONAL (FIXINGS) *					
SQ POST SIZE	COLOUR	CODE	MOQ	BACKING STRIP	STOCK
30mm	Self Colour	SDC030	100		✓
30mm	Painted	SDC030P	100		
40mm	Self Colour	SDC040	100		✓
40mm	Painted	SDC040P	100		
50mm	Self Colour	SDC050	100		✓
50mm	Grey	SDC050G	100		✓
50mm	White	SDC050W	100		✓
50mm	Black	SDC050B	100		✓
50mm	Painted	SDC050P	100		
60mm	Self Colour	SDC060	100		✓
60mm	Painted	SDC060P	100		
76mm	Self Colour	SDC076	100		✓
76mm	Grey	SDC076G	100		✓
76mm	White	SDC076W	100		✓
76mm	Black	SDC076B	100		✓
76mm	Painted	SDC076P	100		
80mm	Self Colour	SDC080	100		✓
80mm	Painted	SDC080P	100		
100mm	Self Colour	SDC100	50		✓
100mm	Grey	SDC100G	50		✓
100mm	White	SDC100W	50		✓
100mm	Black	SDC100B	50		✓
100mm	Painted	SDC100P	50		
120mm	Self Colour	SDC120	50	✓	✓
120mm	Painted	SDC120P	50	✓	
150mm	Self Colour	SDC150	50	✓	✓
150mm	Painted	SDC150P	50	✓	



Requires 2x M8x38mm Square head bolts with nuts & washers (per clip)
Clips larger than 100mm requires 1x Backing strip



Backing Strips come with clips over 100mm
(Slides into the sign channel)

Foot that sits on the top of the sign channel and then bolts into place

SDC - EXAMPLE

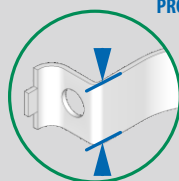


Full range of stock Square Clips (Complete with backing strip) in self colour

Do you require a special sized Square Clip?

If you require a non standard size or certain specification clip, please contact our experienced team, who will gladly assist with the bespoke manufacture of the clip that you require.

20mm OR 25mm



MINIMUM SIZE BEFORE PRODUCTION ADVICE IS REQUIRED

25mm

ANY SPECIAL SIZE AVAILABLE BETWEEN THESE SIZES

MAXIMUM SIZE BEFORE PRODUCTION ADVICE IS REQUIRED

500mm



info@iq-parts.nl
Harsweg 34A
2461 EZ Ter Aar
T +31 252 624 126
The Netherlands