

**iQ parts**  
IQ-PARTS-SHOP.COM



**SPECS &  
INFORMATION**

## MG5 - MG5 Brackets

Our MG5 Bracket is for post mounting a panel that has sign channel, using any banding method. The MG5 Bracket uses a specially manufactured ON8 plate that slides into the channel. The tapped hole on this plate acts as the nut to secure 1x M8x16mm hex head bolt that is passed through the centre of the MG5 Bracket.

Manufactured from Grade 304 stainless steel, our MG5 Bracket features formed edges that fit over the sign channel and prevents rotation of a panel once installed.

Our MG5 Brackets are stocked as self colour only but can be painted to a bespoke colour.

### Key Facts

- Grade 304 Stainless Steel
- Available for next day delivery
- Over 100 paint colours available



MG - MG5 Bracket complete with ON8 plate in self colour & painted options



MG - MG5 Bracket in self colour showing how the ON8 plate connects via the M8x16mm Hex Head Bolt

## Finish

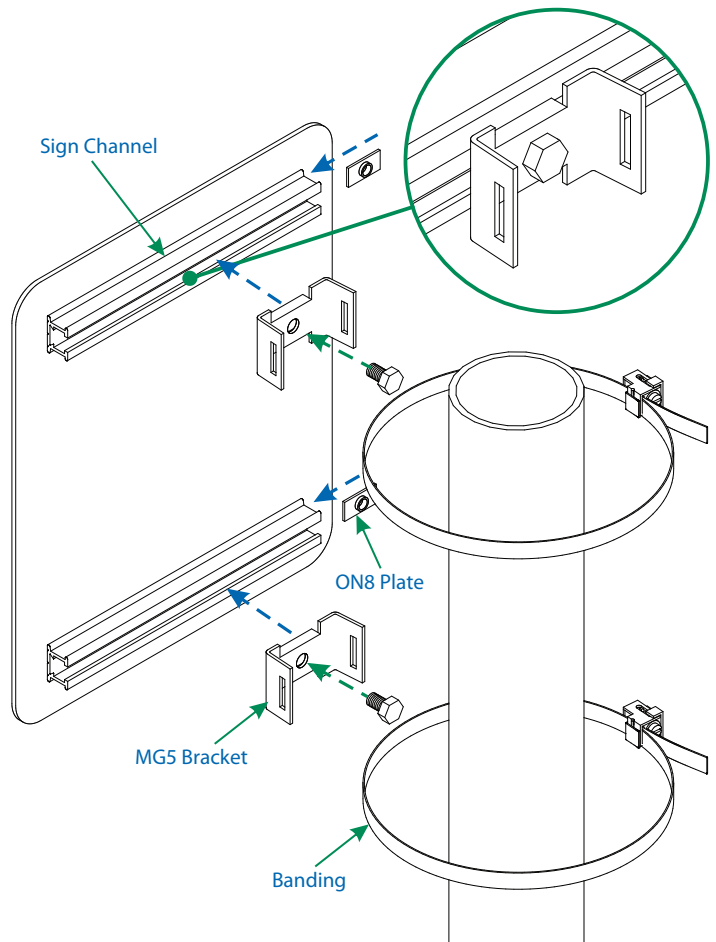
### MG - MG5 BRACKETS

\* BOLT & WASHER OPTIONAL (FIXINGS)\*

DESCRIPTION	COLOUR	GRADE	CODE	MOQ	STOCK
MG5 Bracket with ON8	Self Colour	304	MG5	100	✓
MG5 Bracket with ON8	Painted	304	MG5P	100	



Requires 1x M8x16mm Hex head bolt (per bracket)



## Product Options

### Finish Options



### Raw Material

2.0mm Grade 304 Stainless Steel

### Banding Requirement & Width

1x Banding up to 19mm (per bracket)

### Bolt Type

1x M8x16mm Hex Head Bolt (per bracket)



info@iq-parts.nl  
Harsweg 34A  
2461 EZ Ter Aar  
T +31 252 624 126  
The Netherlands