

iQ parts
IQ-PARTS-SHOP.COM



**SPECS &
INFORMATION**

MG4 - MG4 Brackets

Our MG4 Bracket is available in 3 different options, used to create a panel and post projecting system using 2x M8x16mm hex head bolts to connect the panel to the bracket. A banding system is required to fix the bracket to the post.

For the plain and ribbed options, the panel should be positioned between two brackets placed either side and bolted together. The panel can be bolted directly onto the welded option.

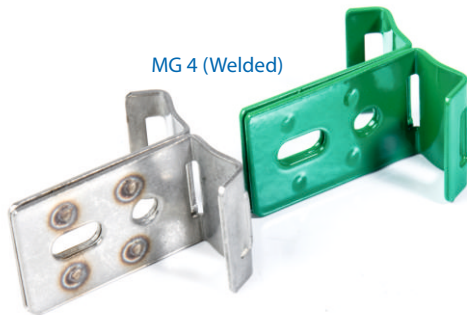
Our MG4 Brackets are manufactured from Grade 304 stainless steel and stocked as self colour only. Bespoke colours are available.

Key Facts

- 3 different designs Available (Ribbed, Plain and Welded)
- Grade 304 Stainless Steel
- Available for next day delivery
- Over 100 paint colours available



MG - MG4 Ribbed & Plain Bracket in self colour & painted options



MG - MG4 Welded Bracket in self colour & painted options

Type & Finish

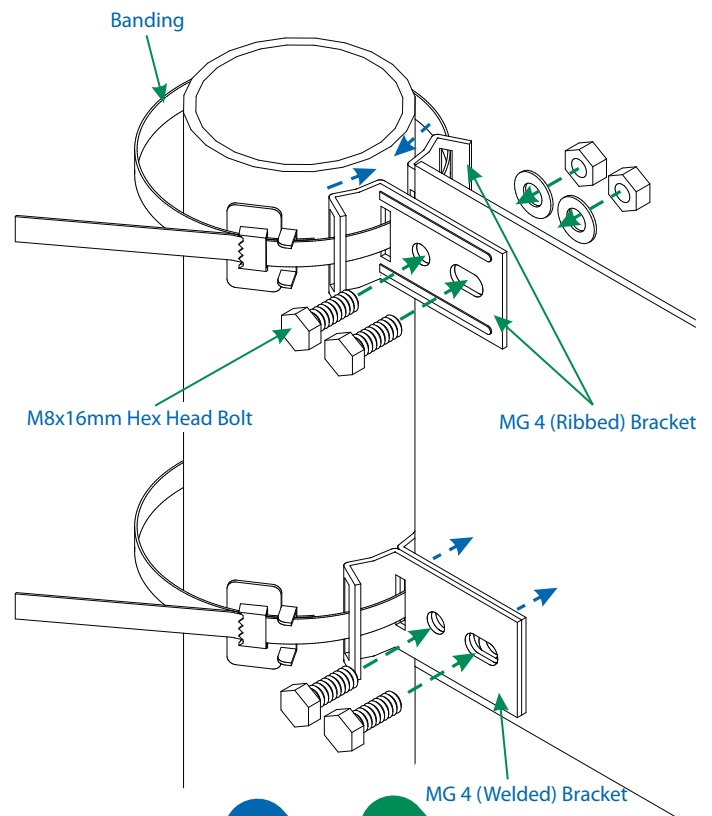
MG - MG4 BRACKETS

* NUT, BOLT & WASHER OPTIONAL (FIXINGS) *

DESCRIPTION	COLOUR	GRADE	CODE	MOQ	STOCK
MG4 Bracket (Ribbed)	Self Colour	304	MG4	100	✓
MG4 Bracket (Ribbed)	Painted	304	MG4P	100	
MG4 Bracket (Plain)	Self Colour	304	MG4S	100	✓
MG4 Bracket (Plain)	Painted	304	MG4SP	100	
MG4 Bracket (Welded)	Self Colour	304	MG4W	100	✓
MG4 Bracket (Welded)	Painted	304	MG4WP	100	



Requires 2x M8x16mm Hex head bolts with nut and washer (per bracket)



Product Options

Finish Options



Raw Material

2.0mm Grade 304 Stainless Steel

Banding Requirement & Width

1x Banding up to 19mm (per bracket)

Bolt Type

2x M8x16mm Hex Head Bolts (per bracket)



info@iq-parts.nl
Harsweg 34A
2461 EZ Ter Aar
T +31 252 624 126
The Netherlands