

**iQ parts**  
IQ-PARTS-SHOP.COM



**SPECS &  
INFORMATION**

## MG2 - MG2 Brackets

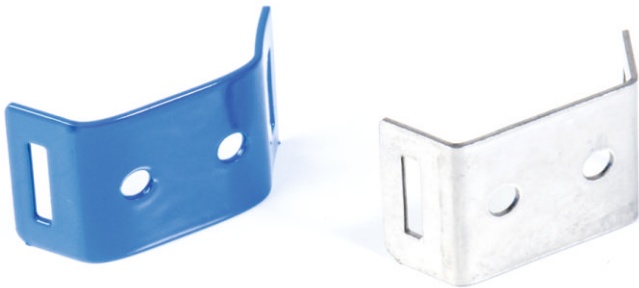
Our MG2 Bracket is for post mounting a panel/item using banding. The panel/item is rivetted through the punched holes on the bracket using the 2x 4.8mm dome head rivets, with the banding feeding through the bracket before being tensioned to the post.

Manufactured from Grade 304 stainless steel, the MG2 bracket is designed for mounting small panels, or light weight application only.

Our MG2 Brackets are stocked as self colour only but can be painted to a bespoke colour.

### Key Facts

- Grade 304 Stainless Steel
- Available for next day delivery
- Over 100 paint colours available



MG - MG2 Bracket in self colour & painted options

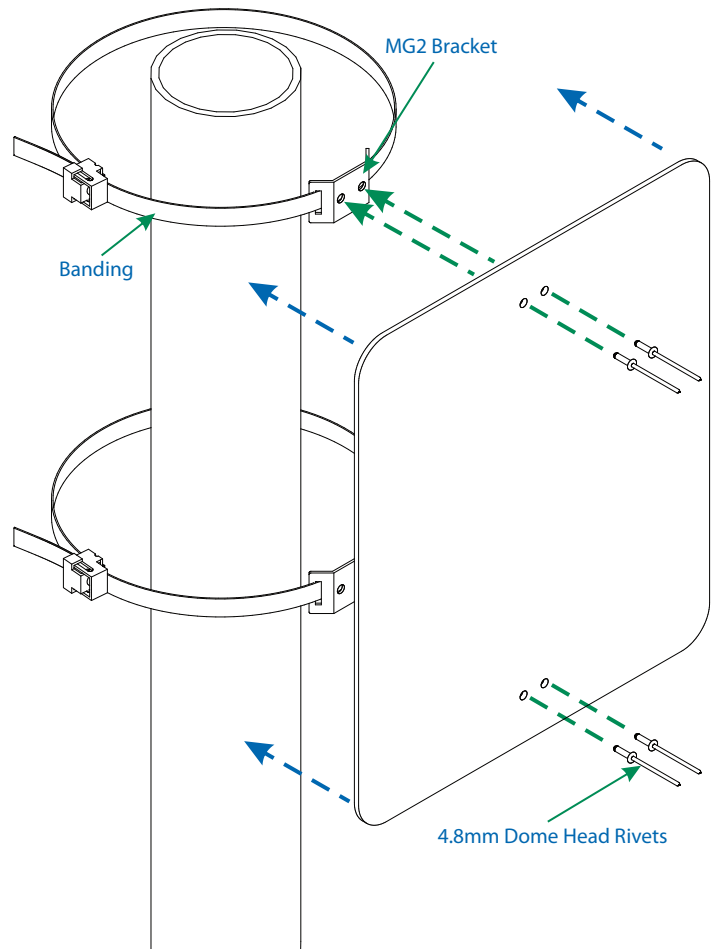
## Finish

### MG - MG2 BRACKETS

DESCRIPTION	COLOUR	GRADE	CODE	MOQ	STOCK
MG2 Bracket	Self Colour	304	MG2	100	✓
MG2 Bracket	Painted	304	MG2P	100	



Requires 2x 4.8mm Dome Head Rivets (per bracket)



## Product Options

### Finish Options



### Raw Material

1.2mm Grade 304 Stainless Steel

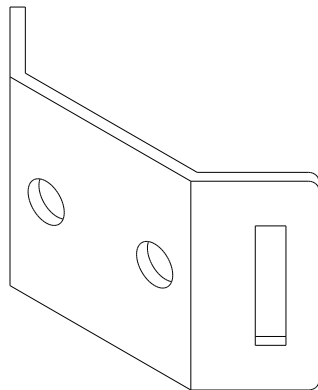
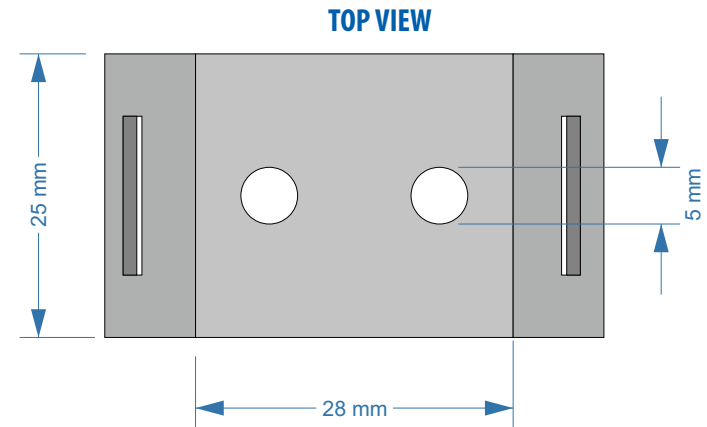
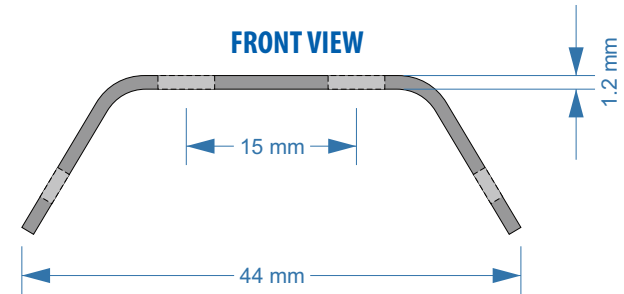
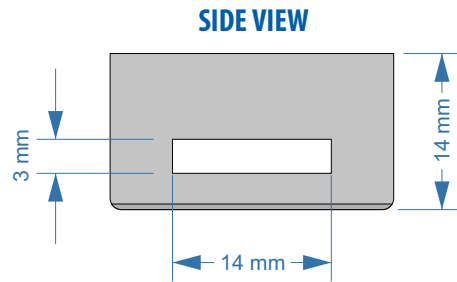
### Banding Requirement & Width

1x Banding up to 19mm (per bracket)

### Rivet Type

2x 4.8mm Dome Head Rivets (per bracket)

## MG - MG2 BRACKET (STAINLESS STEEL)



FINISH	CODE	STOCK	NON-STOCK
S/S (MILL)	MG2	•	
PAINTED	MG2P		•

### KEY INFO

**RAW MATERIAL:** 25.4mm x 1.2mm GRADE 304 STAINLESS STEEL

**BLANK LENGTH:** 54mm

**WEIGHT:** 0.013 KG

**FIXING TYPE REQUIRED:** 2x SMALL RIVETS

( RIVETS TO SUIT TWO 5mm HOLES )



info@iq-parts.nl  
Harsweg 34A  
2461 EZ Ter Aar  
T +31 252 624 126  
The Netherlands