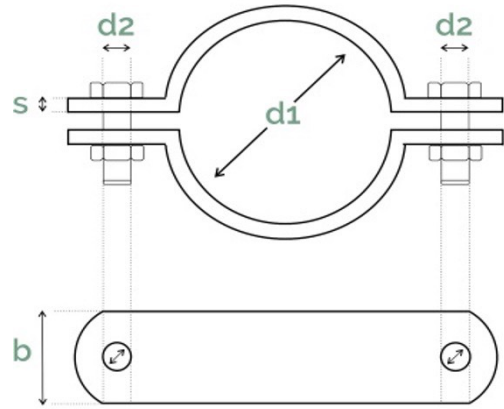


**iQparts**  
IQ-PARTS-SHOP.COM



**SPECS &  
INFORMATION**



Artikel Nr.	Beschreibung	b x s	Ø d1	DN	Inch	Qualität	Poliert	B/M	Ø d2	VE	KG/Stück
W5-7997	Halbe RS DIN3567	30x5mm	21.3mm		½	316	Nein	-	11.5mm	20	0.094
W5-8000	Halbe RS DIN3567	30x5mm	25.4mm			316	Nein	-	11.5mm	20	0.097
W5-8003	Halbe RS DIN3567	30x5mm	26.9mm		¾	316	Nein	-	11.5mm	20	0.105
W5-8006	Halbe RS DIN3567	30x5mm	30.0mm			316	Nein	-	11.5mm	20	0.11
W5-8009	Halbe RS DIN3567	30x5mm	33.7mm		1	316	Nein	-	11.5mm	20	0.116
W5-8012	Halbe RS DIN3567	30x5mm	38.1mm			316	Nein	-	11.5mm	20	0.118
W5-8015	Halbe RS DIN3567	30x5mm	42.4mm		1¼	316	Nein	-	11.5mm	20	0.133
W5-8018	Halbe RS DIN3567	30x5mm	45.0mm			316	Nein	-	11.5mm	20	0.136
W5-8021	Halbe RS DIN3567	30x5mm	48.3mm		1½	316	Nein	-	11.5mm	20	0.142
W5-8024	Halbe RS DIN3567	40x6mm	57.0mm			316	Nein	-	14mm	20	0.257
W5-8027	Halbe RS DIN3567	40x6mm	60.3mm		2	316	Nein	-	14mm	20	0.268
W5-8030	Halbe RS DIN3567	40x6mm	76.1mm		2½	316	Nein	-	14mm	20	0.314
W5-8033	Halbe RS DIN3567	40x6mm	88.9mm		3	316	Nein	-	14mm	20	0.383
W5-8036	Halbe RS DIN3567	50x8mm	108.0mm			316	Nein	-	18mm	oa'	0.74
W5-8039	Halbe RS DIN3567	50x8mm	114.3mm		4	316	Nein	-	18mm	oa'	0.774
W5-8042	Halbe RS DIN3567	50x8mm	133.0mm			316	Nein	-	18mm	oa'	0.742
W5-8045	Halbe RS DIN3567	50x8mm	139.0mm		5	316	Nein	-	18mm	oa'	0.886
W5-8048	Halbe RS DIN3567	50x8mm	159.0mm			316	Nein	-	18mm	oa'	0.974
W5-8051	Halbe RS DIN3567	50x8mm	168.3mm		6	316	Nein	-	18mm	oa'	1.026
W5-8054	Halbe RS DIN3567	50x8mm	191.0mm			316	Nein	-	18mm	oa'	1.115
W5-8057	Halbe RS DIN3567	50x8mm	194mm			316	Nein	-	18mm	oa'	1.122
W5-8060	Halbe RS DIN3567	50x8mm	216.0mm			316	Nein	-	18mm	oa'	1.243
W5-8063	Halbe RS DIN3567	50x8mm	219.1mm		8	316	Nein	-	18mm	oa'	1.256
W5-8066	Halbe RS DIN3567	60x8mm	267.0mm			316	Nein	-	23mm	oa'	1.889
W5-8069	Halbe RS DIN3567	60x8mm	273.0mm		10	316	Nein	-	23mm	oa'	1.904
W5-8072	Halbe RS DIN3567	60x8mm	318.0mm			316	Nein	-	23mm	oa'	2.19
W5-8075	Halbe RS DIN3567	60x8mm	323.9mm		12	316	Nein	-	23mm	oa'	2.2
W5-8078	Halbe RS DIN3567	60x8mm	356.0mm		14	316	Nein	-	23mm	oa'	2.44
W5-8081	Halbe RS DIN3567	60x8mm	368.0mm			316	Nein	-	23mm	oa'	2.51
W5-8084	Halbe RS DIN3567	70x10mm	406.0mm			316	Nein	-	27mm	oa'	4.01
W5-8087	Halbe RS DIN3567	70x10mm	419.0mm			316	Nein	-	27mm	oa'	4.198
W5-8089	Halbe RS DIN3567	70x10mm	508.0mm			316	Nein	-	27mm	oa'	4.835
W5-8093	Halbe RS DIN3567	70x10mm	521.0mm			316	Nein	-	27mm	oa'	4.963

1 VE Verpackungseinheit = 20 Stück

\* oder Angebot



info@iq-parts.nl  
Harsweg 34A  
2461 EZ Ter Aar  
T +31 252 624 126  
The Netherlands