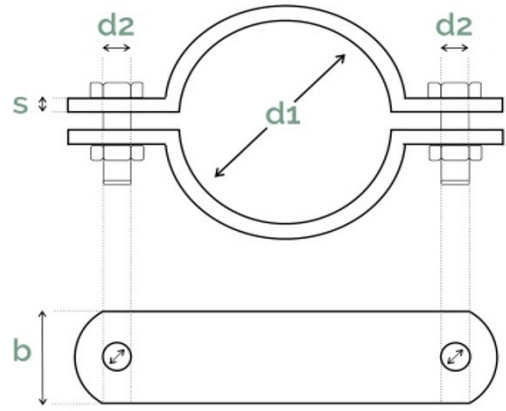


**iQparts**  
IQ-PARTS-SHOP.COM



**SPECS &  
INFORMATION**



Artikel Nr.	Beschreibung	b x s	Ø d1	DN	Inch	Qualität	Poliert	B/M	Ø d2	VE	KG/Piece
W4-7997	Halbe RS DIN3567	30x5mm	21.3mm		½	304	Nein	-	11.5mm	20	0.094
W4-8000	Halbe RS DIN3567	30x5mm	25.4mm			304	Nein	-	11.5mm	20	0.097
W4-8003	Halbe RS DIN3567	30x5mm	26.9mm		¾	304	Nein	-	11.5mm	20	0.105
W4-8006	Halbe RS DIN3567	30x5mm	30.0mm			304	Nein	-	11.5mm	20	0.11
W4-8009	Halbe RS DIN3567	30x5mm	33.7mm		1	304	Nein	-	11.5mm	20	0.116
W4-8012	Halbe RS DIN3567	30x5mm	38.1mm			304	Nein	-	11.5mm	20	0.118
W4-8015	Halbe RS DIN3567	30x5mm	42.4mm		1¼	304	Nein	-	11.5mm	20	0.133
W4-8018	Halbe RS DIN3567	30x5mm	45.0mm			304	Nein	-	11.5mm	20	0.136
W4-8021	Halbe RS DIN3567	30x5mm	48.3mm		1½	304	Nein	-	11.5mm	20	0.142
W4-8024	Halbe RS DIN3567	40x6mm	57.0mm			304	Nein	-	14mm	20	0.257
W4-8027	Halbe RS DIN3567	40x6mm	60.3mm		2	304	Nein	-	14mm	20	0.268
W4-8030	Halbe RS DIN3567	40x6mm	76.1mm		2½	304	Nein	-	14mm	20	0.314
W4-8033	Halbe RS DIN3567	40x6mm	88.9mm		3	304	Nein	-	14mm	20	0.383
W4-8036	Halbe RS DIN3567	50x8mm	108.0mm			304	Nein	-	18mm	oa*	0.74
W4-8039	Halbe RS DIN3567	50x8mm	114.3mm		4	304	Nein	-	18mm	oa*	0.774
W4-8042	Halbe RS DIN3567	50x8mm	133.0mm			304	Nein	-	18mm	oa*	0.742
W4-8045	Halbe RS DIN3567	50x8mm	139.0mm		5	304	Nein	-	18mm	oa*	0.886
W4-8048	Halbe RS DIN3567	50x8mm	159.0mm			304	Nein	-	18mm	oa*	0.974
W4-8051	Halbe RS DIN3567	50x8mm	168.3mm		6	304	Nein	-	18mm	oa*	1.026
W4-8054	Halbe RS DIN3567	50x8mm	191mm			304	Nein	-	18mm	oa*	1.115
W4-8057	Halbe RS DIN3567	50x8mm	194mm			304	Nein	-	18mm	oa*	1.122
W4-8060	Halbe RS DIN3567	50x8mm	216.0mm			304	Nein	-	18mm	oa*	1.243
W4-8063	Halbe RS DIN3567	50x8mm	219.1mm		8	304	Nein	-	18mm	oa*	1.256
W4-8066	Halbe RS DIN3567	60x8mm	267.0mm			304	Nein	-	23mm	oa*	1.889
W4-8069	Halbe RS DIN3567	60x8mm	273.0mm		10	304	Nein	-	23mm	oa*	1.904
W4-8072	Halbe RS DIN3567	60x8mm	318.0mm			304	Nein	-	23mm	oa*	2.19
W4-8075	Halbe RS DIN3567	60x8mm	323.9mm		12	304	Nein	-	23mm	oa*	2.2
W4-8078	Halbe RS DIN3567	60x8mm	356.0mm		14	304	Nein	-	23mm	oa*	2.44
W4-8081	Halbe RS DIN3567	60x8mm	368.0mm			304	Nein	-	23mm	oa*	2.51
W4-8084	Halbe RS DIN3567	70x10mm	406.0mm			304	Nein	-	27mm	oa*	4.01
W4-8087	Halbe RS DIN3567	70x10mm	419.0mm			304	Nein	-	27mm	oa*	4.198
W4-8089	Halbe RS DIN3567	70x10mm	508.0mm			304	Nein	-	27mm	oa*	4.835
W4-8093	Halbe RS DIN3567	70x10mm	521.0mm			304	Nein	-	27mm	oa*	4.963

1 VE Verpackungseinheit = 20 Stück

\* oder Angebot





info@iq-parts.nl  
Harsweg 34A  
2461 EZ Ter Aar  
T +31 252 624 126  
The Netherlands