

**iQ parts**  
IQ-PARTS-SHOP.COM



**SPECS &  
INFORMATION**

## Wing Nut Threaded Blind Insert

Cod.	D	d	d1	d2	H	h1	P	Peso Weight gr	U.V.
B1GC3004	30	04MA	14	12	16	6	8	6	20
B1GC3005	30	05MA	14	12	16	6	10	6,5	20
B1GC3006	30	06MA	14	12	16	6	12	7	20
B1GC3008	30	08MA	14	12	16	6	11	7,5	20
B1GC5005	50	05MA	18	16	22	10	10	12,5	20
B1GC5006	50	06MA	18	16	22	10	12	13	20
B1GC5008	50	08MA	18	16	22	10	11	13,5	20
B1GC5010	50	10MA	18	16	22	10	16	15	20

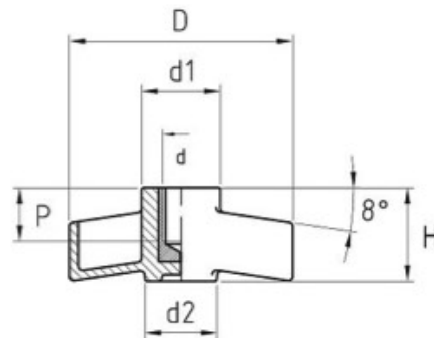
### Product specification

#### Main Part Material:

Black fiberglass-reinforced technopolymer, resistant to solvents, oils, greases (PA)

#### Metal and/or Fastening part:

Brass insert, threaded blind hole







info@iq-parts.nl  
Harsweg 34A  
2461 EZ Ter Aar  
T +31 252 624 126  
The Netherlands