

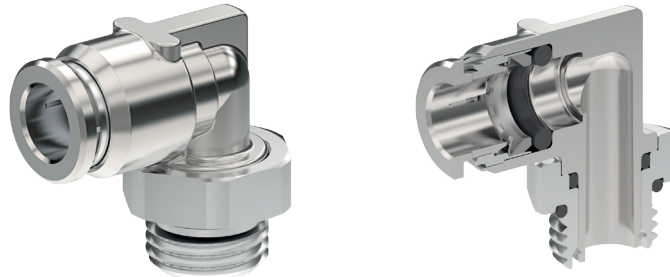
**iQ parts**  
IQ-PARTS-SHOP.COM



**SPECS &  
INFORMATION**

## ELSA Fittings Stainless Steel AISI 316L (1.4404) (Push-in)

ELSA the Established push-in connector from AVS Römer



### Stainless steel version

Operating pressure Technical vacuum up to maximum pressure as stated in the respective specification table under PN. Temperature range 0 °C to +200 °C (for restrictions see specification table)

### Application

ELSA push-in fittings made of stainless steel 1.4404 are used in particular for aggressive gases and liquid media under harsh operating conditions. These push-in fittings are equipped with FDA-compliant FKM sealing rings as standard, on request, these are also available with FDA-compliant EPDM sealing rings approved according to the UBA elastomer guidelines.

## CHARACTERISTICS

### BODY MATERIAL / SUITABILITY

<b>Stainless steel AISI 316L</b>	Corresponds to <b>1.4404 stainless steel</b> . Suitable for many aggressive media, in particular at higher pressures. The FKM seal is FDA-compliant and can be used in the food and pharmaceutical industries.
<b>Other materials</b>	see relevant products
<b>Approval</b>	NSF/ANSI 169

### TUBE

<b>Outside diameter [mm]</b>	4, 6 and 8	10, 12
<b>Permitted tolerance [mm]</b>	±0.1	±0.15
<b>Permitted grades</b>	Polyamide (PA), polyurethane (PU), fluorine polymer (FEP and PFA)	

### THREAD

<b>External thread</b>	"M" cylindrical thread: Metric ISO thread M5
<b>External thread</b>	"G" cylindrical thread: Whitworth pipe thread DIN ISO 228-1 G 1/8 up to G 3/8
<b>External thread</b>	"R" conical thread: Whitworth pipe thread DIN 2999-1 and ISO 7/1 R 1/8 up to R 1/2. Designed for pairing with internal thread according to DIN ISO 228-1.
<b>Internal thread</b>	"G" cylindrical thread: Whitworth pipe thread DIN ISO 228-1 G 1/8 up to G 1/2

### OPERATING PRESSURE / TEMPERATURE

<b>Metal version</b>	<table border="1"> <tr> <td>PN</td> <td>T<sub>min</sub></td> <td>0 °C</td> </tr> <tr> <td>20</td> <td>T<sub>max</sub></td> <td>+140 °C</td> </tr> </table>	PN	T <sub>min</sub>	0 °C	20	T <sub>max</sub>	+140 °C	Means that the allowable operating pressure OP corresponds to the given nominal pressure PN in the specified temperature range "T". Can be loaded up to 200 °C for a short time (see information on data sheet)
PN	T <sub>min</sub>	0 °C						
20	T <sub>max</sub>	+140 °C						
<b>Allowable operating pressure and operating temperature of pipe/tube must be observed!</b>								

### THREAD SEAL

<b>Cylindrical threaded nipple</b>	Thread seal FKM O-ring	applies to all cylindrical threaded nipples
<b>Conical threaded nipple</b>	Seal with Teflon tape winding (FDA-compliant) on request	

### "ROTATABLE" VERSION

<b>90° elbow- and T- adaptor, male</b>	not suitable for rotating or oscill. movements	Some types of fittings rotate 360° in order to facilitate alignment during assembly.
--	--	--

### SPECIAL VERSIONS (NOT INCLUDED IN THE CATALOG)

We also manufacture ELSA push-in fittings in various customer-specific versions.

- other O-ring materials such as EPDM, FDA-compliant
- for pipe/tube with inch dimensions
- threaded connection, metric
- Versions according to ASTM G93 and EN ISO 15001 for oxygen use
- PVDF/PPSU release ring

## Straight Double Stem Connector

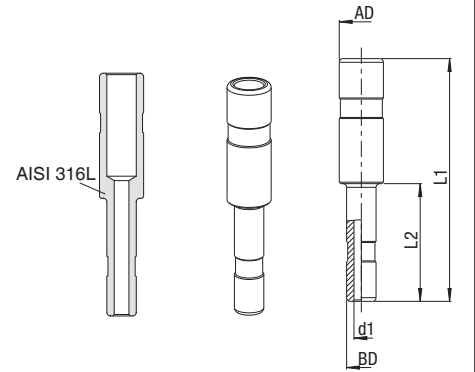
Price group **13** PN 20  $T_{min}$  -40 °C  $T_{max}$  +200 °C



Stainless steel  
AISI 316L

Connection AD	Connection BD	d1	L1	L2	Weight in [g]	Type	Order number	Price
6	4	2	33	16	3.3	904X4-D6-D4	283852	o. r.
6	6	4	34.5	-	4.2	904X4-D6	283853	o. r.
8	6	4	37.5	18	6.5	904X4-D8-D6	283858	o. r.
8	8	6	37.5	-	6.2	904X4-D8	283854	o. r.
10	8	6	45.5	18	10.9	904X4-D10-D8	283859	o. r.
10	10	8	45.5	-	9.7	904X4-D10	283857	o. r.
12	10	8	50	24	14	904X4-D12-D10	283860	o. r.
12	12	10	50	-	14.2	904X4-D12	283861	o. r.

## Illustration



## Straight Bulkhead Connector

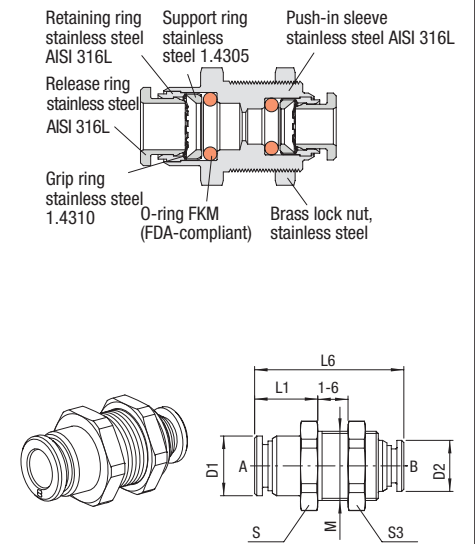
Price group **13** PN 20  $T_{min}$  0 °C  $T_{max}$  +140 °C



Stainless steel  
AISI 316L

for tube AD	for tube BD	M	L1	L6	D1	D2	S	S3	Weight in [g]	Type	Order number	Price
4	4	M12x1	12.3	31.1	9.8	9.8	14	17	20.4	959X44-4FF	385410	o. r.
6	6	M14x1	13.7	32.7	11.8	11.8	17	17	26.2	959X44-6FF	385411	o. r.
8	8	M16x1	16.5	36.7	13.8	13.8	19	19	35.1	959X44-8FF	385412	o. r.
10	10	M20x1	20.8	41.9	16.4	16.4	22	24	55.9	959X44-10FF	385413	o. r.
12	12	M22x1,5	22.3	45.6	19.8	19.8	24	27	87.6	959X44-12FF	385414	o. r.

## Illustration



## Straight Bulkhead Adaptor - Female

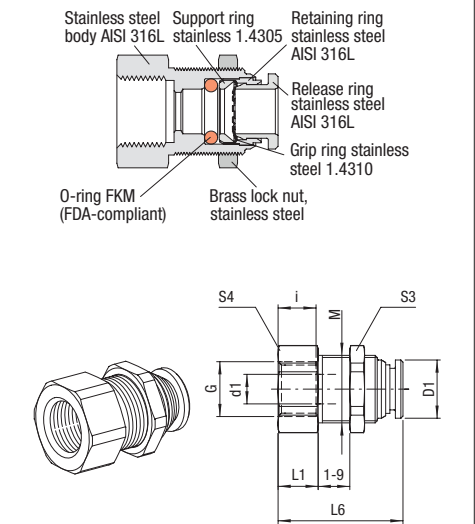
Price group **13** PN 20  $T_{min}$  0 °C  $T_{max}$  +140 °C Thread cylindrical



Stainless steel  
AISI 316L

for tube D	G	M	L1	i	L6	d1	D1	S4	S3	Weight in [g]	Type	Order number	Price
4	G 1/8	M12x1	6,5	7	25,3	3	9,8	14	17	19,4	945X44-4FF-1/8	385351	o. r.
4	G 1/4	M14x1	12,5	9	31,3	3	9,8	17	17	33,1	945X44-4FF-1/4	385352	o. r.
6	G 1/8	M14x1	6,5	7	25,5	5	11,8	17	17	25,5	945X44-6FF-1/8	385353	o. r.
6	G 1/4	M14x1	12	9	31	5	11,8	17	17	30,8	945X44-6FF-1/4	385354	o. r.
6	G 3/8	M14x1	13	10	32	5	11,8	19	17	31,5	945X44-6FF-3/8	385355	o. r.
8	G 1/8	M16x1	7	7	27,2	7	13,8	19	19	34,9	945X44-8FF-1/8	385356	o. r.
8	G 1/4	M16x1	9,5	9	29,7	7	13,8	19	19	36,1	945X44-8FF-1/4	385357	o. r.
8	G 3/8	M16x1	12	10	32,2	7	13,8	19	19	34,1	945X44-8FF-3/8	385358	o. r.
10	G 1/4	M20x1	12	9	33,1	9	16,4	22	24	64,4	945X44-10FF-1/4	385359	o. r.
10	G 3/8	M20x1	13	10	34,1	9	16,4	22	24	60	945X44-10FF-3/8	385360	o. r.
10	G 1/2	M20x1	16,5	13	37,6	9	16,4	24	24	64,9	945X44-10FF-1/2	385361	o. r.
12	G 1/4	M22x1,5	13	9	35,8	10	19,8	24	27	88,3	945X44-12FF-1/4	385362	o. r.
12	G 3/8	M22x1,5	13,2	10	36	10	19,8	24	27	82	945X44-12FF-3/8	385363	o. r.
12	G 1/2	M22x1,5	16,7	13	39,5	10	19,8	24	27	78,7	945X44-12FF-1/2	385364	o. r.

## Illustration





info@iq-parts.nl  
Harsweg 34A  
2461 EZ Ter Aar  
T +31 252 624 126  
The Netherlands