

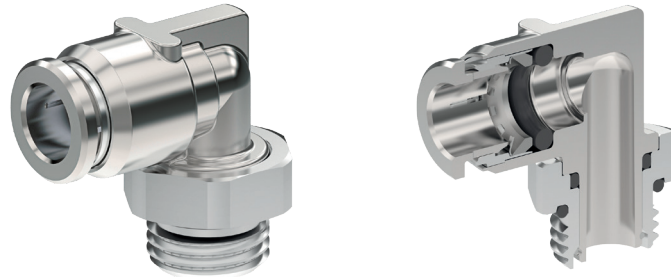
**iQ parts**  
IQ-PARTS-SHOP.COM



**SPECS &  
INFORMATION**

## ELSA Fittings Stainless Steel AISI 316L (1.4404) (Push-in)

ELSA the Established push-in connector from AVS Römer



### Stainless steel version

Operating pressure Technical vacuum up to maximum pressure as stated in the respective specification table under PN. Temperature range 0 °C to +200 °C (for restrictions see specification table)

### Application

ELSA push-in fittings made of stainless steel 1.4404 are used in particular for aggressive gases and liquid media under harsh operating conditions. These push-in fittings are equipped with FDA-compliant FKM sealing rings as standard, on request, these are also available with FDA-compliant EPDM sealing rings approved according to the UBA elastomer guidelines.

## CHARACTERISTICS

### BODY MATERIAL / SUITABILITY

<b>Stainless steel AISI 316L</b>	Corresponds to <b>1.4404 stainless steel</b> . Suitable for many aggressive media, in particular at higher pressures. The FKM seal is FDA-compliant and can be used in the food and pharmaceutical industries.
<b>Other materials</b>	see relevant products
<b>Approval</b>	NSF/ANSI 169

### TUBE

<b>Outside diameter [mm]</b>	4, 6 and 8	10, 12
<b>Permitted tolerance [mm]</b>	±0.1	±0.15
<b>Permitted grades</b>	Polyamide (PA), polyurethane (PU), fluorine polymer (FEP and PFA)	

### THREAD

<b>External thread</b>	"M" cylindrical thread: Metric ISO thread M5
<b>External thread</b>	"G" cylindrical thread: Whitworth pipe thread DIN ISO 228-1 G 1/8 up to G 3/8
<b>External thread</b>	"R" conical thread: Whitworth pipe thread DIN 2999-1 and ISO 7/1 R 1/8 up to R 1/2. Designed for pairing with internal thread according to DIN ISO 228-1.
<b>Internal thread</b>	"G" cylindrical thread: Whitworth pipe thread DIN ISO 228-1 G 1/8 up to G 1/2

### OPERATING PRESSURE / TEMPERATURE

<b>Metal version</b>	<table border="1"> <tr> <td>PN</td> <td>T<sub>min</sub></td> <td>0 °C</td> </tr> <tr> <td>20</td> <td>T<sub>max</sub></td> <td>+140 °C</td> </tr> </table>	PN	T <sub>min</sub>	0 °C	20	T <sub>max</sub>	+140 °C	Means that the allowable operating pressure OP corresponds to the given nominal pressure PN in the specified temperature range "T". Can be loaded up to 200 °C for a short time (see information on data sheet)
PN	T <sub>min</sub>	0 °C						
20	T <sub>max</sub>	+140 °C						
<b>Allowable operating pressure and operating temperature of pipe/tube must be observed!</b>								

### THREAD SEAL

<b>Cylindrical threaded nipple</b>	Thread seal FKM O-ring applies to all cylindrical threaded nipples
<b>Conical threaded nipple</b>	Seal with Teflon tape winding (FDA-compliant) on request

### "ROTATABLE" VERSION

<b>90° elbow- and T- adaptor, male</b>	not suitable for rotating or oscill. movements	Some types of fittings rotate 360° in order to facilitate alignment during assembly.
--	--	--

### SPECIAL VERSIONS (NOT INCLUDED IN THE CATALOG)

We also manufacture ELSA push-in fittings in various customer-specific versions.

- other O-ring materials such as EPDM, FDA-compliant
- for pipe/tube with inch dimensions
- threaded connection, metric
- Versions according to ASTM G93 and EN ISO 15001 for oxygen use
- PVDF/PPSU release ring

## T-Adaptor - Male

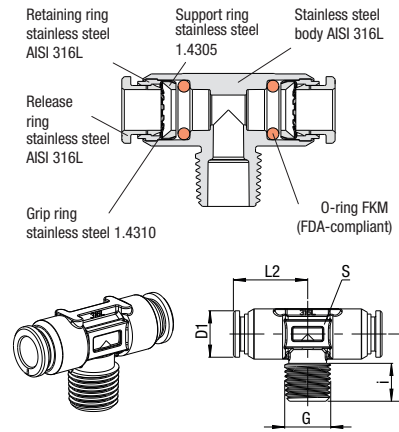
Price group	<b>13</b>	PN	20	T <sub>min</sub>	0 °C	T <sub>max</sub>	+140 °C	Thread	conical
-------------	-----------	----	----	------------------	------	------------------	---------	--------	---------



Stainless steel  
AISI 316L

for tube D	G	i	L2	L3	D1	S	Weight in [g]	Type	Order number	Price
4	R 1/8	7.5	16.8	14.4	10.5	8	15.2	941X44M-4FF-1/8K	385305	o. r.
4	R 1/4	10.5	16.8	17.4	10.5	8	20	941X44M-4FF-1/4K	385306	o. r.
6	R 1/8	7.5	18.4	15.4	12.5	8	20.4	941X44M-6FF-1/8K	385307	o. r.
6	R 1/4	10.5	18.5	18.4	12.5	9	25.4	941X44M-6FF-1/4K	385308	o. r.
8	R 1/8	7.5	20.2	16.4	14.5	12	29.2	941X44M-8FF-1/8K	385309	o. r.
8	R 1/4	10.5	21.5	19.4	14.5	12	34.3	941X44M-8FF-1/4K	385310	o. r.
8	R 3/8	11	21.4	19.9	14.5	12	38.8	941X44M-8FF-3/8K	385311	o. r.
10	R 1/4	10.5	24	20.7	17	14	47.9	941X44M-10FF-1/4K	385312	o. r.
10	R 3/8	11	24.9	21.2	17	14	52.4	941X44M-10FF-3/8K	385313	o. r.
10	R 1/2	14	24.9	24.2	17	14	62.6	941X44M-10FF-1/2K	385314	o. r.
12	R 1/4	10.5	26.8	22.4	20.5	17	71.6	941X44M-12FF-1/4K	385315	o. r.
12	R 3/8	11	27.8	22.9	20.5	17	74.6	941X44M-12FF-3/8K	385316	o. r.
12	R 1/2	14	27.8	25.9	20.5	17	84.5	941X44M-12FF-1/2K	385317	o. r.

## Illustration



## T-Adaptor - Male - Positionable

Price group	<b>13</b>	PN	16	T <sub>min</sub>	0 °C	T <sub>max</sub>	+140 °C	Thread	cylindrical
-------------	-----------	----	----	------------------	------	------------------	---------	--------	-------------

Thread sealed by a  
FKM O-Ring in recess

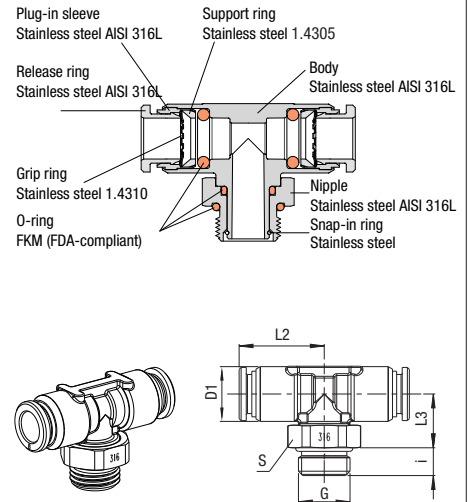
not suitable for rotating  
or oscill. movement



Stainless steel  
AISI 316L

for tube D	G	i	L2	L3	D1	S	Weight in [g]	Type	Order number	Price
4	M 5	3.5	16.6	11.1	10.5	8	15.7	921X44M-4FF-M5	385121	o. r.
4	G 1/8	5	17.3	11.5	10.5	13	19.8	921X44M-4FF-1/8	385122	o. r.
4	G 1/4	7	17.3	11.6	10.5	17	26.3	921X44M-4FF-1/4	385123	o. r.
6	M 5	3.5	17.6	12.1	12.5	8	19.9	921X44M-6FF-M5	385124	o. r.
6	G 1/8	5	18.3	12.4	12.5	13	24.2	921X44M-6FF-1/8	385125	o. r.
6	G 1/4	7	19.5	12.7	12.5	17	31.8	921X44M-6FF-1/4	385126	o. r.
6	G 3/8	8	22.2	13.1	12.5	19	42.5	921X44M-6FF-3/8	385127	o. r.
8	G 1/8	5	20.2	13.4	14.5	13	30.7	921X44M-8FF-1/8	385128	o. r.
8	G 1/4	7	21.5	13.6	14.5	17	38.1	921X44M-8FF-1/4	385129	o. r.
8	G 3/8	8	22.4	13.9	14.5	19	45.6	921X44M-8FF-3/8	385130	o. r.
10	G 1/4	7	24	14.9	17	17	50.7	921X44M-10FF-1/4	385131	o. r.
10	G 3/8	8	24.9	15.3	17	19	56.8	921X44M-10FF-3/8	385132	o. r.
10	G 1/2	9	24.9	16.3	17	24	76.9	921X44M-10FF-1/2	385133	o. r.
12	G 1/4	7	25.8	16.6	20.5	17	70.7	921X44M-12FF-1/4	385134	o. r.
12	G 3/8	8	26.8	17	20.5	19	77.5	921X44M-12FF-3/8	385135	o. r.
12	G 1/2	9	26.8	18	20.5	24	97.7	921X44M-12FF-1/2	385136	o. r.

## Illustration



## T-Straight-Stem

Price group	<b>13</b>	PN	16	T <sub>min</sub>	0 °C	T <sub>max</sub>	+140 °C	Thread	cylindrical
-------------	-----------	----	----	------------------	------	------------------	---------	--------	-------------

Thread sealed by a  
FKM O-Ring in recess

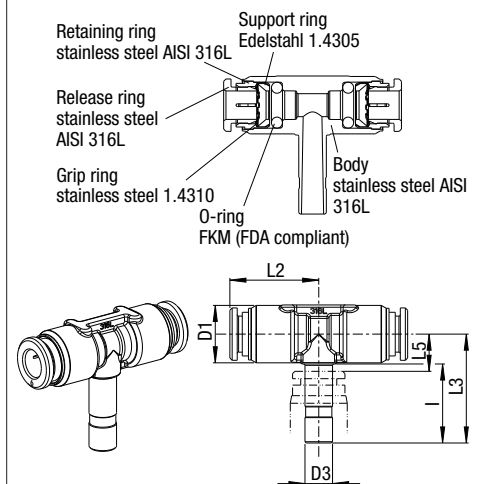
not suitable for rotating  
or oscill. movement



Stainless steel  
AISI 316L

for tube D	i	L2	L3	L5	D1	D3	Weight in [g]	Type	Order number	Price
4	16.3	17.3	21.8	7	10.5	4	13.7	912X44M-4FF-D4	385265	o. r.
6	17.2	19	23.7	8	12.5	6	19.8	912X44M-6FF-D6	385268	o. r.
8	19.1	22.3	26.6	9	14.5	8	29.9	912X44M-8FF-D8	385270	o. r.
10	21.6	25.8	30.4	10	17	10	44.8	912X44M-10FF-D10	385272	o. r.
12	23.5	28.8	34	12	20.5	12	69.4	912X44M-12FF-D12	385274	o. r.

## Illustration





info@iq-parts.nl  
Harsweg 34A  
2461 EZ Ter Aar  
T +31 252 624 126  
The Netherlands