

**iQ parts**  
IQ-PARTS-SHOP.COM



**SPECS &  
INFORMATION**

## ELSA Fittings PVDF (Push-in)

ELSA the Established push-in connector from AVS Römer



### PVDF version

Operating pressure Technical vacuum up to maximum pressure as stated in the respective specification table under OP. Temperature range 0 °C to +120 °C (for restrictions see specification table)

### Application


ELSA push-in fittings made of PVDF, due to their very high chemical resistance even at high temperatures, are mainly used in the chemical industries. These push-in fittings are equipped with FDA-compliant FKM sealing rings as standard, on request, these are also available with FDA-compliant EPDM sealing rings approved according to the UBA elastomer guidelines.

## CHARACTERISTICS

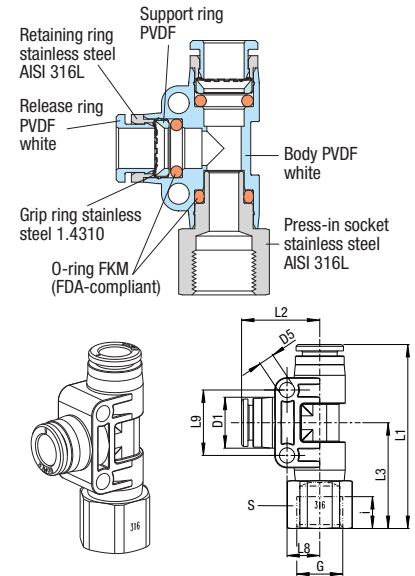
### BODY MATERIAL / SUITABILITY

<b>Plastic PVDF</b>	<b>Polyvinylidene fluoride.</b> Suitable for many aggressive media. The FKM sealing ring is FDA-compliant and can be used in the food and pharmaceutical industries.	
<b>Other materials</b>	see relevant products	
<b>Approval</b>	NSF/ANSI 169, PVDF body conforms to KTW-BWGL	
<b>TUBE</b>		
<b>Outside diameter [mm]</b>	4, 6 and 8	10, 12
<b>Permitted tolerance [mm]</b>	±0.1	±0.15
<b>Permitted grades</b>	Polyamide (PA), polyurethane (PU), fluorine polymer (FEP and PFA)	
<b>THREAD</b>		
<b>External thread</b>	"M" cylindrical thread: Metric ISO thread M5	
<b>External thread</b>	"G" cylindrical thread: Whitworth pipe thread DIN ISO 228-1 G 1/8 up to G 3/8	
<b>Internal thread</b>	"G" cylindrical thread: Whitworth pipe thread DIN ISO 228-1 G 1/8 up to G 1/4	
<b>OPERATING PRESSURE / TEMPERATURE</b>		
<b>Plastic version</b>	Max. Operating pressure OP at the stated ambient temp. and medium temp. according to table	Means that the allowable operating pressure OP within the allowable ambient temperature also depends on the medium temperature in accordance with the specification table.
<b>Allowable operating pressure and operating temperature of pipe/tube must be observed!</b>		
<b>THREAD SEAL</b>		
<b>Cylindrical threaded nipple</b>	Thread sealed by a FKM O-Ring in recess	applies to all cylindrical threaded nipples
<b>"ROTATABLE" VERSION</b>		
<b>90° elbow-, T- and Y-adaptors, male</b>	not suitable for rotating or oscill. movements	Some types of fittings rotate 360° in order to facilitate alignment during assembly.
<b>SPECIAL VERSIONS (NOT INCLUDED IN THE CATALOG)</b>		
We also manufacture ELSA push-in fittings in various customer-specific versions. <ul style="list-style-type: none"> <li>• other O-ring materials such as EPDM, FDA-compliant</li> <li>• for pipes/tubes with inch dimensions</li> <li>• "R" conical threaded fitting</li> <li>• Execution according to ASTM G93 or EN ISO 15001 for oxygen use</li> </ul>		


### Side T-Adaptor - Female - Positionable

Price group	<b>12</b>	Max. allow. OP at ambient temp. $T_{min} 0\text{ }^{\circ}\text{C}, T_{max} +60\text{ }^{\circ}\text{C}$			Thread cylindrical	not suitable for rotating or oscill. movement									<b>Plastic PVDF</b>	
for tube D	G	Max. allow. OP [bar] at medium temp.			i	L1	L2	L3	L8	L9	D1	D5	S	Weight in [g]	Type	Order number
		20 °C	100 °C	120 °C												
4	G 1/8	16	10	3	6.5	42.9	18.6	24.3	8.2	16.5	12.4	4.3	13	19.9	923V-4FF-1/8	367810
4	G 1/4	16	10	3	9	45.9	18.6	27.3	8.2	16.5	12.4	4.3	17	28.3	923V-4FF-1/4	367811
6	G 1/8	16	10	3	6.5	43.3	19	24.3	8.2	16.5	12.4	4.3	13	19.9	923V-6FF-1/8	367812
6	G 1/4	16	10	3	9	46.3	19	27.3	8.2	16.5	12.4	4.3	17	28.3	923V-6FF-1/4	367813
8	G 1/8	16	8	3	6.5	48.3	22.1	25.2	9.2	18.5	14.4	4.3	17	29.9	923V-8FF-1/8	367814
8	G 1/4	16	8	3	9	53.5	22.1	31.4	9.2	18.5	14.4	4.3	17	32	923V-8FF-1/4	367815

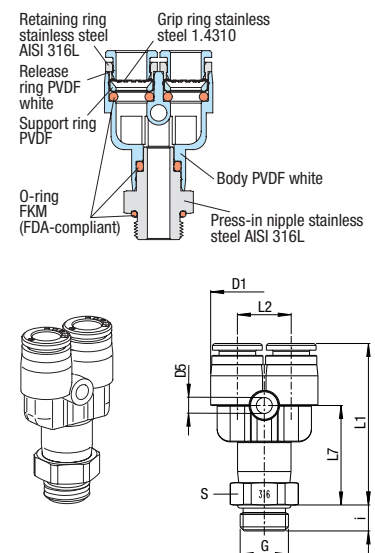
### Illustration



### Y-Adaptor - Male - Positionable

Price group	<b>12</b>	Max. allow. OP at ambient temp. $T_{min} 0\text{ }^{\circ}\text{C}, T_{max} +60\text{ }^{\circ}\text{C}$			Thread cylindrical	Thread sealed by a FKM O-Ring in recess		not suitable for rotating or oscill. movement						<b>Plastic PVDF</b>
for tube D	G	Max. allow. OP [bar] at medium temp.			i	L1	L2	L7	D1	D5	S	Weight in [g]	Type	Order number
		20 °C	100 °C	120 °C										
4	G 1/8	16	10	3	5	37.9	12.5	23.3	12.4	3.3	13	19.1	992V-4FF-1/8	367456
4	G 1/4	16	10	3	7	38.4	12.5	23.8	12.5	3.3	17	28	992V-4FF-1/4	367457
6	G 1/8	16	10	3	5	38.3	12.5	23.3	12.4	3.3	13	19.6	992V-6FF-1/8	367462
6	G 1/4	16	10	3	7	38.8	12.5	23.8	12.4	3.3	17	28.3	992V-6FF-1/4	367463
8	G 1/8	16	8	3	5	43	14.5	26.3	14.4	4.3	14	24.1	992V-8FF-1/8	367466
8	G 1/4	16	8	3	7	43.5	14.5	26.8	14.5	4.3	17	31.9	992V-8FF-1/4	367467
8	G 3/8	16	8	3	8	43.5	14.5	26.8	14.5	4.3	19	40.2	992V-8FF-3/8	367468
10	G 1/4	12	6	3	7	48.9	17	30.7	17.2	4.3	17	38.6	992V-10FF-1/4	367471
10	G 3/8	12	6	3	8	48.9	17	30.7	17.2	4.3	19	47.1	992V-10FF-3/8	367472
12	G 1/4	12	6	3	7	55	20.5	35	21	4.3	22	65.1	992V-12FF-1/4	367474
12	G 3/8	12	6	3	8	55	20.5	35	21	4.3	22	74.1	992V-12FF-3/8	367475

### Illustration





info@iq-parts.nl  
Harsweg 34A  
2461 EZ Ter Aar  
T +31 252 624 126  
The Netherlands