

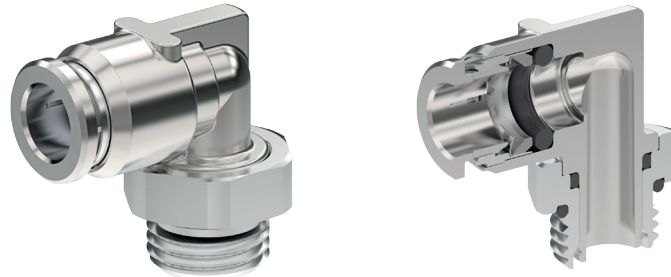
iQ parts
IQ-PARTS-SHOP.COM



**SPECS &
INFORMATION**

ELSA Fittings Stainless Steel AISI 316L (1.4404) (Push-in)

ELSA the Established push-in connector from AVS Römer



Stainless steel version

Operating pressure Technical vacuum up to maximum pressure as stated in the respective specification table under PN. Temperature range 0 °C to +200 °C (for restrictions see specification table)

Application

ELSA push-in fittings made of stainless steel 1.4404 are used in particular for aggressive gases and liquid media under harsh operating conditions. These push-in fittings are equipped with FDA-compliant FKM sealing rings as standard, on request, these are also available with FDA-compliant EPDM sealing rings approved according to the UBA elastomer guidelines.

CHARACTERISTICS

BODY MATERIAL / SUITABILITY

Stainless steel AISI 316L	Corresponds to 1.4404 stainless steel . Suitable for many aggressive media, in particular at higher pressures. The FKM seal is FDA-compliant and can be used in the food and pharmaceutical industries.
Other materials	see relevant products
Approval	NSF/ANSI 169

TUBE

Outside diameter [mm]	4, 6 and 8	10, 12
Permitted tolerance [mm]	±0.1	±0.15
Permitted grades	Polyamide (PA), polyurethane (PU), fluorine polymer (FEP and PFA)	

THREAD

External thread	"M" cylindrical thread: Metric ISO thread M5
External thread	"G" cylindrical thread: Whitworth pipe thread DIN ISO 228-1 G 1/8 up to G 3/8
External thread	"R" conical thread: Whitworth pipe thread DIN 2999-1 and ISO 7/1 R 1/8 up to R 1/2. Designed for pairing with internal thread according to DIN ISO 228-1.
Internal thread	"G" cylindrical thread: Whitworth pipe thread DIN ISO 228-1 G 1/8 up to G 1/2

OPERATING PRESSURE / TEMPERATURE

Metal version	<table border="1"> <tr> <td>PN</td> <td>T_{min}</td> <td>0 °C</td> </tr> <tr> <td>20</td> <td>T_{max}</td> <td>+140 °C</td> </tr> </table>	PN	T _{min}	0 °C	20	T _{max}	+140 °C	Means that the allowable operating pressure OP corresponds to the given nominal pressure PN in the specified temperature range "T". Can be loaded up to 200 °C for a short time (see information on data sheet)
PN	T _{min}	0 °C						
20	T _{max}	+140 °C						
Allowable operating pressure and operating temperature of pipe/tube must be observed!								

THREAD SEAL

Cylindrical threaded nipple	Thread seal FKM O-ring	applies to all cylindrical threaded nipples
Conical threaded nipple	Seal with Teflon tape winding (FDA-compliant) on request	

"ROTATABLE" VERSION

90° elbow- and T- adaptor, male	not suitable for rotating or oscill. movements	Some types of fittings rotate 360° in order to facilitate alignment during assembly.
--	--	--

SPECIAL VERSIONS (NOT INCLUDED IN THE CATALOG)

We also manufacture ELSA push-in fittings in various customer-specific versions.

- other O-ring materials such as EPDM, FDA-compliant
- for pipe/tube with inch dimensions
- threaded connection, metric
- Versions according to ASTM G93 and EN ISO 15001 for oxygen use
- PVDF/PPSU release ring

Side T-Adaptor - Male - Positionable

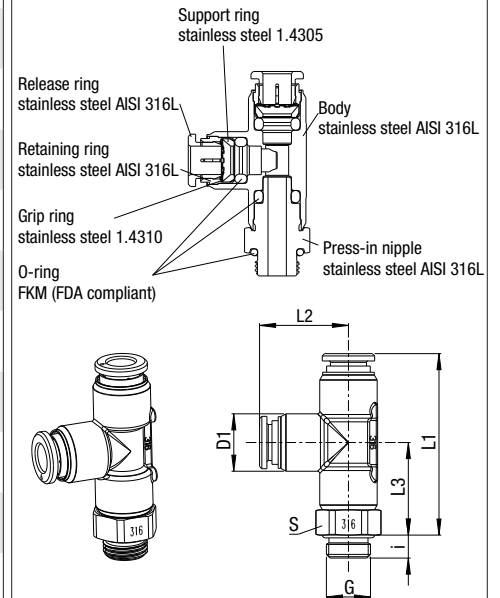
Price group **13** PN 20 T_{min} 0 °C T_{max} +140 °C



Stainless steel
AISI 316L

for tube D	G	L1	L2	L3	D1	S	i	Weight in [g]	Type	Order number	Price
4	G1/8	35	17	18	10,5	13	5	25,2	922X44M-4FF-1/8	385280	a. A.
4	G1/4	36	17	19	10,5	17	7	35,5	922X44M-4FF-1/4	385281	a. A.
6	G1/8	40	19	20	12,5	13	5	32,4	922X44M-6FF-1/8	385282	a. A.
6	G1/4	39	19	20	12,5	17	7	41,2	922X44M-6FF-1/4	385283	a. A.
6	G3/8	39	19	20	12,5	19	8	-	922X44M-6FF-3/8	385284	a. A.
8	G1/8	43,1	22	21	14,5	15	6	42,6	922X44M-8FF-1/8	385285	a. A.
8	G1/4	45	22	22	14,5	17	7	49,9	922X44M-8FF-1/4	385286	a. A.
8	G3/8	45	22	22	14,5	19	8	58,8	922X44M-8FF-3/8	385287	a. A.
10	G1/4	51	26	25	17	17	7	64,4	922X44M-10FF-1/4	385288	a. A.
10	G3/8	52	26	26	17	19	8	73,7	922X44M-10FF-3/8	385289	a. A.
10	G1/2	53	26	27	17	24	9	91,8	922X44M-10FF-1/2	385290	a. A.
12	G1/4	57	29	28	20,5	22	8	101,2	922X44M-12FF-1/4	385291	a. A.
12	G3/8	57	29	28	20,5	22	9	104,4	922X44M-12FF-3/8	385292	a. A.
12	G1/2	59	29	30	20,5	24	9	119,3	922X44M-12FF-1/2	385293	a. A.

Illustration



Straight Connector

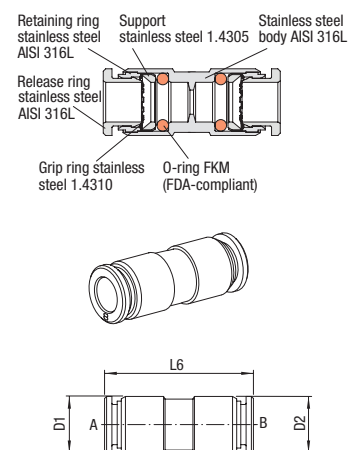
Price group **13** PN 20 T_{min} 0 °C T_{max} +140 °C



Stainless steel
AISI 316L

for tube AD	for tube BD	L6	D1	D2	Weight in [g]	Type	Order number	Price
4	4	31	9.8	9.8	10.2	958X44-4FF	385161	o. r.
4	6	33	9.8	11.8	11.2	958X44-6-4FF	385162	o. r.
6	6	33	11.8	11.8	10.4	958X44-6FF	385163	o. r.
6	8	35	11.8	13.8	18.7	958X44-8-6FF	385164	o. r.
8	8	36.7	13.8	13.8	17.7	958X44-8FF	385165	o. r.
8	10	40	13.8	16.4	24.5	958X44-10-8FF	385166	o. r.
10	10	41.7	16.4	16.4	27.3	958X44-10FF	385167	o. r.
10	12	46	16.4	19.8	39.8	958X44-12-10FF	385168	o. r.
12	12	45.6	19.8	19.8	49	958X44-12FF	385169	o. r.

Illustration





info@iq-parts.nl
Harsweg 34A
2461 EZ Ter Aar
T +31 252 624 126
The Netherlands