

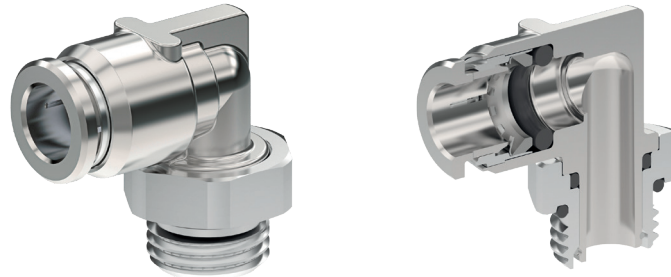
iQ parts
IQ-PARTS-SHOP.COM



**SPECS &
INFORMATION**

ELSA Fittings Stainless Steel AISI 316L (1.4404) (Push-in)

ELSA the Established push-in connector from AVS Römer



Stainless steel version

Operating pressure Technical vacuum up to maximum pressure as stated in the respective specification table under PN. Temperature range 0 °C to +200 °C (for restrictions see specification table)

Application

ELSA push-in fittings made of stainless steel 1.4404 are used in particular for aggressive gases and liquid media under harsh operating conditions. These push-in fittings are equipped with FDA-compliant FKM sealing rings as standard, on request, these are also available with FDA-compliant EPDM sealing rings approved according to the UBA elastomer guidelines.

CHARACTERISTICS

BODY MATERIAL / SUITABILITY

Stainless steel AISI 316L	Corresponds to 1.4404 stainless steel . Suitable for many aggressive media, in particular at higher pressures. The FKM seal is FDA-compliant and can be used in the food and pharmaceutical industries.
Other materials	see relevant products
Approval	NSF/ANSI 169

TUBE

Outside diameter [mm]	4, 6 and 8	10, 12
Permitted tolerance [mm]	±0.1	±0.15
Permitted grades	Polyamide (PA), polyurethane (PU), fluorine polymer (FEP and PFA)	

THREAD

External thread	"M" cylindrical thread: Metric ISO thread M5
External thread	"G" cylindrical thread: Whitworth pipe thread DIN ISO 228-1 G 1/8 up to G 3/8
External thread	"R" conical thread: Whitworth pipe thread DIN 2999-1 and ISO 7/1 R 1/8 up to R 1/2. Designed for pairing with internal thread according to DIN ISO 228-1.
Internal thread	"G" cylindrical thread: Whitworth pipe thread DIN ISO 228-1 G 1/8 up to G 1/2

OPERATING PRESSURE / TEMPERATURE

Metal version	<table border="1"> <tr> <td>PN</td> <td>T_{min}</td> <td>0 °C</td> </tr> <tr> <td>20</td> <td>T_{max}</td> <td>+140 °C</td> </tr> </table>	PN	T _{min}	0 °C	20	T _{max}	+140 °C	Means that the allowable operating pressure OP corresponds to the given nominal pressure PN in the specified temperature range "T". Can be loaded up to 200 °C for a short time (see information on data sheet)
PN	T _{min}	0 °C						
20	T _{max}	+140 °C						
Allowable operating pressure and operating temperature of pipe/tube must be observed!								

THREAD SEAL

Cylindrical threaded nipple	Thread seal FKM O-ring applies to all cylindrical threaded nipples
Conical threaded nipple	Seal with Teflon tape winding (FDA-compliant) on request

"ROTATABLE" VERSION

90° elbow- and T- adaptor, male	not suitable for rotating or oscill. movements	Some types of fittings rotate 360° in order to facilitate alignment during assembly.
--	--	--

SPECIAL VERSIONS (NOT INCLUDED IN THE CATALOG)

We also manufacture ELSA push-in fittings in various customer-specific versions.

- other O-ring materials such as EPDM, FDA-compliant
- for pipe/tube with inch dimensions
- threaded connection, metric
- Versions according to ASTM G93 and EN ISO 15001 for oxygen use
- PVDF/PPSU release ring

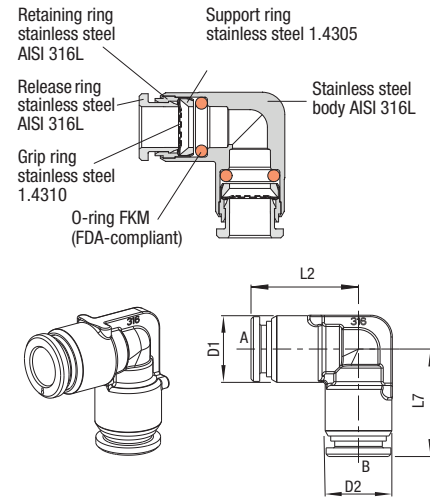
90° Elbow Connector

Price group **13** PN 20 T_{min} 0 °C T_{max} +140 °C

 **Stainless steel AISI 316L**

for tube AD	for tube BD	L2	L7	D1	D2	Weight in [g]	Type	Order number	Price
4	4	17.5	17.5	10.5	10.5	12.2	955X44M-4FF	385141	o. r.
6	6	19.4	19.4	12.5	12.5	17.6	955X44M-6FF	385142	o. r.
8	8	22.3	22.3	14.5	14.5	24.7	955X44M-8FF	385143	o. r.
10	10	25.8	25.8	17	17	37.2	955X44M-10FF	385144	o. r.
12	12	28.8	28.8	20.5	20.5	57.4	955X44M-12FF	385145	o. r.

Illustration



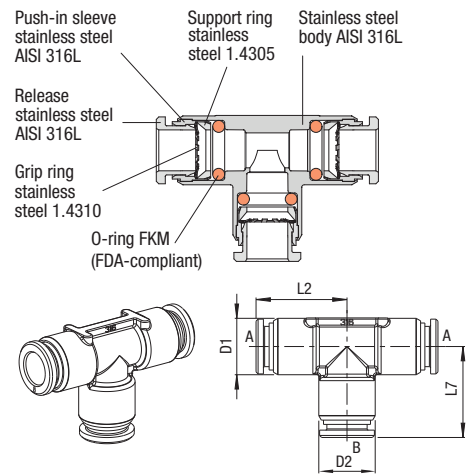
T-Connector

Price group **13** PN 20 T_{min} 0 °C T_{max} +140 °C

 **Stainless steel AISI 316L**

for tube AD	for tube BD	L2	L7	D1	D2	Weight in [g]	Type	Order number	Price
4	4	17.5	17.5	10.5	10.5	17.1	954X44M-4FF	385151	o. r.
6	6	19.4	19.4	12.5	12.5	24.3	954X44M-6FF	385152	o. r.
8	8	22.3	22.3	14.5	14.5	34.1	954X44M-8FF	385153	o. r.
10	10	25.8	25.8	17	17	51.4	954X44M-10FF	385154	o. r.
12	12	28.8	28.8	20.5	20.5	79.6	954X44M-12FF	385155	o. r.

Illustration



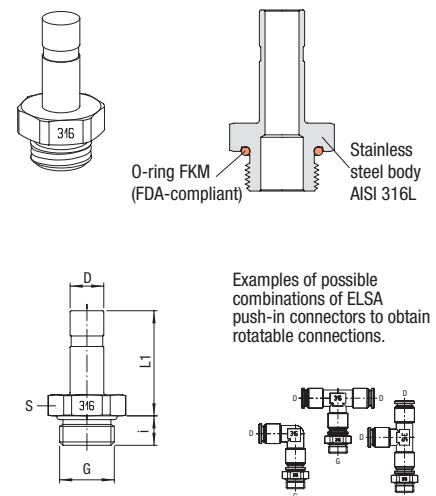
Straight Stem Adaptor

Price group **13** PN 20 T_{min} -20 °C T_{max} +140 °C Thread cylindrical Thread sealed by a FKM O-Ring in recess

 **Stainless steel AISI 316L**

connection D	G	i	L1	S	Weight in [g]	Type	Order number	Price
4	M 5	3.5	21.5	8	2.99	908X4-4FF-M5	383805	o. r.
4	G 1/8	5	21.5	13	6.5	908X4-4FF-1/8	383806	o. r.
4	G 1/4	7	22	17	12.9	908X4-4FF-1/4	383807	o. r.
6	M 5	3.5	21.5	8	3.8	908X4-6FF-M5	383811	o. r.
6	G 1/8	5	22.5	13	8.5	908X4-6FF-1/8	383812	o. r.
6	G 1/4	7	23	17	16.6	908X4-6FF-1/4	383813	o. r.
6	G 3/8	8	25	19	23	908X4-6FF-3/8	383814	o. r.
8	G 1/8	5	24.5	13	8	908X4-8FF-1/8	383816	o. r.
8	G 1/4	7	25	17	15.8	908X4-8FF-1/4	383817	o. r.
8	G 3/8	8	25	19	25.4	908X4-8FF-3/8	383818	o. r.
10	G 1/4	7	29	17	15.9	908X4-10FF-1/4	383821	o. r.
10	G 3/8	8	29	19	23.4	908X4-10FF-3/8	383822	o. r.
10	G 1/2	9	29.5	24	33.5	908X4-10FF-1/2	383823	o. r.
12	G 1/4	7	31	17	24.3	908X4-12FF-1/4	383824	o. r.
12	G 3/8	8	31	19	26.3	908X4-12FF-3/8	383825	o. r.
12	G 1/2	9	31.5	24	38.1	908X4-12FF-1/2	383826	o. r.

Illustration





info@iq-parts.nl
Harsweg 34A
2461 EZ Ter Aar
T +31 252 624 126
The Netherlands